

1) PER RAPPRESENTAZIONE DIMA CONTROPARTE VEDERE FOGLIO 2 DI 2.  
 (FOR COUNTERPART DETAIL SEE SHEET 2 OF 2)

VERDE (GREEN)	PA 6.6 CAR.VETRO (PA 6.6 G.F.)	C	282080-3
GRIGIO (GREY)		C	282080-2
NERO (BLACK)		C	282080-1
FINITURA / COLORE (FINISH / COLOUR)	MATERIALE (MATERIAL)	REV.	NUMERO (PART NUMBER)

**CUSTOMER DWG. FOR REFERENCE ONLY**      **DISEGNO PER CLIENTE SOLO PER RIFERIMENTO**

-THIS DRAWING IS UNPUBLISHED-      RELEASE FOR PUBLICATION      19  
 © COPYRIGHT 19 BY AMP INCORPORATED, HARRISBURG, PA. ALL INTERNATIONAL RIGHT RESERVED. AMP PRODUCTS MAY BE COVERED BY U.S. AND FOREIGN PATENT AND/OR PATENT PENDING

C3	REVISED PER ET00-0008-04	P.Z. Coli	
C2	REVISED BY ET00-0092-00	R.M. 4-4	
C1	REVISED BY ET00-0072-98	M.P. 7-4	
C	UP-DATED ET00-0490-97	10-1	
B	UP DATED ET00-0266-96	C.B. 6-6	
A	ADDED TRUE POS.TOL. (SHEET 2 OF 2) ET00-0125-94	C B 4	
4	AGGIORNATO	C B 10	
3	AGGIUNTO PN. ...-2	C B 2	
2	MODIFIED	C B 91	
REV. (REV./LIT.)	REVISIONI (REVISION RECORD)	DIS. (DR)	DATA (DATE)

TOLLERANZE, SE NON DIVERSAMENTE SPECIFICATO (TOLERANCES, UNLESS OTHERWISE SPECIFIED)	DIAM. ISOLANTE (INS. DIA. RANGE)	RANGO FILO (WIRE RANGE)	SCALA (SCALE)
± 0.3	-	-	-

ANGOLI (ANGLES) ± 2°  
**AMP**      **AMP ITALIA S.p.A.**  
 Corso F.lli Cervi, 15  
 COLLEGNO (TORINO)

DIS. (DR.)      7-90      DESCRIZIONE (DESCRIPTION)      2 POS.PLUG ASS'Y  
 C.BERTINI  
 CONT. (CHK)      AMP SUPERSEAL 1.5 SERIES CONNECTORS

LOC.	SIZE	NUMERO (DWG NO)	REV.	FOGLIO (SHEET)
I	A3	C-282080	C3	1 DI (OF) 2

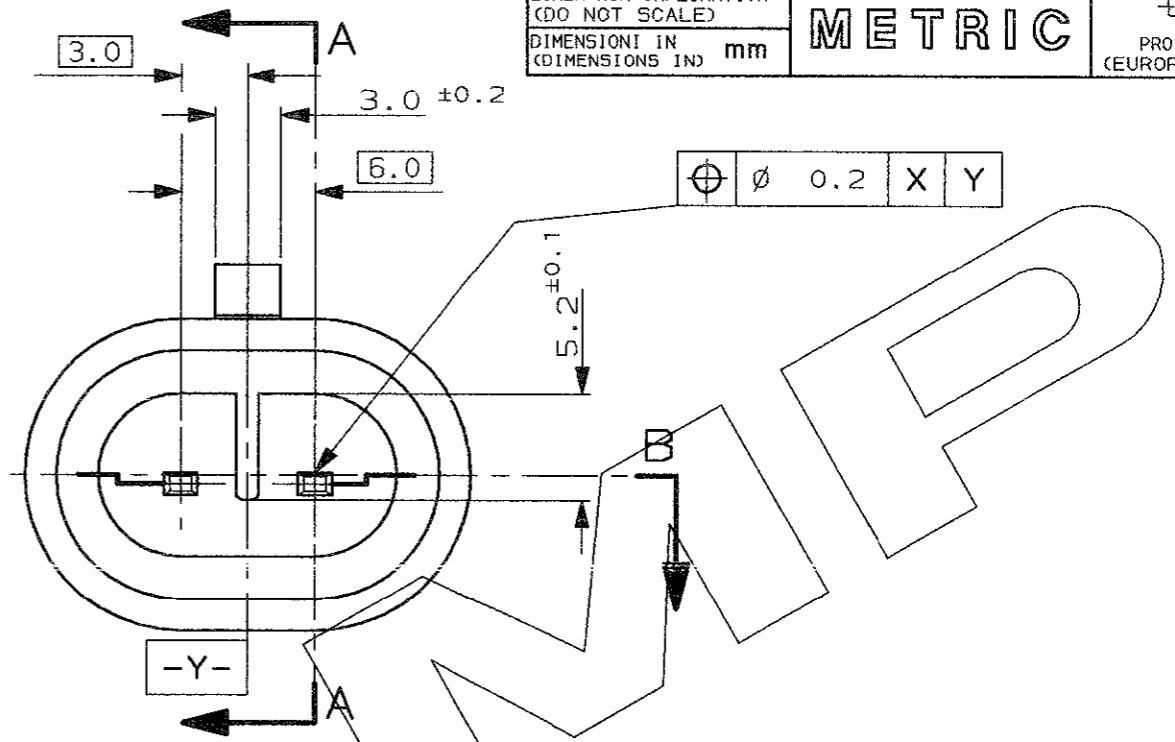
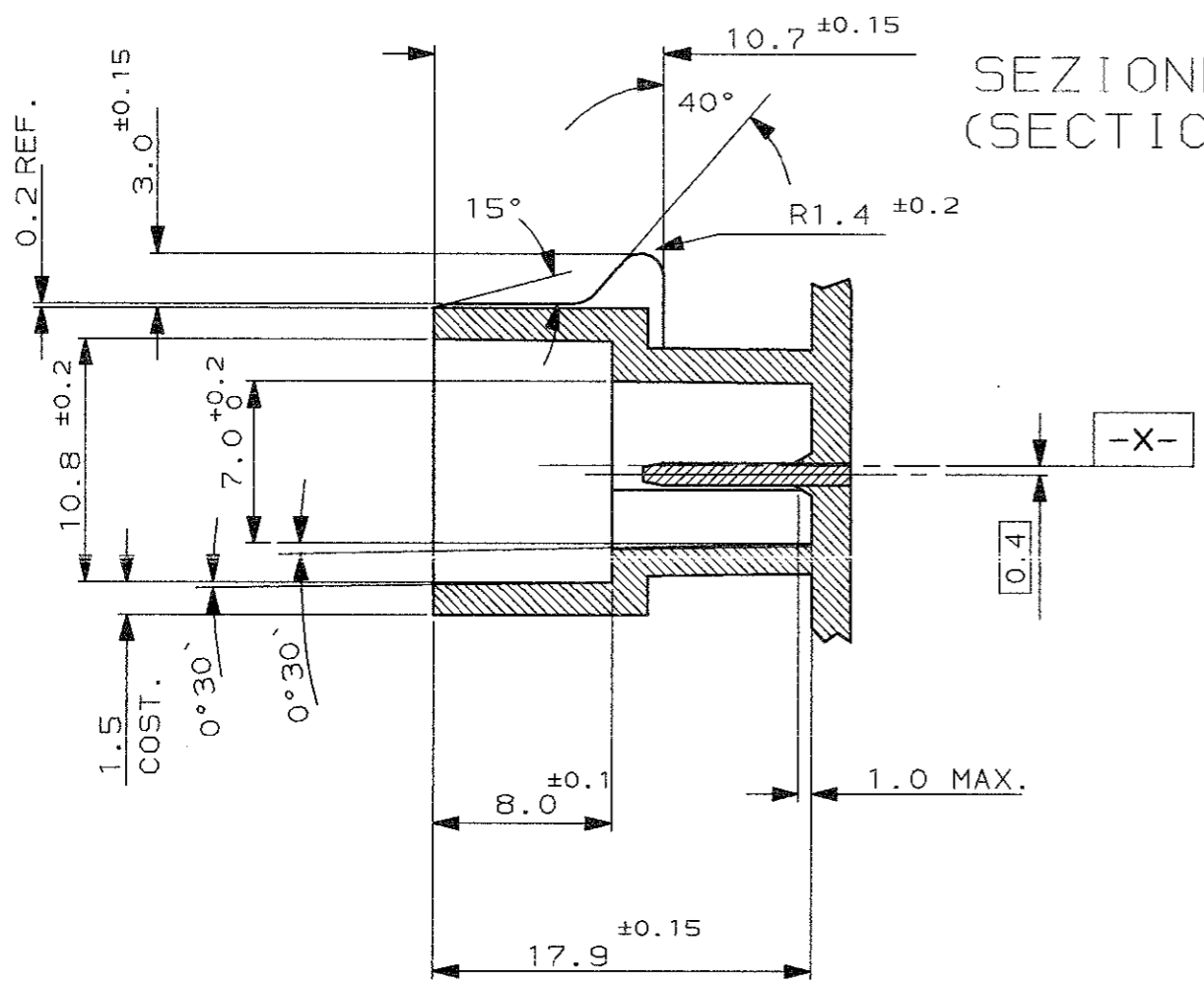
DISTRIBUZIONE (PRINT DIST.)

SCALA NON IMPEGNATIVA  
(DO NOT SCALE)  
DIMENSIONI IN mm  
(DIMENSIONS IN mm)

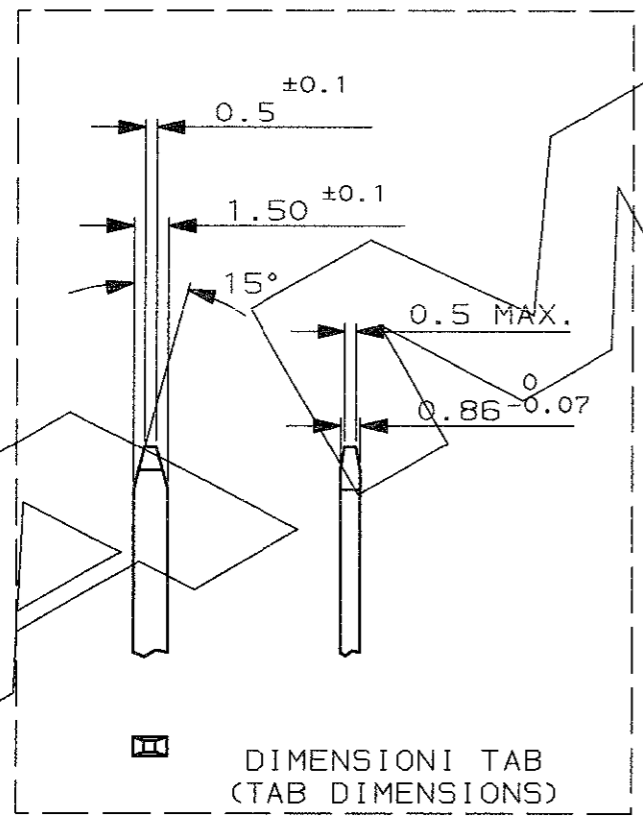
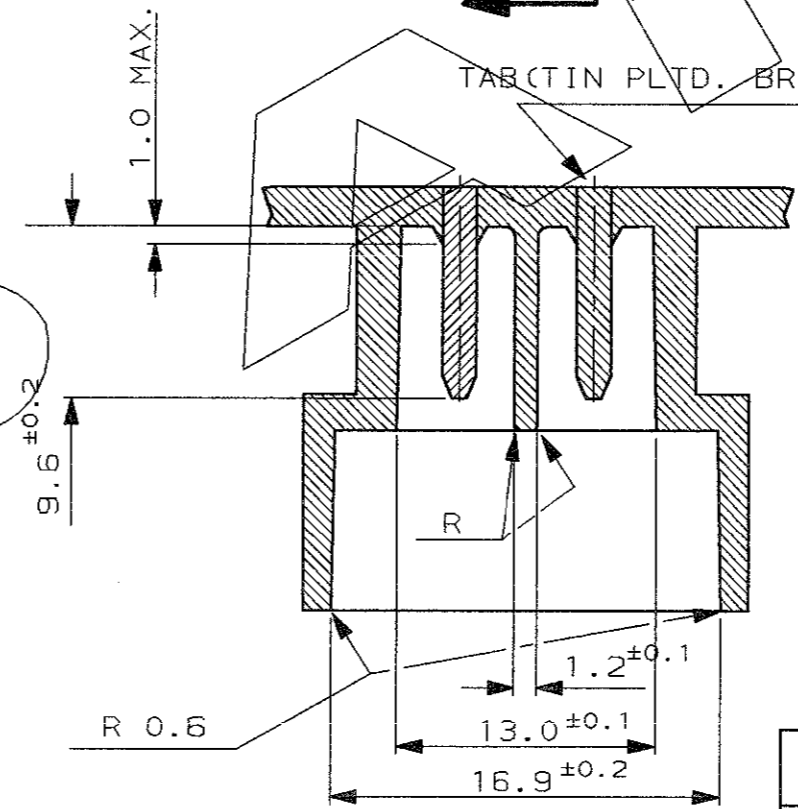
**METRIC**

PROIEZIONE EUROPEA  
(EUROPEAN PROJECTION)

SEZIONE A-A  
(SECTION A-A)



SEZIONE B-B  
(SECTION B-B)



	PA 6.6 CAR. VETRO (PA 6.6 G.F.)	
FINITURA / COLORE (FINISH / COLOUR)	MATERIALE (MATERIAL)	NUMERO (PART NUMBER)
CUSTOMER DWG. FOR REFERENCE ONLY		DISEGNO PER CLIENTE SOLO PER RIFERIMENTO
-THIS DRAWING IS UNPUBLISHED-		RELEASE FOR PUBLICATION 19
© COPYRIGHT 19 BY AMP INCORPORATED, HARRISBURG, PA. ALL INTERNATIONAL RIGHT RESERVED. AMP PRODUCTS MAY BE COVERED BY U.S. AND FOREIGN PATENT AND/OR PATENT PENDING		
TOLLERANZE, SE NON DIVERSAMENTE SPECIFICATO (TOLERANCES, UNLESS OTHERWISE SPECIFIED)	DIAM. ISOLANTE (INS. DIA. RANGE)	RANGO FILO (WIRE RANGE)
± 0.3	-	-
ANGOLI (ANGLES)	SCALA (SCALE)	
± 2°	AMP AMP ITALIA S.p.A. Corso F. LUI Carvi, 15 COLLENO (TORINO)	
DIS. (DR.)	DESCRIZIONE (DESCRIPTION) 2 POS. PLUG ASS'Y	
CONT. (CHK)	AMP SUPERSEAL 1.5 SERIES CONNECTORS	
APP. (APP.)	LOC. SIZE NUMERO (DWG NO)	REV. FOGLIO (SHEET)
(SEE SHEET 1 OF 2)	I A3 C-282080	C3 2 OF 2
REV. (REV.)	REVISIONI (REVISION RECORD)	DIS. DATA (DR) (DATE)

DISTRIBUZIONE  
(PRINT DIST.)