



TOKEN ELECTRONICS IND. CO., LTD.

HONESTY PERFECTION SHARING

✓ **Inductor Fixed Type**

✉ **Inquiry:** rfq@tokenonline.net

Taiwan: No. 137, Sec. 1, Chung Shin Rd., Wu Ku Hsiang, Taipei Hsien, Taiwan, R.O.C
TEL: 886-2-2981 0109; FAX: 886-2-2988 7487

China: 3F South, Zhongxing Industry Bld., Changye Rd., Nanshan District, Shenzhen, Guangdong
TEL: 86-755-2605 5363, 2605 5364; FAX: 86-755-2605 5365



FIXED INDUCTORS

Features: This specification applies to the fixed high frequency inductors used in electronic equipment such as communication apparatus, automatic control equipment, electronic testing instruments, household appliance. electrical equipment .It's functioned high frequency inductance device.

ORDERING CODE

LGA/A-101/B K/C

A: Type LGA=63mm Length

B: inductance

C: tolerance

DIMENSIONS

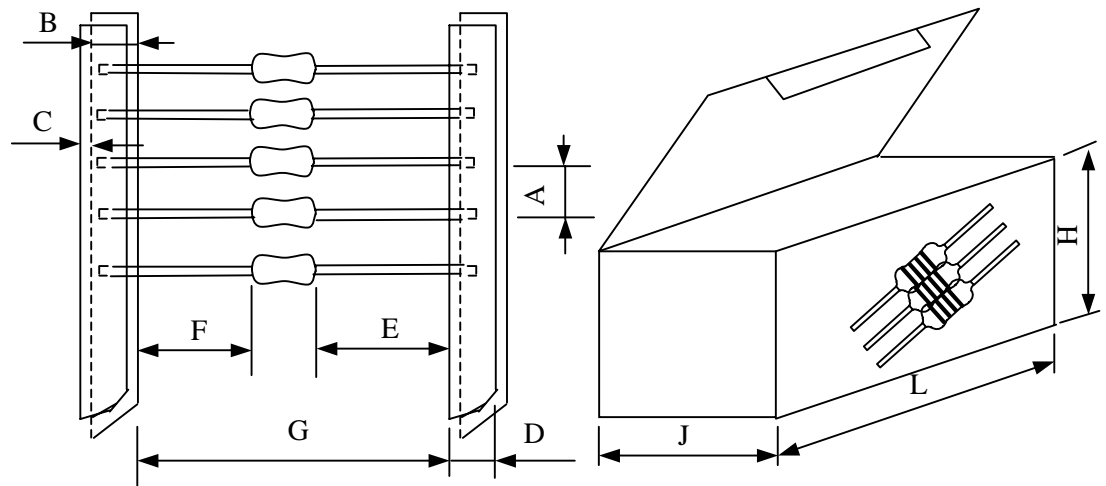
	MODEL	A(max)	B(max)	C±0.05	LENGTH
	LGA0202	2.0	3.0	0.5	63±2
	LGA0204	2.0	4.0	0.5	63±3
	LGA0307	3.0	7.0	0.5	63±2
	LGA0410	4.0	10.0	0.5	63±3

COLOUR CODE

(1) LGA0307, LGA0410	COLOUR	1	2	3	4
		Black	0	0	1
	Brown	1	1	10	-
	Red	2	2	100	-
	Orange	3	3	1000	-
	Yellow	4	4	-	-
	Green	5	5	-	-
	Blue	6	6	-	-
	Purple	7	7	-	-
	Gray	8	8	-	-
	White	9	9	-	-
	Gold	-	-	0.1	±5%
	Silver	-	-	0.01	±10%

Packing

Ammunition packing
1=Standard size
2=Smallest size



	H	L	J	0307,0410	0307,0410	0202,0204	0202,0204
1	70±5	255±5	70±5	1000pcs/Box	2000pcs/Box		
2	100±5	255±5	55±5			2500pcs/Box	4000pcs/Box



FIXED INDUCTORS

SMD MINIATURE COILS

Features:

1. Windings use pair wires/twin wire for high uniformity.
2. Base pins are end processed to allow direct mounting on PCB
3. Surface mounting type also available.

Applications

1. Antenna impedance matching coil for car radio television and stereo sets
2. linkage transformer for data communication system.
3. Impedance conversion transformer, transmission transformer and double balance mixer for electronic equipment.

Part No.	Inductance	Percent Tolerance	Q min	Testing Freq. Of L&Q (MHz)	S.R.F (MHz) min	D.C.R. (Ω) max.	Permissible DC current-t	Color code			
								1st	2nd	3rd	4th
LGA0202-R10M	0.10	±20%	35	25.2	300	0.10	700	Brown	Black	Silver	Black
LGA0202-R12M	0.12					0.20	660	Brown	Red	Silver	Black
LGA0202-R15M	0.15					0.22	620	Brown	Green	Silver	Black
LGA0202-R18M	0.18					0.24	600	Brown	Gray	Silver	Black
LGA0202-R22M	0.22					0.40	400	Red	Red	Silver	Black
LGA0202-R27M	0.27					0.43	380	Red	Purple	Silver	Black
LGA0202-R33M	0.33					0.48	370	Orange	Orange	Silver	Black
LGA0202-R39M	0.39					0.51	350	Orange	White	Silver	Black
LGA0202-R47M	0.47					0.56	330	Yellow	Purple	Silver	Black
LGA0202-R56M	0.56					0.61	320	Green	Blue	Silver	Black
LGA0202-R68M	0.68				0.67	310	Blue	Gray	Silver	Black	
LGA0202-R82M	0.82				0.74	290	Gray	Red	Silver	Black	
LGA0202-1R0M	1.0				0.80	270	Brown	Black	Gold	Black	
LGA0202-1R2M	1.2				110	0.90	260	Brown	Red	Gold	Black
LGA0202-1R5M	1.5				80	1.00	250	Brown	Green	Gold	Black
LGA0202-1R8M	1.8				60	1.10	240	Brown	Gray	Gold	Black
LGA0202-2R2M	2.2				45	1.20	230	Red	Red	Gold	Black
LGA0202-2R7M	2.7				40	1.30	220	Red	Purple	Gold	Black
LGA0202-3R3K	3.3				38	1.40	210	Orange	Orange	Gold	Silver
LGA0202-3R9K	3.9				35	1.60	200	Orange	White	Gold	Silver
LGA0202-4R7K	4.7	32	1.70	190	Yellow	Purple	Gold	Silver			
LGA0202-5R6K	5.6	30	1.90	180	Green	Blue	Gold	Silver			
LGA0202-6R8K	6.8	28	2.00	175	Blue	Gray	Gold	Silver			
LGA0202-8R2K	8.2	26	2.20	165	Gray	Red	Gold	Silver			
LGA0202-100K	10	24	2.50	160	Brown	Black	Black	Silver			
LGA0202-120K	12	22	2.50	150	Brown	Red	Black	Silver			
LGA0202-150K	15	20	2.80	145	Brown	Green	Black	Silver			
LGA0202-180K	18	18	3.10	140	Brown	Gray	Black	Silver			
LGA0202-220K	22	17	3.40	130	Red	Red	Black	Silver			
LGA0202-270K	27	16	4.30	80	Red	Purple	Black	Silver			
LGA0202-330K	33	14	4.70	76	Orange	Orange	Black	Silver			
LGA0202-390K	39	13	5.20	74	Orange	White	Black	Silver			
LGA0202-470K	47	12	5.80	70	Yellow	Purple	Black	Silver			
LGA0202-560K	56	11	6.40	68	Green	Blue	Black	Silver			
LGA0202-680K	68	10	7.20	64	Blue	Gray	Black	Silver			
LGA0202-820K	82	9.5	11.00	46	Gray	Red	Brown	Silver			
LGA0202-101K	100	9.0	12.00	44	Brown	Black	Brown	Silver			
LGA0202-121K	120	8.0	13.00	42	Brown	Red	Brown	Silver			
LGA0202-151K	150	6.0	16.00	39	Brown	Green	Brown	Silver			



TOKEN MEANS QUALITY AND SERVICE

Part No.	Inductance	Percent Tolerance	Q min	Testing Freq. Of L&Q (MHz)	S.R.F (MHz) min	D.C.R .(Ω) max.	Permissible DC current	Color code				
								1st	2nd	3rd	4th	
LGA0202 -181K	180	±10%	40	0.796	5.5	18.00	37	Brown	Gray	Brown	Silver	
LGA0202 -221K	220				5.0	20.00	35	Red	Red	Brown	Silver	
LGA0202 -271K	270				4.6	26.00	28	Red	Purple	Brown	Silver	
LGA0202 -331K	330				4.2	30.00	26	Orange	Orange	Brown	Silver	
LGA0202 -391K	390				3.8	34.00	25	Orange	White	Brown	Silver	
LGA0202 -471K	470				3.5	38.00	24	Yellow	Purple	Brown	Silver	
LGA0204-R22M	0.22	±20%	35	25.2	150	0.40	400	Red	Red	Silver	Black	
LGA0204-R27M	0.27				150	0.43	380	Red	Purple	Silver	Black	
LGA0204-R33M	0.33				150	0.48	370	Orange	Orange	Silver	Black	
LGA0204-R39M	0.39				150	0.51	350	Orange	White	Silver	Black	
LGA0204-R47M	0.47				150	0.56	320	Yellow	Purple	Silver	Black	
LGA0204-R56M	0.56				150	0.61	320	Green	Blue	Silver	Black	
LGA0204-R68M	0.68		40	7.96	25.2	150	0.67	310	Blue	Gray	Silver	Black
LGA0204-R82M	0.82					150	0.74	290	Gray	Red	Silver	Black
LGA0204-1R0M	1.0					150	0.80	270	Brown	Black	Gold	Black
LGA0204-1R2M	1.2					144	0.90	260	Brown	Red	Gold	Black
LGA0204-1R5M	1.5					131	1.00	250	Brown	Green	Gold	Black
LGA0204-1R8M	1.8					121	1.10	240	Brown	Gray	Gold	Black
LGA0204-2R2M	2.2	±10%	50	2.52	110	1.20	230	Red	Red	Gold	Black	
LGA0204-2R7M	2.7				100	1.30	220	Red	Purple	Gold	Black	
LGA0204-3R3K	3.3				94	1.40	210	Orange	Orange	Gold	Silver	
LGA0204-3R9K	3.9				65	1.60	200	Orange	White	Gold	Silver	
LGA0204-4R7K	4.7				56	1.70	190	Yellow	Purple	Gold	Silver	
LGA0204-5R6K	5.6				48	1.90	180	Green	Blue	Gold	Silver	
LGA0204-6R8K	6.8		37	2.00	175	Blue	Gray	Gold	Silver			
LGA0204-8R2K	8.2		25	2.20	165	Gray	Red	Gold	Silver			
LGA0204-100K	10		21	2.50	160	Brown	Black	Black	Silver			
LGA0204-120K	12		19	2.50	150	Brown	Red	Black	Silver			
LGA0204-150K	15		17	2.80	145	Brown	Green	Black	Silver			
LGA0204-180K	18		13	3.10	140	Brown	Gray	Black	Silver			
LGA0204-220K	22	9.6	3.40	130	Red	Red	Black	Silver				
LGA0204-270K	27	7.2	3.80	125	Red	Purple	Black	Silver				
LGA0204-330K	33	6.3	4.10	120	Orange	Orange	Black	Silver				
LGA0204-390K	39	6.3	4.50	115	Orange	White	Black	Silver				
LGA0204-470K	47	6.3	4.90	110	Yellow	Purple	Black	Silver				
LGA0204-560K	56	6.2	5.30	105	Green	Blue	Black	Silver				
LGA0204-680K	68	5.7	5.80	100	Blue	Gray	Black	Silver				
LGA0204-820K	82	5.3	6.30	95	Gray	Red	Black	Silver				
LGA0204-101K	100	4.8	7.00	90	Brown	Black	Brown	Silver				
LGA0204-121K	120	3.8	13.00	90	Brown	Red	Brown	Silver				
LGA0204-151K	150	3.5	15.00	85	Brown	Green	Brown	Silver				
LGA0204-181K	180	3.3	16.00	80	Brown	Gray	Brown	Silver				
LGA0204-221K	220	3.0	17.00	75	Red	Red	Brown	Silver				
LGA0204-271K	270	2.8	9.00	165	Red	Purple	Brown	Silver				
LGA0204-331K	330	2.6	20.00	60	Orange	Orange	Brown	Silver				
LGA0204-391K	390	2.4	22.00	55	Orange	White	Brown	Silver				
LGA0204-471K	470	2.25	24.00	55	Yellow	Purple	Red	Silver				
LGA0204-561K	560	2.1	2.00	50	Green	Blue	Brown	Silver				
LGA0204-681K	680	1.95	28.00	45	Blue	Gray	Brown	Silver				
LGA0204-821K	820	1.85	30.00	40	Gray	Red	Brown	Silver				
LGA0204-102K	1000	1.4	33.00	40	Brown	Black	Red	Silver				



TOKEN MEANS QUALITY AND SERVICE

Part No.	Inductance	Percent Tolerance	Q min	Testing Freq. of L&Q (MHz)	SRF (MHz) min.	DCR (Ω) max.	Permissible DC current	Color code			
								1st	2nd	3rd	4th
LGA0307-R10M	0.10	±20%	30	2.52	280	0.085	700	Brown	Black	Silver	Black
LGA0307-R12M	0.12				280	0.085	700	Brown	Red	Silver	Black
LGA0307-R15M	0.15				280	0.095	700	Brown	Green	Silver	Black
LGA0307-R18M	0.18				280	0.120	700	Brown	Gray	Silver	Black
LGA0307-R22M	0.22				280	0.150	700	Red	Red	Silver	Black
LGA0307-R27M	0.27				260	0.150	700	Red	Purple	Silver	Black
LGA0307-R33M	0.33				250	0.150	700	Orange	Orange	Silver	Black
LGA0307-R39M	0.39		220		0.170	700	Orange	White	Silver	Black	
LGA0307-R47M	0.47		200		0.170	700	Yellow	Purple	Silver	Black	
LGA0307-R56M	0.56		180		0.170	700	Green	Blue	Silver	Black	
LGA0307-R68M	0.68		160		0.180	700	Blue	Gray	Silver	Black	
LGA0307-R82M	0.82		140		0.180	700	Gray	Red	Silver	Black	
LGA0307-1R0K	1.00		135		0.180	700	Brown	Black	Gold	Silver	
LGA0307-1R2K	1.20		135		0.180	700	Brown	Red	Gold	Silver	
LGA0307-1R5K	1.50	130	0.200	700	Brown	Green	Gold	Silver			
LGA0307-1R8K	1.80	125	0.230	655	Brown	Gray	Gold	Silver			
LGA0307-2R2K	2.20	80	0.250	630	Red	Red	Gold	Silver			
LGA0307-2R7K	2.70	80	0.280	595	Red	Purple	Gold	Silver			
LGA0307-3R3K	3.30	70	0.300	575	Orange	Orange	Gold	Silver			
LGA0307-3R9K	3.90	65	0.320	555	Orange	White	Gold	Silver			
LGA0307-4R7K	4.70	45	0.350	530	Yellow	Purple	Gold	Silver			
LGA0307-5R6K	5.60	49	0.400	500	Green	Blue	Gold	Silver			
LGA0307-6R8K	6.80	30	0.450	470	Blue	Gray	Gold	Silver			
LGA0307-8R2K	8.20	28	0.560	425	Gray	Red	Gold	Silver			
LGA0307-100K	10.00	22	0.720	370	Brown	Black	Black	Silver			
LGA0307-120K	12.00	20	0.800	350	Brown	Red	Black	Silver			
LGA0307-150K	15.00	16	0.880	335	Brown	Green	Black	Silver			
LGA0307-180K	18.00	15	1.000	315	Brown	Gray	Black	Silver			
LGA0307-220K	22.00	13	1.200	285	Red	Red	Black	Silver			
LGA0307-270K	27.00	11	1.350	270	Red	Purple	Black	Silver			
LGA0307-330K	33.00	10	1.500	255	Orange	Orange	Black	Silver			
LGA0307-390K	39.00	9.50	1.700	240	Orange	White	Black	Silver			
LGA0307-470K	47.00	8.50	2.300	205	Yellow	Purple	Black	Silver			
LGA0307-560K	56.00	7.50	2.600	195	Green	Blue	Black	Silver			
LGA0307-680K	68.00	6.50	2.900	185	Blue	Gray	Black	Silver			
LGA0307-820K	82.00	6.00	3.200	175	Gray	Red	Black	Silver			
LGA0307-101K	100.00	5.50	3.500	165	Brown	Black	Brown	Silver			
LGA0307-121K	120.00	5.40	3.800	160	Brown	Red	Brown	Silver			
LGA0307-151K	150.00	4.75	4.400	150	Brown	Green	Brown	Silver			
LGA0307-181K	180.00	4.35	5.000	140	Brown	Gray	Brown	Silver			
LGA0307-221K	220.00	4.00	5.700	130	Red	Red	Brown	Silver			
LGA0307-271K	270.00	3.70	7.500	120	Red	Purple	Brown	Silver			
LGA0307-331K	330.00	3.40	9.500	100	Orange	Orange	Brown	Silver			
LGA0307-391K	390.00	2.80	10.500	95	Orange	White	Brown	Silver			
LGA0307-471K	470.00	2.56	11.600	90	Yellow	Purple	Brown	Silver			
LGA0307-561K	560.00	2.35	13.000	85	Green	Blue	Brown	Silver			
LGA0307-681K	680.00	2.00	18.000	75	Blue	Gray	Brown	Silver			
LGA0307-821K	820.00	1.60	23.700	65	Gray	Red	Brown	Silver			
LGA0307-102K	1000.00	1.15	30.000	60	Brown	Black	Red	Silver			



TOKEN MEANS QUALITY AND SERVICE

Part No.	Inductance	Percent Tolerance	Q min	Testing Freq. of L&Q (MHz)	SRF (MHz) min.	DCR (Ω) max.	Permissible DC current	Color code						
								1st	2nd	3rd	4th			
LGA0410-R22M	0.22	±20%	45	25.2	300.00	0.10	1400	Red	Red	Silver	Black			
LGA0410-R27M	0.27				270.00	0.11	1320	Red	Purple	Silver	Black			
LGA0410-R33M	0.33				250.00	0.12	1280	Orange	Orange	Silver	Black			
LGA0410-R39M	0.39				230.00	0.13	1200	Orange	White	Silver	Black			
LGA0410-R47M	0.47				220.00	0.14	1150	Yellow	Purple	Silver	Black			
LGA0410-R56M	0.56				200.00	0.15	1100	Green	Blue	Silver	Black			
LGA0410-R68M	0.68				190.00	0.16	1030	Blue	Gray	Silver	Black			
LGA0410-R82M	0.82				172.00	0.17	980	Gray	Red	Silver	Black			
LGA0410-1R0M	1.0				157.00	0.19	920	Brown	Black	Gold	Black			
LGA0410-1R2M	1.2				±10%	50	7.96	144.00	0.21	880	Brown	Red	Gold	Black
LGA0410-1R5M	1.5					131.00		0.23	830	Brown	Green	Gold	Black	
LGA0410-1R8M	1.8					55		121.00	0.25	790	Brown	Gray	Gold	Black
LGA0410-2R2M	2.2					110.00		0.28	750	Red	Red	Gold	Black	
LGA0410-2R7M	2.7					60		100.00	0.30	720	Red	Purple	Gold	Black
LGA0410-3R3K	3.3	65	94.00	0.34		670		Orange	Orange	Gold	Silver			
LGA0410-3R9K	3.9	70	65.00	0.37		640		Orange	White	Gold	Silver			
LGA0410-4R7K	4.7	75	56.00	0.39		620		Yellow	Purple	Gold	Silver			
LGA0410-5R6K	5.6	80	48.00	0.43		590		Green	Blue	Gold	Silver			
LGA0410-6R8K	6.8	85	37.00	0.48		550		Blue	Gray	Gold	Silver			
LGA0410-8R2K	8.2	90	25.00	0.52		530		Gray	Red	Gold	Silver			
LGA0410-100K	10	95	21.00	0.58		500		Brown	Black	Black	Silver			
LGA0410-120K	12	±10%	50	2.52		19.00		0.63	480	Brown	Red	Black	Silver	
LGA0410-150K	15					17.00		0.72	460	Brown	Green	Black	Silver	
LGA0410-180K	18				13.00	0.77	430	Brown	Gray	Black	Silver			
LGA0410-220K	22				9.60	0.84	410	Red	Red	Black	Silver			
LGA0410-270K	27				55	7.20	0.94	390	Red	Purple	Black	Silver		
LGA0410-330K	33				50	6.30	1.03	370	Orange	Orange	Black	Silver		
LGA0410-390K	39				45	6.30	1.12	350	Orange	White	Black	Silver		
LGA0410-470K	47				40	6.30	1.22	340	Yellow	Purple	Black	Silver		
LGA0410-560K	56				35	6.20	1.34	320	Green	Blue	Black	Silver		
LGA0410-680K	68				30	5.70	1.47	305	Blue	Gray	Black	Silver		
LGA0410-820K	82				25	5.30	1.62	290	Gray	Red	Black	Silver		
LGA0410-101K	100				20	4.80	1.80	275	Brown	Black	Brown	Silver		
LGA0410-121K	120				0.796	55	3.80	3.70	185	Brown	Red	Brown	Silver	
LGA0410-151K	150					45	3.50	4.20	175	Brown	Green	Brown	Silver	
LGA0410-181K	180	50	3.30	4.60		165	Brown	Gray	Brown	Silver				
LGA0410-221K	220	55	3.00	5.10		155	Red	Red	Brown	Silver				
LGA0410-271K	270	65	60	2.80		5.80	145	Red	Purple	Brown	Silver			
LGA0410-331K	330			2.60		6.40	137	Orange	Orange	Brown	Silver			
LGA0410-391K	390			2.40		7.00	133	Orange	White	Brown	Silver			
LGA0410-471K	470			2.25		7.70	126	Yellow	Purple	Red	Silver			
LGA0410-561K	560			2.10		8.50	120	Green	Blue	Brown	Silver			
LGA0410-681K	680			55		50	1.95	9.40	113	Blue	Gray	Brown	Silver	
LGA0410-821K	820						1.85	10.50	105	Gray	Red	Brown	Silver	
LGA0410-102K	1000						1.40	14.00	100	Brown	Black	Red	Silver	
LGA0412-103K	10000						40		75.0	Brown	Black	Orange	Silver	



FIXED INDUCTORS

FIXED INDUCTORS

This specification applies to the fixed high frequency inductors used in electronic equipment ,such as communication apparatus ,automatic control equipment ,electronic testing instruments ,household appliance .electrical equipment .It's functioned frequency inductance device.

ORDERING CODE

LGB/A-101/B K/C

A: Type LGB=38mm Length

B: Inductance

C: Tolerance

DIMENSIONS (mm)

MODEL	A	D	L	H	Φd	S
LGB0405	4.0	5.0	8	5±1	0.5	5±1
LGB0606	6.5	6.4	10	5±1	0.6	5±1
LGB0909	9.0	9.4	15	5±1	0.6	7.5±1.5
LGB1012	10	12	17	5±1	0.6	7.5±1.5

COLOUR CODE

MODEL	1	2	3	4
Black	0	0	10	±20%
Brown	1	1	100	-
Red	2	2	1000	-
Orange	3	3	-	-
Yellow	4	4	-	-
Green	5	5	-	-
Blue	6	6	-	-
Purple	7	7	-	-
Gray	8	8	-	-
White	9	9	-	-
Gold	-	-	0.1	±5%
Silver	-	-	0.01	±10%



TOKEN MEANS QUALITY AND SERVICE

Part No.	Inductance	Percent Tolerance	Q min	Testing of &Q (MHz)	S.R.F (MHz) min.	D.C.R (Ω) max.	Permissible DC current	Color code					
								1st	2nd	3rd	4th		
LGB0606-R22M	0.22	±20%	50	25.2	150	0.15	816	Red	Red	Silver	Black		
LGB0606-R27M	0.27							Red	Purple	Silver	Black		
LGB0606-R33M	0.33				Orange	Orange	Silver	Black					
LGB0606-R39M	0.39				Orange	White	Silver	Black					
LGB0606-R47M	0.47			130	0.20	707	Yellow	Purple	Silver	Black			
LGB0606-R56M	0.56						Green	Blue	Silver	Black			
LGB0606-R68M	0.68			120	0.22	674	Blue	Gray	Silver	Black			
LGB0606-R82M	0.82						Gray	Red	Silver	Black			
LGB0606-1R0K	1.00	±10%	50	7.96	100	0.25	632	Brown	Black	Gold	Silver		
LGB0606-1R2K	1.20							85	0.27	608	Brown	Red	Gold
LGB0606-1R5K	1.50				70	0.30	577	Brown	Green	Gold	Silver		
LGB0606-1R8K	1.80				60	0.32	559	Brown	Gray	Gold	Silver		
LGB0606-2R2K	2.20				55	0.35	534	Red	Red	Gold	Silver		
LGB0606-2R7K	2.70				50	0.37	500	Red	Purple	Gold	Silver		
LGB0606-3R3K	3.30				45	0.40	471	Orange	Orange	Gold	Silver		
LGB0606-3R9K	3.90				40	0.45	353	Orange	White	Gold	Silver		
LGB0606-4R7K	4.70			35	0.80	333	Yellow	Purple	Gold	Silver			
LGB0606-5R6K	5.60			33	0.90	316	Green	Blue	Gold	Silver			
LGB0606-6R8K	6.80			27	1.00	288	Blue	Gray	Gold	Silver			
LGB0606-8R2K	8.20			25	1.20	267	Gray	Red	Gold	Silver			
LGB0606-100K	10.00			2.52	45	0.796	20	0.80	353	Brown	Black	Black	Silver
LGB0606-120K	12.00						18	0.90	333	Brown	Red	Black	Silver
LGB0606-150K	15.00						17	1.00	316	Brown	Green	Black	Silver
LGB0606-180K	18.00						15	1.20	288	Brown	Gray	Black	Silver
LGB0606-220K	22.00	13	1.40				267	Red	Red	Black	Silver		
LGB0606-270K	27.00	11	1.70				242	Red	Purple	Black	Silver		
LGB0606-330K	33.00	11	2.00				223	Orange	Orange	Black	Silver		
LGB0606-390K	39.00	10	2.40				204	Orange	White	Black	Silver		
LGB0606-470K	47.00	10	2.70	102	Yellow	Purple	Black	Silver					
LGB0606-560K	56.00	9	2.90	185	Green	Blue	Black	Silver					
LGB0606-680K	68.00	9	3.10	179	Blue	Gray	Black	Silver					
LGB0606-820K	82.00	8	3.30	174	Gray	Red	Black	Silver					
LGB0606-101K	100.00	0.252	40	0.252	7	3.30	174	Brown	Black	Brown	Silver		
LGB0606-121K	120.00				6	3.50	169	Brown	Red	Brown	Silver		
LGB0606-151K	150.00				6	3.70	164	Brown	Green	Brown	Silver		
LGB0606-181K	180.00				5	4.00	158	Brown	Gray	Brown	Silver		
LGB0606-221K	220.00				4	5.20	138	Red	Red	Brown	Silver		
LGB0606-271K	270.00				4	5.80	131	Red	Purple	Brown	Silver		
LGB0606-331K	330.00				3	6.50	124	Orange	Orange	Brown	Silver		
LGB0606-391K	390.00				3	7.50	115	Orange	White	Brown	Silver		
LGB0606-471K	470.00				3	8.00	111	Yellow	Purple	Brown	Silver		
LGB0606-561K	560.00				2	12.50	89	Green	Blue	Brown	Silver		
LGB0606-681K	680.00				2	14.00	84	Blue	Gray	Brown	Silver		
LGB0606-821K	820.00				2	15.50	80	Gray	Red	Brown	Silver		
LGB0606-102K	1000.00	30	30	0.252	2	18.50	73	Brown	Black	Red	Silver		
LGB0606-122K	1200.00				2	29.00	58	Brown	Red	Red	Silver		
LGB0606-152K	1500.00				2	34.00	54	Brown	Green	Red	Silver		
LGB0606-182K	1800.00				1	37.00	51	Brown	Gray	Red	Silver		
LGB0606-222K	2200.00				1	42.00	48	Red	Red	Red	Silver		



TOKEN MEANS QUALITY AND SERVICE

Part No.	Inductance	Percent Tolerance	Q min	Testing of &Q (MHz)	S.R.F (MHz) min.	D.C.R (Ω) max.	Permissible DC current	Color code					
								1st	2nd	3rd	4th		
LGB0909- 101K	100	±10%	55	796	4.3	0.85	343	Brown	Black	Brown	Silver		
LGB0909- 121K	120				4.1	0.95	324	Brown	Red	Brown	Silver		
LGB0909- 151K	150				3.7	1.05	309	Brown	Green	Brown	Silver		
LGB0909- 181K	180				3.3	1.15	295	Brown	Gray	Brown	Silver		
LGB0909- 221K	220				2.3	1.30	277	Red	Red	Brown	Silver		
LGB0909- 271K	270				2.0	1.50	258	Red	Purple	Brown	Silver		
LGB0909- 331K	330		50		252	1.95	1.70	243	Orange	Orange	Brown	Silver	
LGB0909- 391K	390					1.85	1.85	232	Orange	White	Brown	Silver	
LGB0909- 471K	470					1.57	2.30	209	Yellow	Purple	Brown	Silver	
LGB0909- 561K	560					1.50	2.55	198	Green	Blue	Brown	Silver	
LGB0909- 681K	680					1.40	2.85	187	Blue	Gray	Brown	Silver	
LGB0909- 821K	820					1.32	3.1	180	Gray	Red	Brown	Silver	
LGB0909- 102K	1000		60	252		1.25	4.1	156	Brown	Black	Red	Silver	
LGB0909- 122K	1200					1.20	4.7	146	Brown	Red	Red	Silver	
LGB0909- 152K	1500					1.00	5.8	131	Brown	Green	Red	Silver	
LGB0909- 182K	1800					0.95	7.4	116	Brown	Gray	Red	Silver	
LGB0909- 222K	2200					0.90	8.4	109	Red	Red	Red	Silver	
LGB0909- 272K	2700					0.84	11.2	94	Red	Red	Red	Silver	
LGB0909- 332K	3300		65		252	0.75	14.7	82	Orange	Purple	Red	Silver	
LGB0909- 392K	3900					0.67	19.5	72	Orange	Orange	Red	Silver	
LGB0909- 472K	4700					0.62	21.5	68	Yellow	White	Red	Silver	
LGB0909- 562K	5600					0.57	24.5	64	Green	Purple	Red	Silver	
LGB0909- 682K	6800					0.47	32.5	55	Blue	Blue	Red	Silver	
LGB0909- 822K	8200					0.43	38	51	Gray	Red	Red	Silver	
LGB0909- 103K	10000		50	79.6		0.38	43	48	Brown	Red	Orange	Silver	
LGB0909- 123K	12000					0.37	62	40	Brown	Black	Orange	Silver	
LGB0909- 153K	15000					0.33	74	37	Orange	Red	Orange	Silver	
LGB0909- 183K	18000					0.29	103	31	Brown	Green	Orange	Silver	
LGB0909- 223K	22000					0.26	118	29	Red	Gray	Orange	Silver	
LGB0909- 273K	27000					0.25	131	28	Red	Red	Orange	Silver	
LGB0909- 333K	33000		40		79.6	0.25	152	26	Orange	Purple	Orange	Silver	
LGB0909- 339K	39000					0.23	205	22	Orange	Orange	Orange	Silver	
LGB0909- 473K	47000	35				79.6	0.21	260	20	Yellow	Purple	Orange	Silver
LGB0909- 563K	56000						0.20	205	18	Green	Blue	Orange	Silver