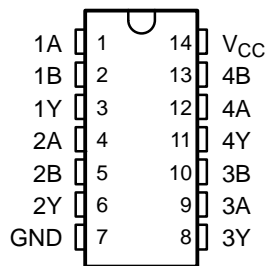


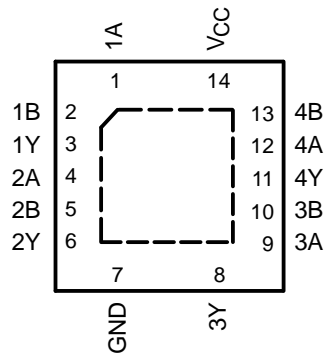
## FEATURES

- Operate From 1.65 V to 3.6 V
- Specified From  $-40^{\circ}\text{C}$  to  $85^{\circ}\text{C}$ ,  $-40^{\circ}\text{C}$  to  $125^{\circ}\text{C}$ , and  $-55^{\circ}\text{C}$  to  $125^{\circ}\text{C}$
- Inputs Accept Voltages to 5.5 V
- Max  $t_{pd}$  of 4.1 ns at 3.3 V
- Typical  $V_{OLP}$  (Output Ground Bounce)  $<0.8\text{ V}$  at  $V_{CC} = 3.3\text{ V}$ ,  $T_A = 25^{\circ}\text{C}$
- Typical  $V_{OHV}$  (Output  $V_{OH}$  Undershoot)  $>2\text{ V}$  at  $V_{CC} = 3.3\text{ V}$ ,  $T_A = 25^{\circ}\text{C}$
- Latch-Up Performance Exceeds 250 mA Per JESD 17
- ESD Protection Exceeds JESD 22
  - 2000-V Human-Body Model (A114-A)
  - 200-V Machine Model (A115-A)
  - 1000-V Charged-Device Model (C101)

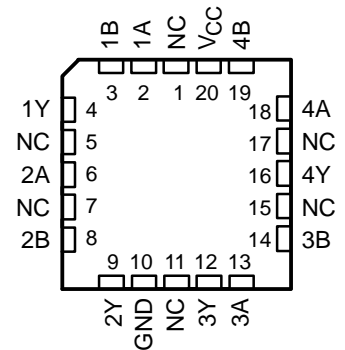
SN54LVC08A . . . J OR W PACKAGE  
SN74LVC08A . . . D, DB, NS, OR PW PACKAGE  
(TOP VIEW)



SN74LVC08A . . . RGY PACKAGE  
(TOP VIEW)



SN54LVC08A . . . FK PACKAGE  
(TOP VIEW)



NC - No internal connection

## DESCRIPTION/ORDERING INFORMATION

The SN54LVC08A quadruple 2-input positive-AND gate is designed for 2.7-V to 3.6-V  $V_{CC}$  operation, and the SN74LVC08A quadruple 2-input positive-AND gate is designed for 1.65-V to 3.6-V  $V_{CC}$  operation.

The 'LVC08A devices perform the Boolean function  $Y = A \cdot B$  or  $Y = \overline{\overline{A} + \overline{B}}$  in positive logic.

Inputs can be driven from either 3.3-V or 5-V devices. This feature allows the use of these devices as translators in a mixed 3.3-V/5-V system environment.



Please be aware that an important notice concerning availability, standard warranty, and use in critical applications of Texas Instruments semiconductor products and disclaimers thereto appears at the end of this data sheet.

# SN54LVC08A, SN74LVC08A QUADRUPLE 2-INPUT POSITIVE-AND GATES

SCAS283P–JANUARY 1993–REVISED AUGUST 2005

## ORDERING INFORMATION

| T <sub>A</sub> | PACKAGE <sup>(1)</sup> |               | ORDERABLE PART NUMBER | TOP-SIDE MARKING |
|----------------|------------------------|---------------|-----------------------|------------------|
| –40°C to 85°C  | QFN – RGY              | Reel of 1000  | SN74LVC08ARGYR        | LC08A            |
| –40°C to 125°C | SOIC – D               | Tube of 50    | SN74LVC08AD           | LVC08A           |
|                |                        | Reel of 2500  | SN74LVC08ADR          |                  |
|                |                        | Reel of 250   | SN74LVC08ADT          |                  |
|                | SOP – NS               | Reel of 2000  | SN74LVC08ANSR         | LVC08A           |
|                | SSOP – DB              | Reel of 2000  | SN74LVC08ADBR         | LC08A            |
|                | TSSOP – PW             | Tube of 90    | SN74LVC08APW          | LC08A            |
|                |                        | Reel of 2000  | SN74LVC08APWR         |                  |
| Reel of 250    |                        | SN74LVC08APWT |                       |                  |
| –55°C to 125°C | CDIP – J               | Tube of 25    | SNJ54LVC08AJ          | SNJ54LVC08AJ     |
|                | CFP – W                | Tube of 150   | SNJ54LVC08AW          | SNJ54LVC08AW     |
|                | LCCC – FK              | Tube of 55    | SNJ54LVC08AFK         | SNJ54LVC08AFK    |

(1) Package drawings, standard packing quantities, thermal data, symbolization, and PCB design guidelines are available at [www.ti.com/sc/package](http://www.ti.com/sc/package).

## FUNCTION TABLE (EACH GATE)

| INPUTS |   | OUTPUT |
|--------|---|--------|
| A      | B | Y      |
| H      | H | H      |
| L      | X | L      |
| X      | L | L      |

## LOGIC DIAGRAM, EACH GATE (POSITIVE LOGIC)



**Absolute Maximum Ratings<sup>(1)</sup>**

over operating free-air temperature range (unless otherwise noted)

|               |  | MIN  | MAX            | UNIT    |
|---------------|--|--|----------------|---------|
| $V_{CC}$      | Supply voltage range                       | –0.5   | 6.5            | V       |
| $V_I$         | Input voltage range <sup>(2)</sup>         | –0.5   | 6.5            | V       |
| $V_O$         | Output voltage range <sup>(2)(3)</sup>     | –0.5   | $V_{CC} + 0.5$ | V       |
| $I_{IK}$      | Input clamp current                        | $V_I < 0$  |                | –50 mA  |
| $I_{OK}$      | Output clamp current                       | $V_O < 0$  |                | –50 mA  |
| $I_O$         | Continuous output current                  |  |                | ±50 mA  |
|               | Continuous current through $V_{CC}$ or GND |  |                | ±100 mA |
| $\theta_{JA}$ | Package thermal impedance                  | D package <sup>(4)</sup>                         |                | 86      |
|               |  | DB package <sup>(4)</sup>                        |                | 96      |
|               |  | NS package <sup>(4)</sup>                        |                | 76      |
|               |  | PW package <sup>(4)</sup>                        |                | 113     |
|               |  | RGY package <sup>(5)</sup>                       |                | 47      |
| $T_{stg}$     | Storage temperature range                  | –65  | 150            | °C      |
| $P_{tot}$     | Power dissipation <sup>(6)(7)</sup>        | $T_A = -40^\circ\text{C}$ to $125^\circ\text{C}$ |                | 500 mW  |

- (1) Stresses beyond those listed under "absolute maximum ratings" may cause permanent damage to the device. These are stress ratings only, and functional operation of the device at these or any other conditions beyond those indicated under "recommended operating conditions" is not implied. Exposure to absolute-maximum-rated conditions for extended periods may affect device reliability.
- (2) The input and output negative-voltage ratings may be exceeded if the input and output current ratings are observed.
- (3) The value of  $V_{CC}$  is provided in the recommended operating conditions table.
- (4) The package thermal impedance is calculated in accordance with JESD 51-7.
- (5) The package thermal impedance is calculated in accordance with JESD 51-5.
- (6) For the D package: above  $70^\circ\text{C}$ , the value of  $P_{tot}$  derates linearly with 8 mW/K.
- (7) For the DB, NS, and PW packages: above  $60^\circ\text{C}$ , the value of  $P_{tot}$  derates linearly with 5.5 mW/K.

# SN54LVC08A, SN74LVC08A QUADRUPLE 2-INPUT POSITIVE-AND GATES

SCAS283P–JANUARY 1993–REVISED AUGUST 2005



## Recommended Operating Conditions<sup>(1)</sup>

|                 |                                    | SN54LVC08A                       |     | UNIT |                 |    |
|-----------------|------------------------------------|----------------------------------|-----|------|-----------------|----|
|                 |                                    | –55°C to 125°C                   |     |      |                 |    |
|                 |                                    | MIN                              | MAX |      |                 |    |
| V <sub>CC</sub> | Supply voltage                     | Operating                        | 2   | 3.6  | V               |    |
|                 |                                    | Data retention only              | 1.5 |      |                 |    |
| V <sub>IH</sub> | High-level input voltage           | V <sub>CC</sub> = 2.7 V to 3.6 V |     | 2    | V               |    |
| V <sub>IL</sub> | Low-level input voltage            | V <sub>CC</sub> = 2.7 V to 3.6 V |     | 0.8  | V               |    |
| V <sub>I</sub>  | Input voltage                      |                                  |     | 0    | 5.5             | V  |
| V <sub>O</sub>  | Output voltage                     |                                  |     | 0    | V <sub>CC</sub> | V  |
| I <sub>OH</sub> | High-level output current          | V <sub>CC</sub> = 2.7 V          |     | –12  |                 | mA |
|                 |                                    | V <sub>CC</sub> = 3 V            |     | –24  |                 |    |
| I <sub>OL</sub> | Low-level output current           | V <sub>CC</sub> = 2.7 V          |     | 12   |                 | mA |
|                 |                                    | V <sub>CC</sub> = 3 V            |     | 24   |                 |    |
| Δt/Δv           | Input transition rise or fall rate |                                  |     | 8    | ns/V            |    |

(1) All unused inputs of the device must be held at V<sub>CC</sub> or GND to ensure proper device operation. Refer to the TI application report, *Implications of Slow or Floating CMOS Inputs*, literature number SCBA004.

## Recommended Operating Conditions<sup>(1)</sup>

|                 |                                    | SN74LVC08A                         |                        |               |                        |                |                        | UNIT |   |
|-----------------|------------------------------------|------------------------------------|------------------------|---------------|------------------------|----------------|------------------------|------|---|
|                 |                                    | T <sub>A</sub> = 25°C              |                        | –40°C to 85°C |                        | –40°C to 125°C |                        |      |   |
|                 |                                    | MIN                                | MAX                    | MIN           | MAX                    | MIN            | MAX                    |      |   |
| V <sub>CC</sub> | Supply voltage                     | Operating                          | 1.65                   | 3.6           | 1.65                   | 3.6            | 1.65                   | 3.6  | V |
|                 |                                    | Data retention only                | 1.5                    |               | 1.5                    |                | 1.5                    |      |   |
| V <sub>IH</sub> | High-level input voltage           | V <sub>CC</sub> = 1.65 V to 1.95 V | 0.65 × V <sub>CC</sub> |               | 0.65 × V <sub>CC</sub> |                | 0.65 × V <sub>CC</sub> |      | V |
|                 |                                    | V <sub>CC</sub> = 2.3 V to 2.7 V   | 1.7                    |               | 1.7                    |                | 1.7                    |      |   |
|                 |                                    | V <sub>CC</sub> = 2.7 V to 3.6 V   | 2                      |               | 2                      |                | 2                      |      |   |
| V <sub>IL</sub> | Low-level input voltage            | V <sub>CC</sub> = 1.65 V to 1.95 V | 0.35 × V <sub>CC</sub> |               | 0.35 × V <sub>CC</sub> |                | 0.35 × V <sub>CC</sub> |      | V |
|                 |                                    | V <sub>CC</sub> = 2.3 V to 2.7 V   | 0.7                    |               | 0.7                    |                | 0.7                    |      |   |
|                 |                                    | V <sub>CC</sub> = 2.7 V to 3.6 V   | 0.8                    |               | 0.8                    |                | 0.8                    |      |   |
| V <sub>I</sub>  | Input voltage                      | 0                                  | 5.5                    | 0             | 5.5                    | 0              | 5.5                    | V    |   |
| V <sub>O</sub>  | Output voltage                     | 0                                  | V <sub>CC</sub>        | 0             | V <sub>CC</sub>        | 0              | V <sub>CC</sub>        | V    |   |
| I <sub>OH</sub> | High-level output current          | V <sub>CC</sub> = 1.65 V           |                        | –4            |                        | –4             |                        | mA   |   |
|                 |                                    | V <sub>CC</sub> = 2.3 V            |                        | –8            |                        | –8             |                        |      |   |
|                 |                                    | V <sub>CC</sub> = 2.7 V            |                        | –12           |                        | –12            |                        |      |   |
|                 |                                    | V <sub>CC</sub> = 3 V              |                        | –24           |                        | –24            |                        |      |   |
| I <sub>OL</sub> | Low-level output current           | V <sub>CC</sub> = 1.65 V           |                        | 4             |                        | 4              |                        | mA   |   |
|                 |                                    | V <sub>CC</sub> = 2.3 V            |                        | 8             |                        | 8              |                        |      |   |
|                 |                                    | V <sub>CC</sub> = 2.7 V            |                        | 12            |                        | 12             |                        |      |   |
|                 |                                    | V <sub>CC</sub> = 3 V              |                        | 24            |                        | 24             |                        |      |   |
| Δt/Δv           | Input transition rise or fall rate | 8                                  |                        | 8             |                        | 8              |                        | ns/V |   |

(1) All unused inputs of the device must be held at V<sub>CC</sub> or GND to ensure proper device operation. Refer to the TI application report, *Implications of Slow or Floating CMOS Inputs*, literature number SCBA004.

### Electrical Characteristics

over recommended operating free-air temperature range (unless otherwise noted)

| PARAMETER        | TEST CONDITIONS  | V <sub>CC</sub> | SN54LVC08A            |                    |     | UNIT |
|------------------|--|-----------------|-----------------------|--------------------|-----|------|
|                  |  |                 | –55°C to 125°C        |                    |     |      |
|                  |  |                 | MIN                   | TYP <sup>(1)</sup> | MAX |      |
| V <sub>OH</sub>  | I <sub>OH</sub> = –100 μA  | 2.7 V to 3.6 V  | V <sub>CC</sub> – 0.2 |                    |     | V    |
|                  | I <sub>OH</sub> = –12 mA   | 2.7 V           | 2.2                   |                    |     |      |
|                  |  | 3 V             | 2.4                   |                    |     |      |
|                  | I <sub>OH</sub> = –24 mA   | 3 V             | 2.2                   |                    |     |      |
| V <sub>OL</sub>  | I <sub>OL</sub> = 100 μA   | 2.7 V to 3.6 V  | 0.2                   |                    |     | V    |
|                  | I <sub>OL</sub> = 12 mA  | 2.7 V           | 0.4                   |                    |     |      |
|                  | I <sub>OL</sub> = 24 mA  | 3 V             | 0.55                  |                    |     |      |
| I <sub>I</sub>   | V <sub>I</sub> = 5.5 V or GND  | 3.6 V           | ±5                    |                    |     | μA   |
| I <sub>CC</sub>  | V <sub>I</sub> = V <sub>CC</sub> or GND, I <sub>O</sub> = 0                  | 3.6 V           | 10                    |                    |     | μA   |
| ΔI <sub>CC</sub> | One input at V <sub>CC</sub> – 0.6 V, Other inputs at V <sub>CC</sub> or GND | 2.7 V to 3.6 V  | 500                   |                    |     | μA   |
| C <sub>i</sub>   | V <sub>I</sub> = V <sub>CC</sub> or GND                                      | 3.3 V           | 5                     |                    |     | pF   |

(1) T<sub>A</sub> = 25°C

### Electrical Characteristics

over recommended operating free-air temperature range (unless otherwise noted)

| PARAMETER                | TEST CONDITIONS  | V <sub>CC</sub> | SN74LVC08A            |     |     |                       |     |                       | UNIT |     |
|--------------------------|--|-----------------|-----------------------|-----|-----|-----------------------|-----|-----------------------|------|-----|
|                          |  |                 | T <sub>A</sub> = 25°C |     |     | –40°C to 85°C         |     | –40°C to 125°C        |      |     |
|                          |  |                 | MIN                   | TYP | MAX | MIN                   | MAX | MIN                   |      | MAX |
| V <sub>OH</sub>          | I <sub>OH</sub> = –100 μA  | 1.65 V to 3.6 V | V <sub>CC</sub> – 0.2 |     |     | V <sub>CC</sub> – 0.2 |     | V <sub>CC</sub> – 0.3 |      | V   |
|                          | I <sub>OH</sub> = –4 mA  | 1.65 V          | 1.29                  |     |     | 1.2                   |     | 1.05                  |      |     |
|                          |  | 2.3 V           | 1.9                   |     |     | 1.7                   |     | 1.55                  |      |     |
|                          | I <sub>OH</sub> = –12 mA   | 2.7 V           | 2.2                   |     |     | 2.2                   |     | 2.05                  |      |     |
|                          |  | 3 V             | 2.4                   |     |     | 2.4                   |     | 2.25                  |      |     |
| I <sub>OH</sub> = –24 mA | 3 V  | 2.3             |                       |     | 2.2 |                       | 2   |                       |      |     |
| V <sub>OL</sub>          | I <sub>OL</sub> = 100 μA   | 1.65 V to 3.6 V | 0.1                   |     |     | 0.2                   |     | 0.3                   |      | V   |
|                          | I <sub>OL</sub> = 4 mA   | 1.65 V          | 0.24                  |     |     | 0.45                  |     | 0.6                   |      |     |
|                          |  | 2.3 V           | 0.3                   |     |     | 0.7                   |     | 0.75                  |      |     |
|                          | I <sub>OL</sub> = 12 mA  | 2.7 V           | 0.4                   |     |     | 0.4                   |     | 0.6                   |      |     |
|                          |  | 3 V             | 0.55                  |     |     | 0.55                  |     | 0.8                   |      |     |
| I <sub>I</sub>           | V <sub>I</sub> = 5.5 V or GND  | 3.6 V           | ±1                    |     |     | ±5                    |     | ±20                   |      | μA  |
| I <sub>CC</sub>          | V <sub>I</sub> = V <sub>CC</sub> or GND, I <sub>O</sub> = 0                  | 3.6 V           | 1                     |     |     | 10                    |     | 40                    |      | μA  |
| ΔI <sub>CC</sub>         | One input at V <sub>CC</sub> – 0.6 V, Other inputs at V <sub>CC</sub> or GND | 2.7 V to 3.6 V  | 500                   |     |     | 500                   |     | 5000                  |      | μA  |
| C <sub>i</sub>           | V <sub>I</sub> = V <sub>CC</sub> or GND                                      | 3.3 V           | 5                     |     |     |                       |     |                       |      | pF  |

# SN54LVC08A, SN74LVC08A QUADRUPLE 2-INPUT POSITIVE-AND GATES

SCAS283P–JANUARY 1993–REVISED AUGUST 2005



## Switching Characteristics

over recommended operating free-air temperature range (unless otherwise noted) (see Figure 1)

| PARAMETER       | FROM (INPUT) | TO (OUTPUT) | V <sub>CC</sub> | SN54LVC08A     |     | UNIT |
|-----------------|--------------|-------------|-----------------|----------------|-----|------|
|                 |              |             |                 | –55°C to 125°C |     |      |
|                 |              |             |                 | MIN            | MAX |      |
| t <sub>pd</sub> | A or B       | Y           | 2.7 V           | 4.8            |     | ns   |
|                 |              |             | 3.3 V ± 0.3 V   | 1              | 4.1 |      |

## Switching Characteristics

over recommended operating free-air temperature range (unless otherwise noted) (see Figure 1)

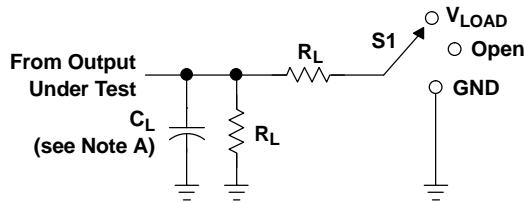
| PARAMETER          | FROM (INPUT) | TO (OUTPUT) | V <sub>CC</sub> | SN74LVC08A            |     |     |               |     |                | UNIT |     |
|--------------------|--------------|-------------|-----------------|-----------------------|-----|-----|---------------|-----|----------------|------|-----|
|                    |              |             |                 | T <sub>A</sub> = 25°C |     |     | –40°C to 85°C |     | –40°C to 125°C |      |     |
|                    |              |             |                 | MIN                   | TYP | MAX | MIN           | MAX | MIN            |      | MAX |
| t <sub>pd</sub>    | A or B       | Y           | 1.8 V ± 0.15 V  | 1                     | 5   | 9.3 | 1             | 9.8 | 1              | 11.3 | ns  |
|                    |              |             | 2.5 V ± 0.2 V   | 1                     | 2.9 | 6.4 | 1             | 6.9 | 1              | 9    |     |
|                    |              |             | 2.7 V           | 1                     | 3   | 4.6 | 1             | 4.8 | 1              | 6    |     |
|                    |              |             | 3.3 V ± 0.3 V   | 1                     | 2.6 | 3.9 | 1             | 4.1 | 1              | 5.5  |     |
| t <sub>sk(o)</sub> |              |             | 3.3 V ± 0.3 V   |                       |     |     |               | 1   |                | 1.5  | ns  |

## Operating Characteristics

T<sub>A</sub> = 25°C

| PARAMETER       |  | TEST CONDITIONS | V <sub>CC</sub> | TYP | UNIT |
|-----------------|--|-----------------|-----------------|-----|------|
| C <sub>pd</sub> | Power dissipation capacitance per gate | f = 10 MHz      | 1.8 V           | 7   | pF   |
|                 |  |                 | 2.5 V           | 9.8 |      |
|                 |  |                 | 3.3 V           | 10  |      |

PARAMETER MEASUREMENT INFORMATION



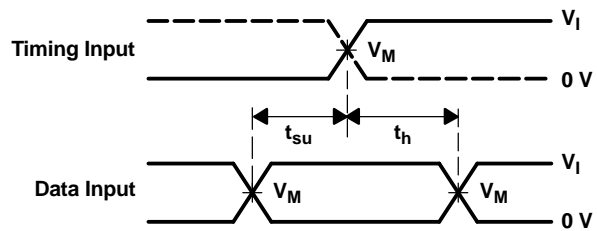
LOAD CIRCUIT

| TEST              | S1         |
|-------------------|------------|
| $t_{PLH}/t_{PHL}$ | Open       |
| $t_{PLZ}/t_{PZL}$ | $V_{LOAD}$ |
| $t_{PHZ}/t_{PZH}$ | GND        |

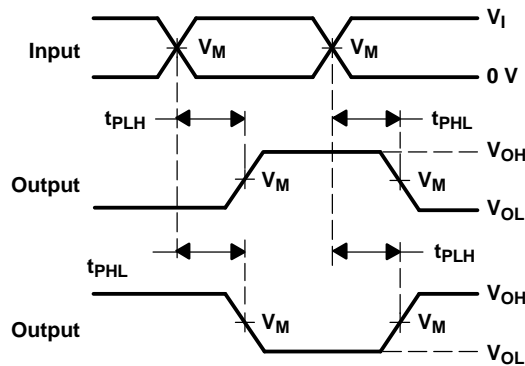
| $V_{CC}$                         | INPUTS   |                      | $V_M$      | $V_{LOAD}$        | $C_L$ | $R_L$        | $V_{\Delta}$ |
|----------------------------------|----------|----------------------|------------|-------------------|-------|--------------|--------------|
|                                  | $V_I$    | $t_r/t_f$            |            |                   |       |              |              |
| $1.8\text{ V} \pm 0.15\text{ V}$ | $V_{CC}$ | $\leq 2\text{ ns}$   | $V_{CC}/2$ | $2 \times V_{CC}$ | 30 pF | 1 k $\Omega$ | 0.15 V       |
| $2.5\text{ V} \pm 0.2\text{ V}$  | $V_{CC}$ | $\leq 2\text{ ns}$   | $V_{CC}/2$ | $2 \times V_{CC}$ | 30 pF | 500 $\Omega$ | 0.15 V       |
| 2.7 V                            | 2.7 V    | $\leq 2.5\text{ ns}$ | 1.5 V      | 6 V               | 50 pF | 500 $\Omega$ | 0.3 V        |
| $3.3\text{ V} \pm 0.3\text{ V}$  | 2.7 V    | $\leq 2.5\text{ ns}$ | 1.5 V      | 6 V               | 50 pF | 500 $\Omega$ | 0.3 V        |



VOLTAGE WAVEFORMS  
PULSE DURATION



VOLTAGE WAVEFORMS  
SETUP AND HOLD TIMES



VOLTAGE WAVEFORMS  
PROPAGATION DELAY TIMES  
INVERTING AND NONINVERTING OUTPUTS



VOLTAGE WAVEFORMS  
ENABLE AND DISABLE TIMES  
LOW- AND HIGH-LEVEL ENABLING

- NOTES:
- A.  $C_L$  includes probe and jig capacitance.
  - B. Waveform 1 is for an output with internal conditions such that the output is low, except when disabled by the output control. Waveform 2 is for an output with internal conditions such that the output is high, except when disabled by the output control.
  - C. All input pulses are supplied by generators having the following characteristics:  $PRR \leq 10\text{ MHz}$ ,  $Z_O = 50\ \Omega$ .
  - D. The outputs are measured one at a time, with one transition per measurement.
  - E.  $t_{PLZ}$  and  $t_{PHZ}$  are the same as  $t_{dis}$ .
  - F.  $t_{PZL}$  and  $t_{PZH}$  are the same as  $t_{en}$ .
  - G.  $t_{PLH}$  and  $t_{PHL}$  are the same as  $t_{pd}$ .
  - H. All parameters and waveforms are not applicable to all devices.

Figure 1. Load Circuit and Voltage Waveforms

**PACKAGING INFORMATION**

| Orderable Device | Status <sup>(1)</sup> | Package Type | Package Drawing | Pins | Package Qty | Eco Plan <sup>(2)</sup> | Lead/Ball Finish | MSL Peak Temp <sup>(3)</sup> |
|------------------|-----------------------|--------------|-----------------|------|-------------|-------------------------|------------------|------------------------------|
| 5962-9753401Q2A  | ACTIVE                | LCCC         | FK              | 20   | 1           | TBD                     | POST-PLATE       | N / A for Pkg Type           |
| 5962-9753401QCA  | ACTIVE                | CDIP         | J               | 14   | 1           | TBD                     | A42 SNPB         | N / A for Pkg Type           |
| 5962-9753401QDA  | ACTIVE                | CFP          | W               | 14   | 1           | TBD                     | A42              | N / A for Pkg Type           |
| SN74LVC08AD      | ACTIVE                | SOIC         | D               | 14   | 50          | Green (RoHS & no Sb/Br) | CU NIPDAU        | Level-1-260C-UNLIM           |
| SN74LVC08ADBLE   | OBSOLETE              | SSOP         | DB              | 14   |             | TBD                     | Call TI          | Call TI                      |
| SN74LVC08ADBR    | ACTIVE                | SSOP         | DB              | 14   | 2000        | Green (RoHS & no Sb/Br) | CU NIPDAU        | Level-1-260C-UNLIM           |
| SN74LVC08ADBRE4  | ACTIVE                | SSOP         | DB              | 14   | 2000        | Green (RoHS & no Sb/Br) | CU NIPDAU        | Level-1-260C-UNLIM           |
| SN74LVC08ADBRG4  | ACTIVE                | SSOP         | DB              | 14   | 2000        | Green (RoHS & no Sb/Br) | CU NIPDAU        | Level-1-260C-UNLIM           |
| SN74LVC08ADE4    | ACTIVE                | SOIC         | D               | 14   | 50          | Green (RoHS & no Sb/Br) | CU NIPDAU        | Level-1-260C-UNLIM           |
| SN74LVC08ADR     | ACTIVE                | SOIC         | D               | 14   | 2500        | Green (RoHS & no Sb/Br) | CU NIPDAU        | Level-1-260C-UNLIM           |
| SN74LVC08ADRE4   | ACTIVE                | SOIC         | D               | 14   | 2500        | Green (RoHS & no Sb/Br) | CU NIPDAU        | Level-1-260C-UNLIM           |
| SN74LVC08ADRG4   | ACTIVE                | SOIC         | D               | 14   | 2500        | Green (RoHS & no Sb/Br) | CU NIPDAU        | Level-1-260C-UNLIM           |
| SN74LVC08ADT     | ACTIVE                | SOIC         | D               | 14   | 250         | Green (RoHS & no Sb/Br) | CU NIPDAU        | Level-1-260C-UNLIM           |
| SN74LVC08ADTE4   | ACTIVE                | SOIC         | D               | 14   | 250         | Green (RoHS & no Sb/Br) | CU NIPDAU        | Level-1-260C-UNLIM           |
| SN74LVC08ANSR    | ACTIVE                | SO           | NS              | 14   | 2000        | Green (RoHS & no Sb/Br) | CU NIPDAU        | Level-1-260C-UNLIM           |
| SN74LVC08ANSRE4  | ACTIVE                | SO           | NS              | 14   | 2000        | Green (RoHS & no Sb/Br) | CU NIPDAU        | Level-1-260C-UNLIM           |
| SN74LVC08ANSRG4  | ACTIVE                | SO           | NS              | 14   | 2000        | Green (RoHS & no Sb/Br) | CU NIPDAU        | Level-1-260C-UNLIM           |
| SN74LVC08APW     | ACTIVE                | TSSOP        | PW              | 14   | 90          | Green (RoHS & no Sb/Br) | CU NIPDAU        | Level-1-260C-UNLIM           |
| SN74LVC08APWE4   | ACTIVE                | TSSOP        | PW              | 14   | 90          | Green (RoHS & no Sb/Br) | CU NIPDAU        | Level-1-260C-UNLIM           |
| SN74LVC08APWLE   | OBSOLETE              | TSSOP        | PW              | 14   |             | TBD                     | Call TI          | Call TI                      |
| SN74LVC08APWR    | ACTIVE                | TSSOP        | PW              | 14   | 2000        | Green (RoHS & no Sb/Br) | CU NIPDAU        | Level-1-260C-UNLIM           |
| SN74LVC08APWRE4  | ACTIVE                | TSSOP        | PW              | 14   | 2000        | Green (RoHS & no Sb/Br) | CU NIPDAU        | Level-1-260C-UNLIM           |
| SN74LVC08APWRG4  | ACTIVE                | TSSOP        | PW              | 14   | 2000        | Green (RoHS & no Sb/Br) | CU NIPDAU        | Level-1-260C-UNLIM           |
| SN74LVC08APWT    | ACTIVE                | TSSOP        | PW              | 14   | 250         | Green (RoHS & no Sb/Br) | CU NIPDAU        | Level-1-260C-UNLIM           |
| SN74LVC08APWTE4  | ACTIVE                | TSSOP        | PW              | 14   | 250         | Green (RoHS & no Sb/Br) | CU NIPDAU        | Level-1-260C-UNLIM           |
| SN74LVC08APWTG4  | ACTIVE                | TSSOP        | PW              | 14   | 250         | Green (RoHS & no Sb/Br) | CU NIPDAU        | Level-1-260C-UNLIM           |
| SN74LVC08ARGYR   | ACTIVE                | QFN          | RGY             | 14   | 1000        | Green (RoHS & no Sb/Br) | CU NIPDAU        | Level-2-260C-1YEAR           |

| Orderable Device | Status <sup>(1)</sup> | Package Type | Package Drawing | Pins | Package Qty | Eco Plan <sup>(2)</sup> | Lead/Ball Finish | MSL Peak Temp <sup>(3)</sup> |
|------------------|-----------------------|--------------|-----------------|------|-------------|-------------------------|------------------|------------------------------|
| SN74LVC08ARGYRG4 | ACTIVE                | QFN          | RGY             | 14   | 1000        | Green (RoHS & no Sb/Br) | CU NIPDAU        | Level-2-260C-1YEAR           |
| SNJ54LVC08AFK    | ACTIVE                | LCCC         | FK              | 20   | 1           | TBD                     | POST-PLATE       | N / A for Pkg Type           |
| SNJ54LVC08AJ     | ACTIVE                | CDIP         | J               | 14   | 1           | TBD                     | A42 SNPB         | N / A for Pkg Type           |
| SNJ54LVC08AW     | ACTIVE                | CFP          | W               | 14   | 1           | TBD                     | A42              | N / A for Pkg Type           |

<sup>(1)</sup> The marketing status values are defined as follows:

**ACTIVE:** Product device recommended for new designs.

**LIFEBUY:** TI has announced that the device will be discontinued, and a lifetime-buy period is in effect.

**NRND:** Not recommended for new designs. Device is in production to support existing customers, but TI does not recommend using this part in a new design.

**PREVIEW:** Device has been announced but is not in production. Samples may or may not be available.

**OBsolete:** TI has discontinued the production of the device.

<sup>(2)</sup> Eco Plan - The planned eco-friendly classification: Pb-Free (RoHS), Pb-Free (RoHS Exempt), or Green (RoHS & no Sb/Br) - please check <http://www.ti.com/productcontent> for the latest availability information and additional product content details.

**TBD:** The Pb-Free/Green conversion plan has not been defined.

**Pb-Free (RoHS):** TI's terms "Lead-Free" or "Pb-Free" mean semiconductor products that are compatible with the current RoHS requirements for all 6 substances, including the requirement that lead not exceed 0.1% by weight in homogeneous materials. Where designed to be soldered at high temperatures, TI Pb-Free products are suitable for use in specified lead-free processes.

**Pb-Free (RoHS Exempt):** This component has a RoHS exemption for either 1) lead-based flip-chip solder bumps used between the die and package, or 2) lead-based die adhesive used between the die and leadframe. The component is otherwise considered Pb-Free (RoHS compatible) as defined above.

**Green (RoHS & no Sb/Br):** TI defines "Green" to mean Pb-Free (RoHS compatible), and free of Bromine (Br) and Antimony (Sb) based flame retardants (Br or Sb do not exceed 0.1% by weight in homogeneous material)

<sup>(3)</sup> MSL, Peak Temp. -- The Moisture Sensitivity Level rating according to the JEDEC industry standard classifications, and peak solder temperature.

**Important Information and Disclaimer:** The information provided on this page represents TI's knowledge and belief as of the date that it is provided. TI bases its knowledge and belief on information provided by third parties, and makes no representation or warranty as to the accuracy of such information. Efforts are underway to better integrate information from third parties. TI has taken and continues to take reasonable steps to provide representative and accurate information but may not have conducted destructive testing or chemical analysis on incoming materials and chemicals. TI and TI suppliers consider certain information to be proprietary, and thus CAS numbers and other limited information may not be available for release.

In no event shall TI's liability arising out of such information exceed the total purchase price of the TI part(s) at issue in this document sold by TI to Customer on an annual basis.

# J (R-GDIP-T\*\*)

14 LEADS SHOWN

# CERAMIC DUAL IN-LINE PACKAGE



| DIM \ PINS ** | 14                     | 16                     | 18                     | 20                     |
|---------------|------------------------|------------------------|------------------------|------------------------|
| A             | 0.300<br>(7,62)<br>BSC | 0.300<br>(7,62)<br>BSC | 0.300<br>(7,62)<br>BSC | 0.300<br>(7,62)<br>BSC |
| B MAX         | 0.785<br>(19,94)       | .840<br>(21,34)        | 0.960<br>(24,38)       | 1.060<br>(26,92)       |
| B MIN         | —                      | —                      | —                      | —                      |
| C MAX         | 0.300<br>(7,62)        | 0.300<br>(7,62)        | 0.310<br>(7,87)        | 0.300<br>(7,62)        |
| C MIN         | 0.245<br>(6,22)        | 0.245<br>(6,22)        | 0.220<br>(5,59)        | 0.245<br>(6,22)        |

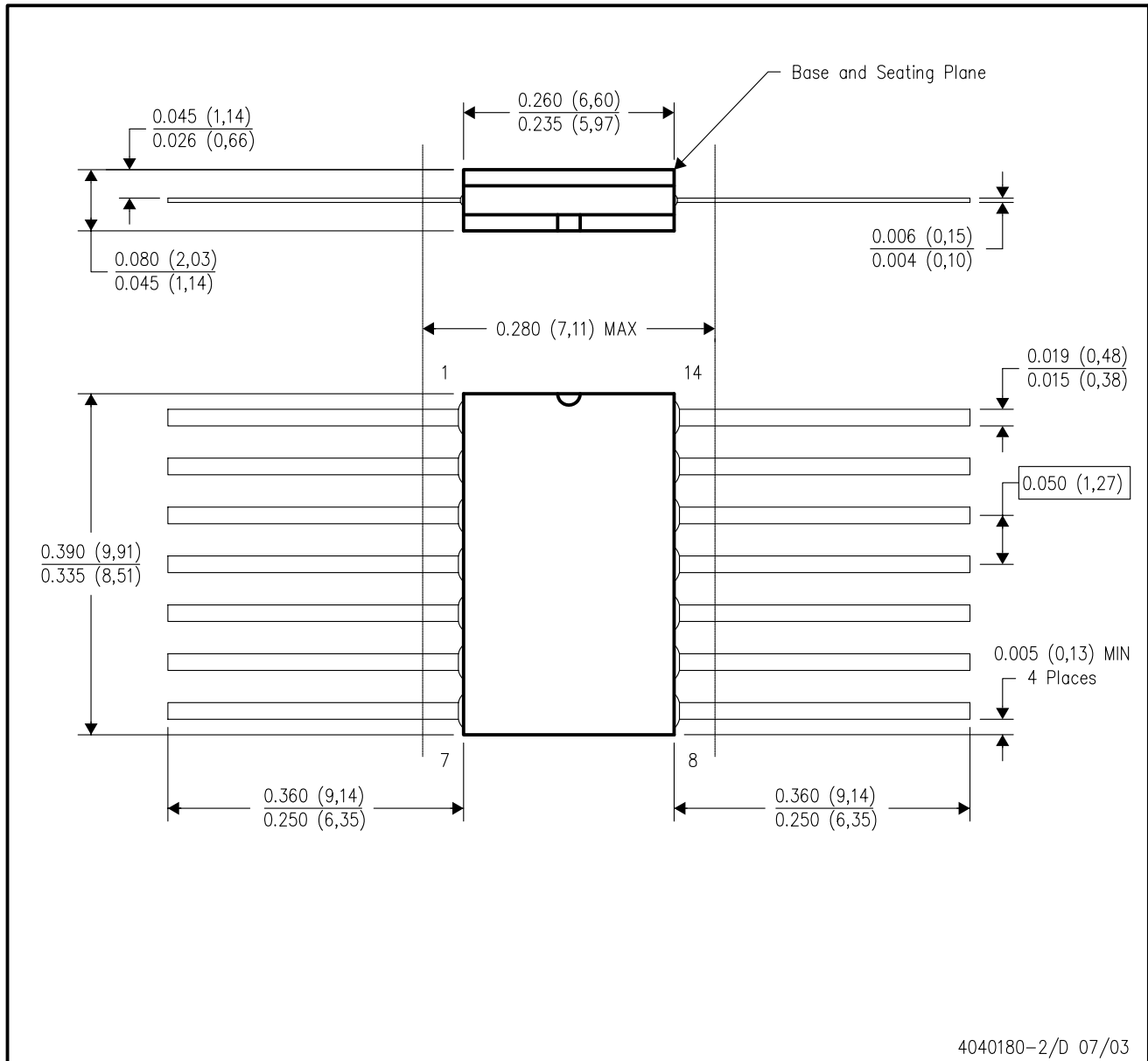


4040083/F 03/03

- NOTES:
- A. All linear dimensions are in inches (millimeters).
  - B. This drawing is subject to change without notice.
  - C. This package is hermetically sealed with a ceramic lid using glass frit.
  - D. Index point is provided on cap for terminal identification only on press ceramic glass frit seal only.
  - E. Falls within MIL STD 1835 GDIP1-T14, GDIP1-T16, GDIP1-T18 and GDIP1-T20.

W (R-GDFP-F14)

CERAMIC DUAL FLATPACK



4040180-2/D 07/03

- NOTES:
- A. All linear dimensions are in inches (millimeters).
  - B. This drawing is subject to change without notice.
  - C. This package can be hermetically sealed with a ceramic lid using glass frit.
  - D. Index point is provided on cap for terminal identification only.
  - E. Falls within MIL STD 1835 GDFP1-F14 and JEDEC MO-092AB

FK (S-CQCC-N\*\*)

LEADLESS CERAMIC CHIP CARRIER

28 TERMINAL SHOWN



- NOTES:
- A. All linear dimensions are in inches (millimeters).
  - B. This drawing is subject to change without notice.
  - C. This package can be hermetically sealed with a metal lid.
  - D. The terminals are gold plated.
  - E. Falls within JEDEC MS-004

D (R-PDSO-G14)

PLASTIC SMALL-OUTLINE PACKAGE



- NOTES:
- A. All linear dimensions are in inches (millimeters).
  - B. This drawing is subject to change without notice.
  - C. Body dimensions do not include mold flash or protrusion not to exceed 0.006 (0,15).
  - D. Falls within JEDEC MS-012 variation AB.

RGY (S-PQFP-N14)

PLASTIC QUAD FLATPACK



4203539-2/G 04/2005

- NOTES:
- A. All linear dimensions are in millimeters. Dimensioning and tolerancing per ASME Y14.5M-1994.
  - B. This drawing is subject to change without notice.
  - C. QFN (Quad Flatpack No-Lead) package configuration.
  - D. The package thermal pad must be soldered to the board for thermal and mechanical performance.
  - E. Pin 1 identifiers are located on both top and bottom of the package and within the zone indicated. The Pin 1 identifiers are either a molded, marked, or metal feature.
  - F. Package complies to JEDEC MO-241 variation BA.

# MECHANICAL DATA

NS (R-PDSO-G\*\*)

PLASTIC SMALL-OUTLINE PACKAGE

14-PINS SHOWN



- NOTES:
- A. All linear dimensions are in millimeters.
  - B. This drawing is subject to change without notice.
  - C. Body dimensions do not include mold flash or protrusion, not to exceed 0,15.

DB (R-PDSO-G\*\*)

PLASTIC SMALL-OUTLINE

28 PINS SHOWN



- NOTES: A. All linear dimensions are in millimeters.  
 B. This drawing is subject to change without notice.  
 C. Body dimensions do not include mold flash or protrusion not to exceed 0,15.  
 D. Falls within JEDEC MO-150

PW (R-PDSO-G\*\*)

PLASTIC SMALL-OUTLINE PACKAGE

14 PINS SHOWN



4040064/F 01/97

- NOTES: A. All linear dimensions are in millimeters.  
 B. This drawing is subject to change without notice.  
 C. Body dimensions do not include mold flash or protrusion not to exceed 0,15.  
 D. Falls within JEDEC MO-153

## IMPORTANT NOTICE

Texas Instruments Incorporated and its subsidiaries (TI) reserve the right to make corrections, modifications, enhancements, improvements, and other changes to its products and services at any time and to discontinue any product or service without notice. Customers should obtain the latest relevant information before placing orders and should verify that such information is current and complete. All products are sold subject to TI's terms and conditions of sale supplied at the time of order acknowledgment.

TI warrants performance of its hardware products to the specifications applicable at the time of sale in accordance with TI's standard warranty. Testing and other quality control techniques are used to the extent TI deems necessary to support this warranty. Except where mandated by government requirements, testing of all parameters of each product is not necessarily performed.

TI assumes no liability for applications assistance or customer product design. Customers are responsible for their products and applications using TI components. To minimize the risks associated with customer products and applications, customers should provide adequate design and operating safeguards.

TI does not warrant or represent that any license, either express or implied, is granted under any TI patent right, copyright, mask work right, or other TI intellectual property right relating to any combination, machine, or process in which TI products or services are used. Information published by TI regarding third-party products or services does not constitute a license from TI to use such products or services or a warranty or endorsement thereof. Use of such information may require a license from a third party under the patents or other intellectual property of the third party, or a license from TI under the patents or other intellectual property of TI.

Reproduction of information in TI data books or data sheets is permissible only if reproduction is without alteration and is accompanied by all associated warranties, conditions, limitations, and notices. Reproduction of this information with alteration is an unfair and deceptive business practice. TI is not responsible or liable for such altered documentation.

Resale of TI products or services with statements different from or beyond the parameters stated by TI for that product or service voids all express and any implied warranties for the associated TI product or service and is an unfair and deceptive business practice. TI is not responsible or liable for any such statements.

Following are URLs where you can obtain information on other Texas Instruments products and application solutions:

| <b>Products</b>    |  | <b>Applications</b> |  |
|--------------------|--|---------------------|--|
| Amplifiers         | <a href="http://amplifier.ti.com">amplifier.ti.com</a>             | Audio               | <a href="http://www.ti.com/audio">www.ti.com/audio</a>                   |
| Data Converters    | <a href="http://dataconverter.ti.com">dataconverter.ti.com</a>     | Automotive          | <a href="http://www.ti.com/automotive">www.ti.com/automotive</a>         |
| DSP                | <a href="http://dsp.ti.com">dsp.ti.com</a>                         | Broadband           | <a href="http://www.ti.com/broadband">www.ti.com/broadband</a>           |
| Interface          | <a href="http://interface.ti.com">interface.ti.com</a>             | Digital Control     | <a href="http://www.ti.com/digitalcontrol">www.ti.com/digitalcontrol</a> |
| Logic              | <a href="http://logic.ti.com">logic.ti.com</a>                     | Military            | <a href="http://www.ti.com/military">www.ti.com/military</a>             |
| Power Mgmt         | <a href="http://power.ti.com">power.ti.com</a>                     | Optical Networking  | <a href="http://www.ti.com/opticalnetwork">www.ti.com/opticalnetwork</a> |
| Microcontrollers   | <a href="http://microcontroller.ti.com">microcontroller.ti.com</a> | Security            | <a href="http://www.ti.com/security">www.ti.com/security</a>             |
| Low Power Wireless | <a href="http://www.ti.com/lpw">www.ti.com/lpw</a>                 | Telephony           | <a href="http://www.ti.com/telephony">www.ti.com/telephony</a>           |
|                    |  | Video & Imaging     | <a href="http://www.ti.com/video">www.ti.com/video</a>                   |
|                    |  | Wireless            | <a href="http://www.ti.com/wireless">www.ti.com/wireless</a>             |

Mailing Address: Texas Instruments  
Post Office Box 655303 Dallas, Texas 75265