

SN65LBC184, SN75LBC184 DIFFERENTIAL TRANSCIVER WITH TRANSIENT VOLTAGE SUPPRESSION

SLLS236F – OCTOBER 1996 – REVISED APRIL 2005

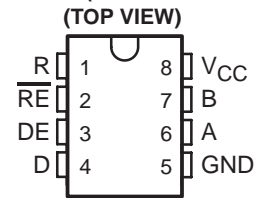
- Integrated Transient Voltage Suppression
- ESD Protection for Bus Terminals Exceeds:
 - ±30 kV IEC 61000-4-2, Contact Discharge
 - ±15 kV IEC 61000-4-2, Air-Gap Discharge
 - ±15 kV EIA/JEDEC Human Body Model
- Circuit Damage Protection of 400-W Peak (Typical) Per IEC 61000-4-5
- Controlled Driver Output-Voltage Slew Rates Allow Longer Cable Stub Lengths
- 250-kbps in Electrically Noisy Environments
- Open-Circuit Fail-Safe Receiver Design
- 1/4 Unit Load Allows for 128 Devices Connected on Bus
- Thermal Shutdown Protection
- Power-Up/-Down Glitch Protection
- Each Transceiver Meets or Exceeds the Requirements of TIA/EIA-485 (RS-485) and ISO/IEC 8482:1993(E) Standards
- Low Disabled Supply Current 300 μ A Max
- Pin Compatible With SN75176
- Applications:
 - Industrial Networks
 - Utility Meters
 - Motor Control

description

The SN75LBC184 and SN65LBC184 are differential data line transceivers in the trade-standard footprint of the SN75176 with built-in protection against high-energy noise transients. This feature provides a substantial increase in reliability for better immunity to noise transients coupled to the data cable over most existing devices. Use of these circuits provides a reliable low-cost direct-coupled (with no isolation transformer) data line interface without requiring any external components.

The SN75LBC184 and SN65LBC184 can withstand overvoltage transients of 400-W peak (typical). The conventional combination wave called out in IEC 61000-4-5 simulates the overvoltage transient and models a unidirectional surge caused by overvoltages from switching and secondary lightning transients.

SN65LBC184D (Marked as 6LB184)
SN75LBC184D (Marked as 7LB184)
SN65LBC184P (Marked as 65LBC184)
SN75LBC184P (Marked as 75LBC184)



functional logic diagram (positive logic)

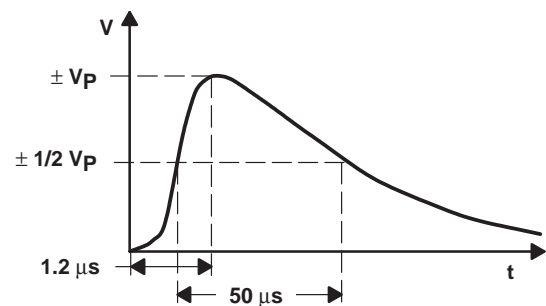
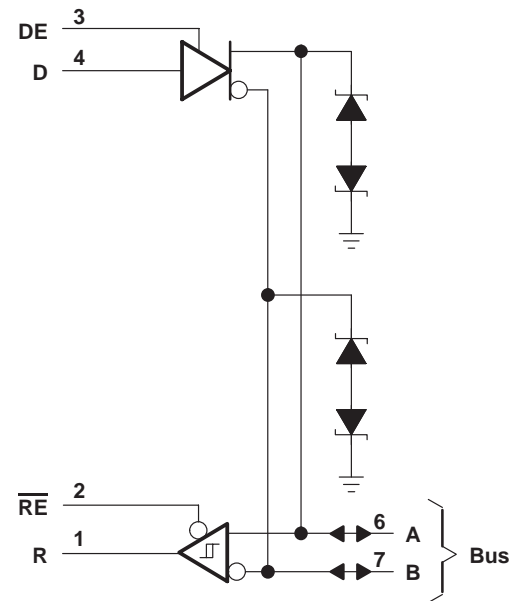


Figure 1. Surge Waveform — Combination Wave



Please be aware that an important notice concerning availability, standard warranty, and use in critical applications of Texas Instruments semiconductor products and disclaimers thereto appears at the end of this data sheet.

PRODUCTION DATA information is current as of publication date. Products conform to specifications per the terms of Texas Instruments standard warranty. Production processing does not necessarily include testing of all parameters.

**TEXAS
INSTRUMENTS**

POST OFFICE BOX 655303 • DALLAS, TEXAS 75265

Copyright © 2002, Texas Instruments Incorporated

SN65LBC184, SN75LBC184 DIFFERENTIAL TRANSCEIVER WITH TRANSIENT VOLTAGE SUPPRESSION

SLLS236F – OCTOBER 1996 – REVISED APRIL 2005

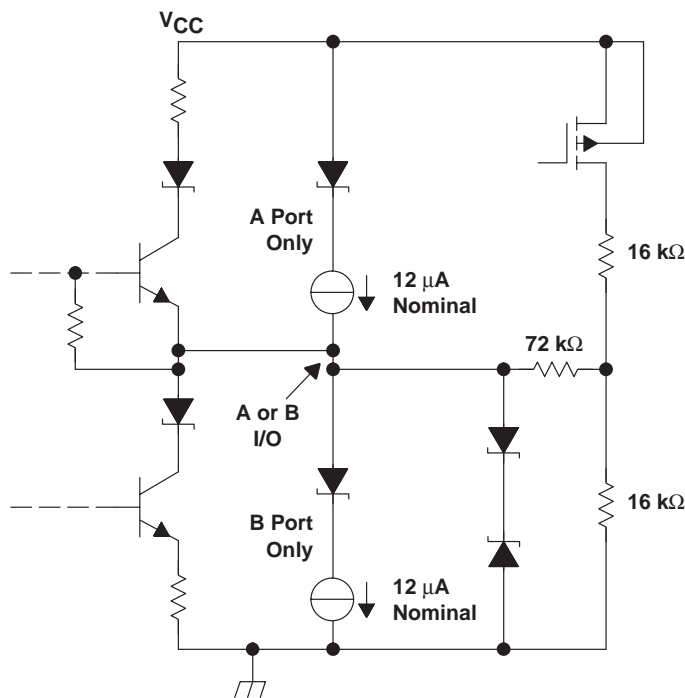
description (continued)

A biexponential function defined by separate rise and fall times for voltage and current simulates the combination wave. The standard 1.2 μ s/50 μ s combination waveform is shown in Figure 1 and in the test description in Figure 15.

The device also includes additional desirable features for party-line data buses in electrically noisy environment applications including industrial process control. The differential-driver design incorporates slew-rate-controlled outputs sufficient to transmit data up to 250 kbps. Slew-rate control allows longer unterminated cable runs and longer stub lengths from the main backbone than possible with uncontrolled and faster voltage transitions. A unique receiver design provides a fail-safe output of a high level when the inputs are left floating (open circuit). The SN75LBC184 and SN65LBC184 receiver also includes a high input resistance equivalent to one-fourth unit load allowing connection of up to 128 similar devices on the bus.

The SN75LBC184 is characterized for operation from 0°C to 70°C. The SN65LBC184 is characterized from -40°C to 85°C.

schematic of inputs and outputs



SN65LBC184, SN75LBC184 DIFFERENTIAL TRANSCIEVER WITH TRANSIENT VOLTAGE SUPPRESSION

SLLS236F – OCTOBER 1996 – REVISED APRIL 2005

DRIVER FUNCTION TABLE

INPUT	ENABLE	OUTPUTS	
D	DE	A	B
H	H	H	L
L	H	L	H
X	L	Z	Z

H = high level, L = low level, ? = indeterminate, X = irrelevant, Z = high impedance (off)

RECEIVER FUNCTION TABLE

DIFFERENTIAL INPUTS	ENABLE	OUTPUT
A – B	\overline{RE}	R
$V_{ID} \geq 0.2 V$	L	H
$-0.2 V < V_{ID} < 0.2 V$	L	?
$V_{ID} \leq -0.2 V$	L	L
X	H	Z
Open	L	H

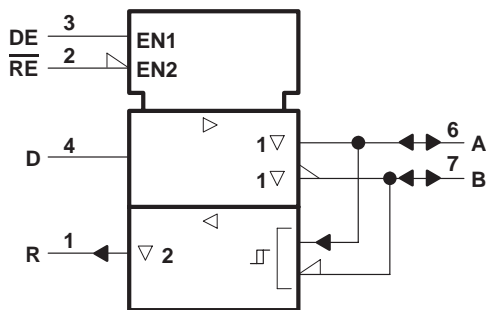
H = high level, L = low level, ? = indeterminate, X = irrelevant, Z = high impedance (off)

AVAILABLE OPTIONS

T _A	PACKAGE	
	PLASTIC SMALL-OUTLINE† (JEDEC MS-012)	PLASTIC DUAL-IN-LINE PACKAGE (JEDEC MS-001)
0°C to 70°C	SN75LBC184D	SN75LBC184P
–40°C to 85°C	SN65LBC184D	SN65LBC184P

† Add R suffix for taped and reel.

logic symbol†



† This symbol is in accordance with ANSI/IEEE Std 91-1984 and IEC Publication 617-12.

SN65LBC184, SN75LBC184 DIFFERENTIAL TRANSCEIVER WITH TRANSIENT VOLTAGE SUPPRESSION

SLLS236F – OCTOBER 1996 – REVISED APRIL 2005

absolute maximum ratings over operating free-air temperature range (unless otherwise noted)†

Supply voltage, V_{CC} (see Note 1)	–0.5 V to 7 V
Continuous voltage range at any bus terminal	–15 V to 15 V
Data input/output voltage	–0.3 V to 7 V
Receiver output current, I_O	±20 mA
Electrostatic discharge: Contact discharge (IEC61000-4-2) A, B, GND (see Note 2)	30 kV
Air discharge (IEC61000-4-2) A, B, GND (see Note 2)	15 kV
Human body model (see Note 3) A, B, GND (see Note 2)	15 kV
All pins	3 kV
All terminals (Class 3A) (see Note 2)	8 kV
All terminals (Class 3B) (see Note 2)	1200 V
Continuous total power dissipation (see Note 4)	Internally Limited

† Stresses beyond those listed under “absolute maximum ratings” may cause permanent damage to the device. These are stress ratings only, and functional operation of the device at these or any other conditions beyond those indicated under “recommended operating conditions” is not implied. Exposure to absolute-maximum-rated conditions for extended periods may affect device reliability.

- NOTES:
- All voltage values, except differential input/output bus voltage, are with respect to network ground terminal.
 - GND and bus terminal ESD protection is beyond readily available test equipment capabilities for IEC 61000-4-2, EIA/JEDEC test method A114-A and MIL-STD-883C method 3015. Ratings listed are limits of test equipment; device performance exceeds these limits.
 - Tested in accordance with JEDEC Standard 22, Test Method A114-A.
 - The driver shuts down at a junction temperature of approximately 160°C. To operate below this temperature, see the Dissipation Rating Table.

DISSIPATION RATING TABLE

PACKAGE	$T_A \leq 25^\circ\text{C}$ POWER RATING	DERATING FACTOR ABOVE $T_A = 25^\circ\text{C}$	$T_A = 70^\circ\text{C}$ POWER RATING	$T_A = 85^\circ\text{C}$ POWER RATING
D	725 mW	5.8 mW/°C	464 mW	377 mW
P	1150 mW	9.2 mW/°C	736 mW	598 mW

recommended operating conditions

		MIN‡	TYP	MAX	UNIT
Supply voltage, V_{CC}		4.75	5	5.25	V
Voltage at any bus terminal (separately or common mode), V_I or V_{IC}		–7		12	V
High-level input voltage, V_{IH}	D, DE, and \overline{RE}	2			V
Low-level input voltage, V_{IL}	D, DE, and \overline{RE}			0.8	V
Differential input voltage, $ V_{ID} $				12	V
High-level output current, I_{OH}	Driver	–60			mA
	Receiver	–8			mA
Low-level output current, I_{OL}	Driver			60	mA
	Receiver			4	
Operating free-air temperature, T_A	SN75LBC184	0		70	°C
	SN65LBC184	–40		85	°C

‡ The algebraic convention, in which the less-positive (more-negative) limit is designated minimum, is used in this data sheet.



SN65LBC184, SN75LBC184
DIFFERENTIAL TRANSCEIVER
WITH TRANSIENT VOLTAGE SUPPRESSION
 SLLS236F – OCTOBER 1996 – REVISED APRIL 2005

DRIVER SECTION

electrical characteristics over recommended operating conditions (unless otherwise noted)

PARAMETER	ALTERNATE SYMBOLS	TEST CONDITIONS	MIN	TYP†	MAX	UNIT	
I _{CC}	Supply current	NA	DE = $\overline{\text{RE}} = 5 \text{ V}$, No Load		12	25	mA
			DE = 0 V, $\overline{\text{RE}} = 5 \text{ V}$, No Load		175	300	μA
I _{IH}	High-level input current (D, DE, $\overline{\text{RE}}$)	NA	V _I = 2.4 V		50	μA	
I _{IL}	Low-level input current (D, DE, $\overline{\text{RE}}$)	NA	V _I = 0.4 V		-50	μA	
I _{OS}	Short-circuit output current (see Note 5)	NA	V _O = -7 V		-250	-120	mA
			V _O = V _{CC}		250		
			V _O = 12 V		250		
I _{OZ}	High-impedance output current	NA			See Receiver I _I	mA	
V _O	Output voltage	V _{Oa} , V _{Ob}	I _O = 0		0	V _{CC}	V
V _{OC(PP)}	Peak-to-peak change in common-mode output voltage during state transitions	NA	See Figures 5 and 6		0.8		V
V _{OC}	Common-mode output voltage	V _{Os}	See Figure 4		1	3	V
ΔV _{OC(SS)}	Magnitude of change, common-mode steady-state output voltage	V _{Os} - $\overline{\text{V}}_{\text{Os}}$	See Figure 5		0.1		V
V _{OD}	Magnitude of differential output voltage V _A - V _B	V _O	I _O = 0		1.5	6	V
			R _L = 54 Ω, See Figure 4		1.5		V
Δ V _{OD}	Change in differential voltage magnitude between logic states	V _t - $\overline{\text{V}}_{\text{t}}$	R _L = 54 Ω		0.1		V

† All typical values are measured with T_A = 25°C and V_{CC} = 5 V.

NOTE 5: This parameter is measured with only one output being driven at a time.

switching characteristics over recommended operating conditions (unless otherwise noted)

PARAMETER	TEST CONDITIONS	MIN	TYP	MAX	UNIT
t _{d(DH)}	R _L = 54 Ω, C _L = 50 pF, See Figure 5			1.3	μs
t _{d(DL)}				1.3	μs
t _{PLH}		0.5	1.3	μs	
t _{PHL}		0.5	1.3	μs	
t _{sk(p)}		75	150	ns	
t _r		0.25	1.2	μs	
t _f		0.25	1.2	μs	
t _{PZH}		R _L = 110 Ω, See Figure 2			3.5
t _{PZL}	R _L = 110 Ω, See Figure 3			3.5	μs
t _{PHZ}	R _L = 110 Ω, See Figure 2			2	μs
t _{PLZ}	R _L = 110 Ω, See Figure 3			2	μs



SN65LBC184, SN75LBC184
DIFFERENTIAL TRANSCEIVER
WITH TRANSIENT VOLTAGE SUPPRESSION

SLLS236F – OCTOBER 1996 – REVISED APRIL 2005

RECEIVER SECTION

electrical characteristics over recommended operating conditions (unless otherwise noted)

PARAMETER		TEST CONDITIONS	MIN	TYP†	MAX	UNIT
I _{CC}	Supply current (total package)	DE = \overline{RE} = 0 V, No Load			3.9	mA
		\overline{RE} = 5 V, No Load, DE = 0 V,			300	μA
I _I	Input current	Other input = 0 V	V _I = 12 V		250	μA
			V _I = 12 V, V _{CC} = 0		250	
			V _I = -7 V	-200		
			V _I = -7 V, V _{CC} = 0	-200		
I _{OZ}	High-impedance-state output current	V _O = 0.4 V to 2.4 V			±100	μA
V _{hys}	Input hysteresis voltage			70		mV
V _{IT+}	Positive-going input threshold voltage			200		mV
V _{IT-}	Negative-going input threshold voltage			-200		mV
V _{OH}	High-level output voltage	I _{OH} = -8 mA, Figure 7	2.8			V
V _{OL}	Low-level output voltage	I _{OL} = 4 mA, Figure 7			0.4	V

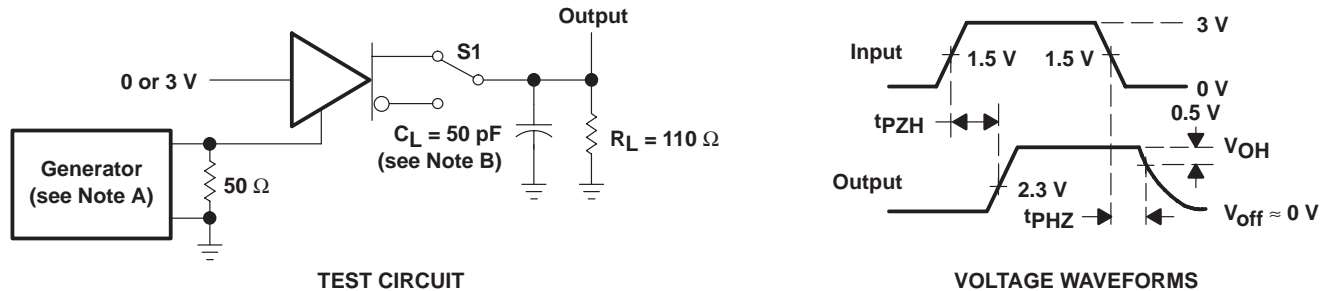
† All typical values are at V_{CC} = 5 V, T_A = 25°C.

switching characteristics over recommended operating conditions (unless otherwise noted)

PARAMETER		TEST CONDITIONS	MIN	TYP	MAX	UNIT
t _{PLH}	Propagation delay time, low-to-high-level output	C _L = 50 pF, See Figure 7			150	ns
t _{PHL}	Propagation delay time, high-to-low-level output				150	ns
t _{sk(p)}	Pulse skew (t _{PHL} - t _{PLH})				50	ns
t _r	Rise time, single ended	See Figure 7		20		ns
t _f	Fall time, single ended			20		ns
t _{PZH}	Output enable time to high level	See Figure 8			100	ns
t _{PZL}	Output enable time to low level				100	ns
t _{PHZ}	Output disable time from high level				100	ns
t _{PLZ}	Output disable time from low level				100	ns

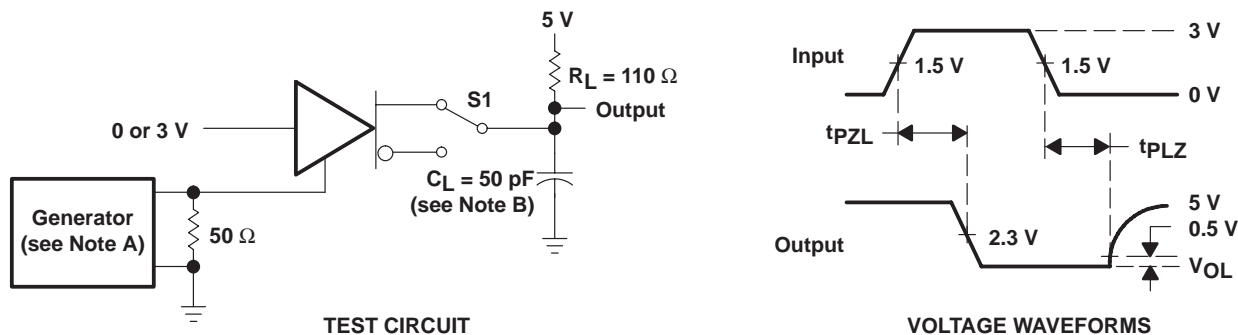


PARAMETER MEASUREMENT INFORMATION



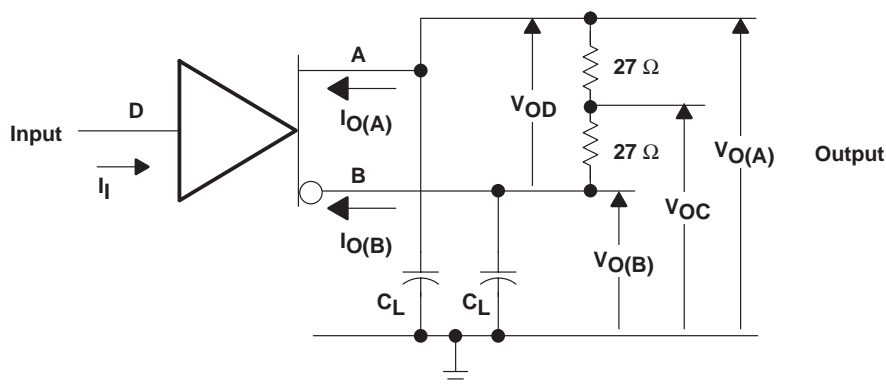
- NOTES: A. The input pulse is supplied by a generator having the following characteristics: PRR = 1.25 kHz, 50% duty cycle, $t_r \leq 10$ ns, $t_f \leq 10$ ns, $Z_O = 50 \Omega$.
 B. C_L includes probe and jig capacitance.

Figure 2. Driver t_{pZH} and t_{pHZ} Test Circuit and Voltage Waveforms



- NOTES: A. The input pulse is supplied by a generator having the following characteristics: PRR = 1.25 kHz, 50% duty cycle, $t_r \leq 10$ ns, $t_f \leq 10$ ns, $Z_O = 50 \Omega$.
 B. C_L includes probe and jig capacitance.

Figure 3. Driver t_{pZL} and t_{pLZ} Test Circuit and Voltage Waveforms



- NOTES: A. Resistance values are in ohms and are 1% tolerance.
 B. C_L includes probe and jig capacitance.

Figure 4. Driver Test Circuit, Voltage, and Current Definitions

SN65LBC184, SN75LBC184
DIFFERENTIAL TRANSCEIVER
WITH TRANSIENT VOLTAGE SUPPRESSION

SLLS236F – OCTOBER 1996 – REVISED APRIL 2005

PARAMETER MEASUREMENT INFORMATION

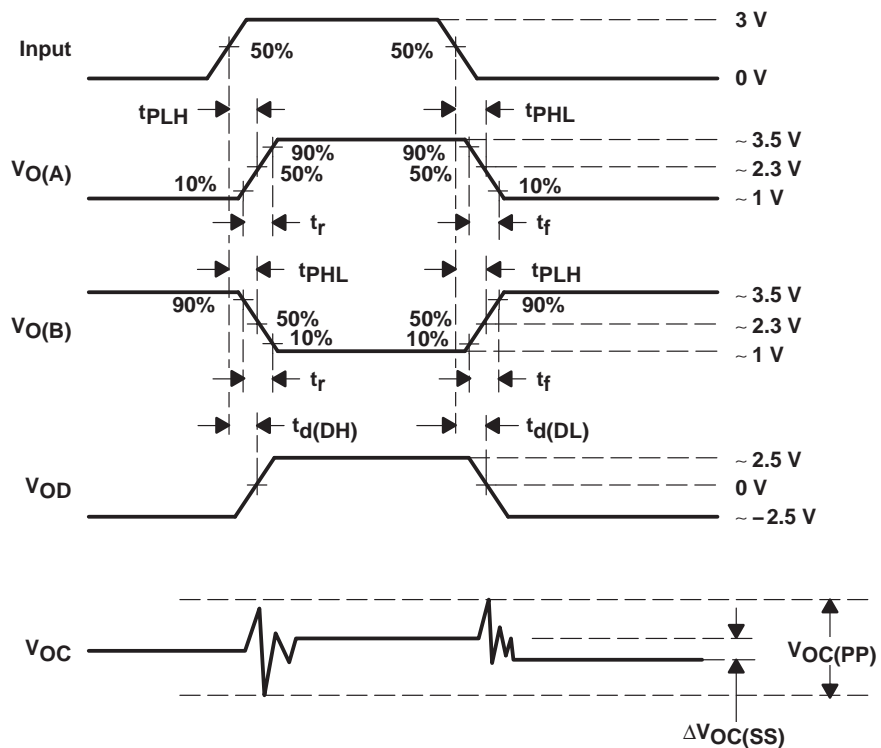
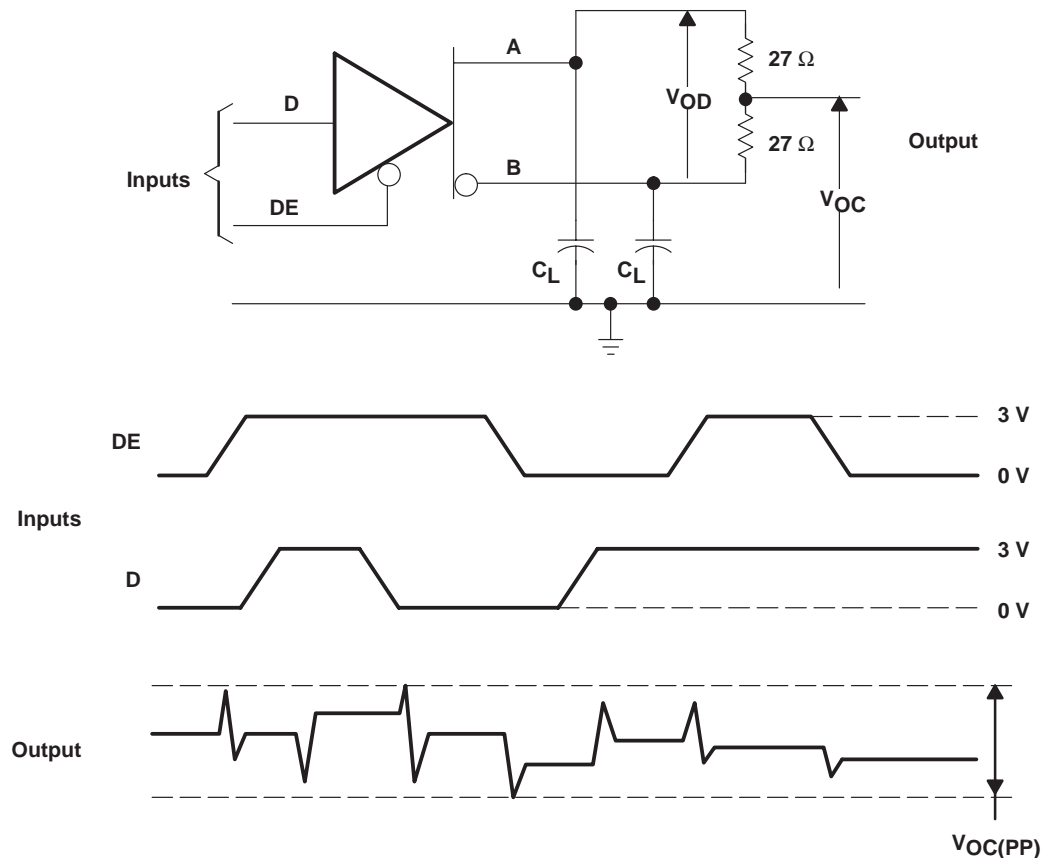


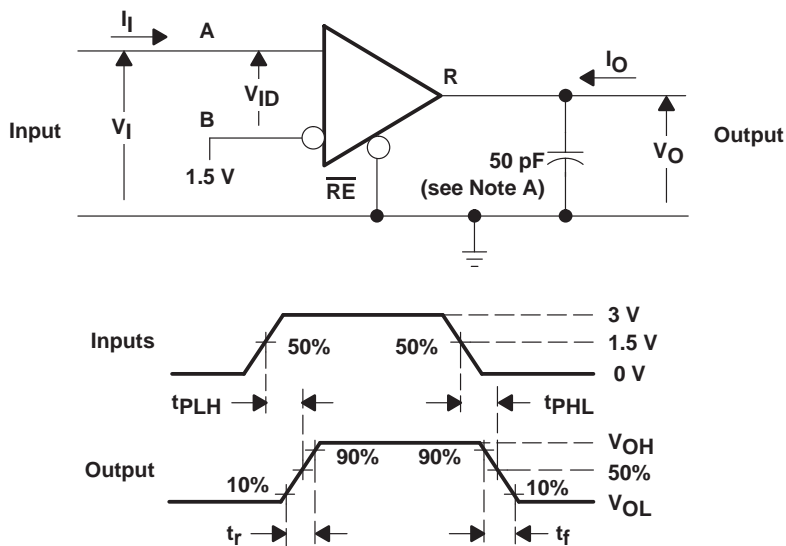
Figure 5. Driver Timing, Voltage and Current Waveforms

PARAMETER MEASUREMENT INFORMATION



NOTES: A. Resistance values are in ohms and are 1% tolerance.
 B. C_L includes probe and jig capacitance ($\pm 10\%$).

Figure 6. Driver $V_{OC(PP)}$ Test Circuit and Waveforms



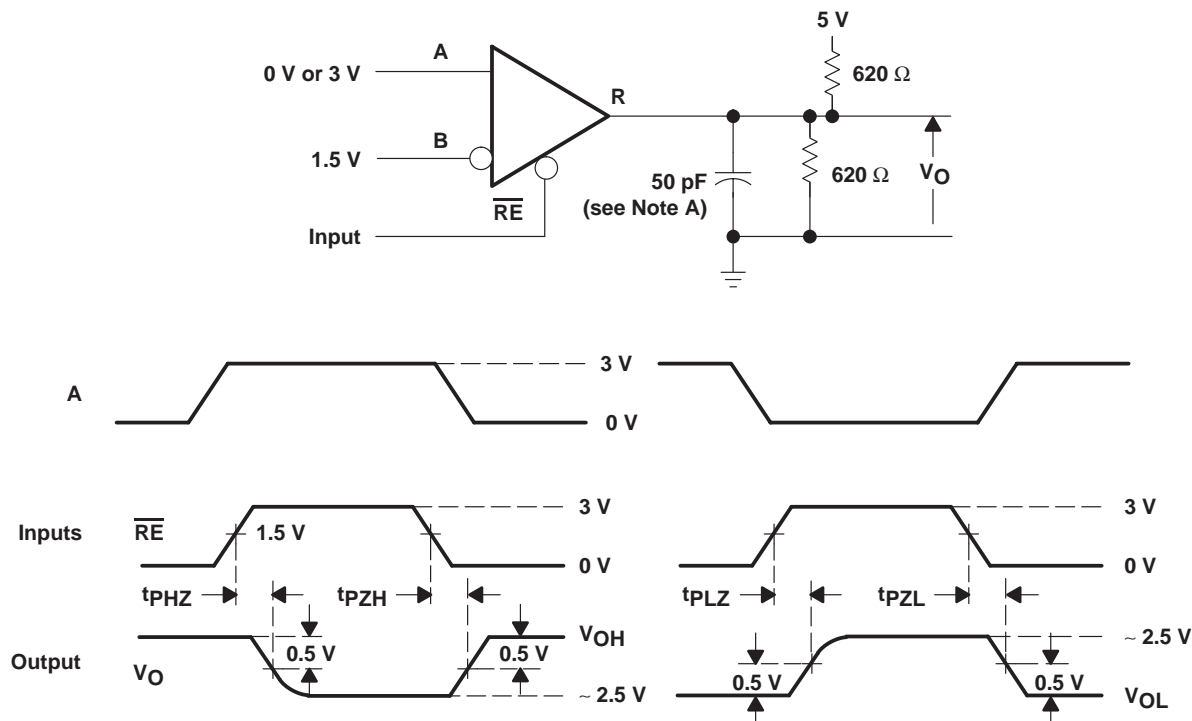
NOTE A: This value includes probe and jig capacitance ($\pm 10\%$).

Figure 7. Receiver t_{PLH} and t_{PHL} Test Circuit and Voltage Waveforms

SN65LBC184, SN75LBC184
DIFFERENTIAL TRANSCIEVER
WITH TRANSIENT VOLTAGE SUPPRESSION

SLLS236F – OCTOBER 1996 – REVISED APRIL 2005

PARAMETER MEASUREMENT INFORMATION



NOTE A: This value includes probe and jig capacitance ($\pm 10\%$).

Figure 8. Receiver t_{PZL} , t_{PLZ} , t_{PZH} , and t_{PHZ} Test Circuit and Voltage Waveforms

TYPICAL CHARACTERISTICS

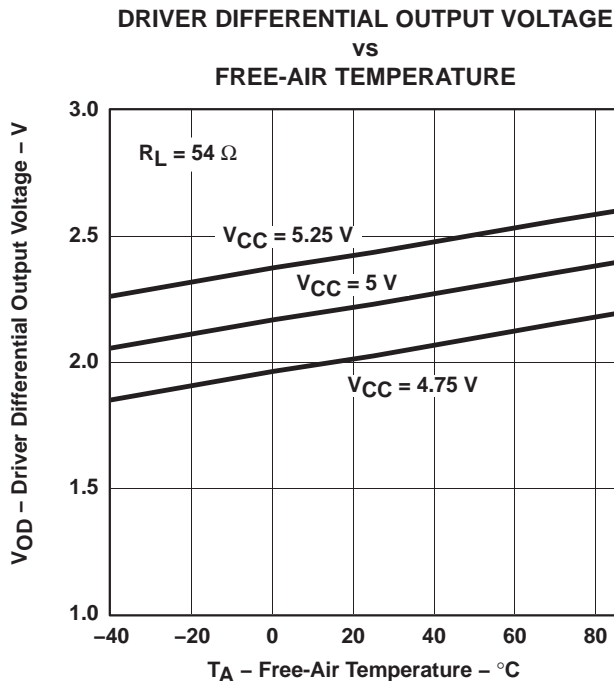


Figure 9

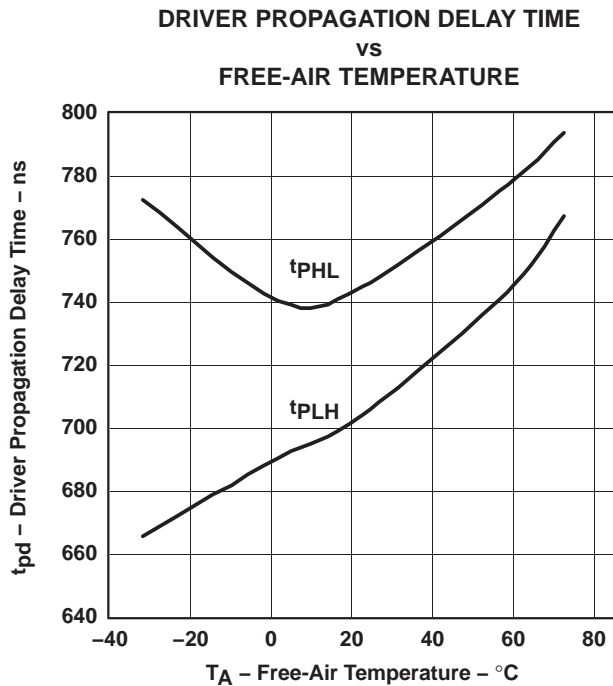


Figure 10

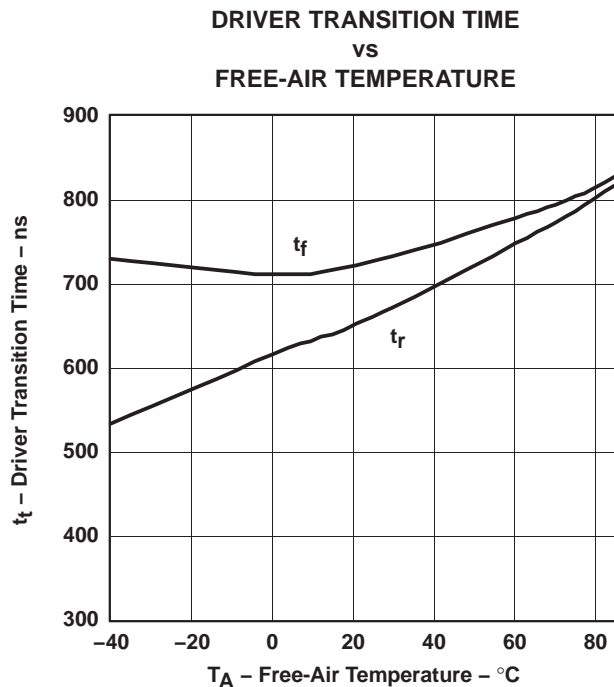


Figure 11

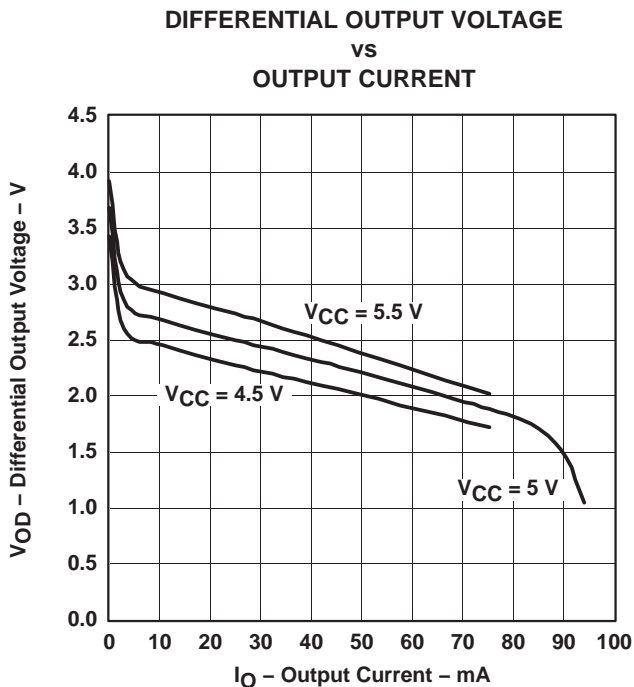


Figure 12

**SN65LBC184, SN75LBC184
DIFFERENTIAL TRANSCIEVER
WITH TRANSIENT VOLTAGE SUPPRESSION**

SLLS236F – OCTOBER 1996 – REVISED APRIL 2005

TYPICAL CHARACTERISTICS

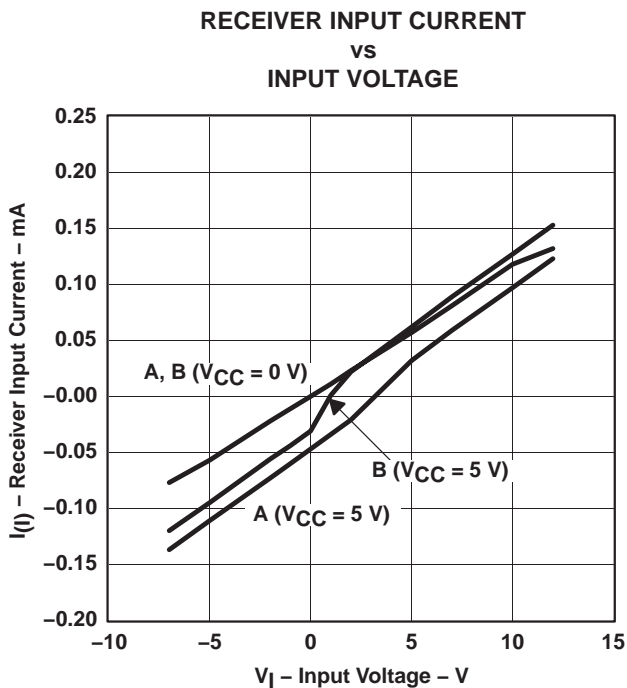
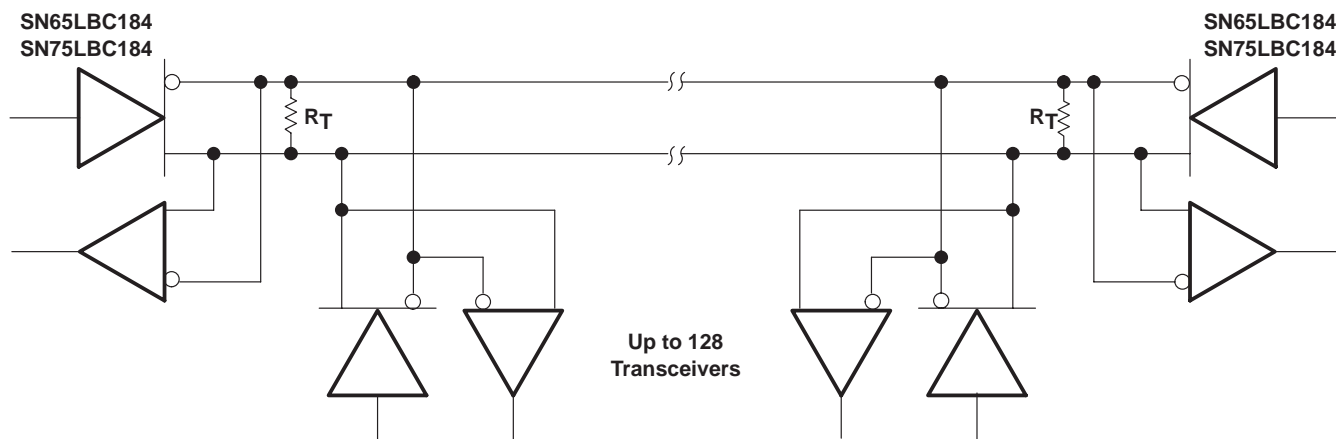


Figure 13

APPLICATION INFORMATION



NOTE A: The line should be terminated at both ends in its characteristic impedance ($R_T = Z_0$). Stub lengths off the main line should be kept as short as possible.

Figure 14. Typical Application Circuit

APPLICATION INFORMATION

'LBC184 test description

The 'LBC184 is tested against the IEC 61000–4–5 recommended transient identified as the combination wave. The combination wave provides a 1.2-/50- μ s open-circuit voltage waveform and a 8-/20- μ s short-circuit current waveform shown in Figure 15. The testing is performed with a combination/hybrid pulse generator with an effective output impedance of 2 Ω . The setup for the overvoltage stress is shown in Figure 16 with all testing performed with power applied to the 'LBC184 circuit.

NOTE

High voltage transient testing is done on a sampling basis.

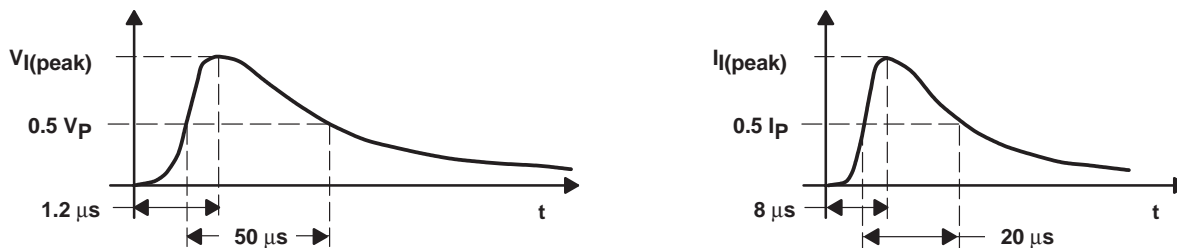


Figure 15. Short-Circuit Current Waveforms

The 'LBC184 is tested and evaluated for both maximum (single pulse) as well as life test (multiple pulse) capabilities. The 'LBC184 is evaluated against transients of both positive and negative polarity and all testing is performed with the worst-case transient polarity. Transient pulses are applied to the bus pins (A & B) across ground as shown in Figure 16.

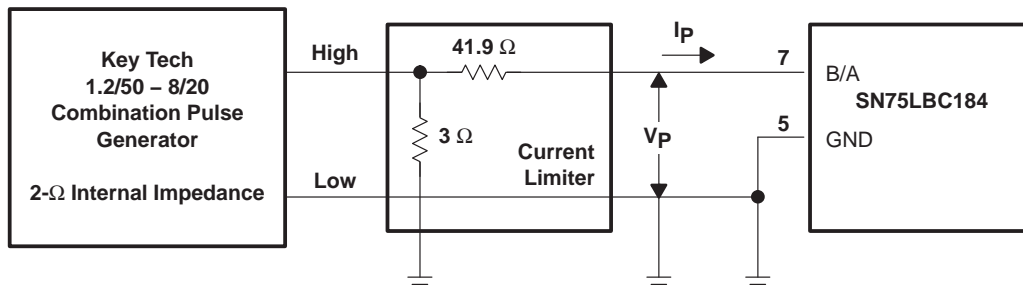


Figure 16. Overvoltage-Stress Test Circuit

An example waveform as seen by the 'LBC184 is shown in Figure 17. The bottom trace is current, the middle trace shows the clamping voltage of the device and the top trace is power as calculated from the voltage and current waveforms. This example shows a peak clamping voltage of 16 V, peak current of 33.6 A yielding an absorbed peak power of 538 W.

NOTE

A circuit reset may be required to ensure normal data communications following a transient noise pulse of greater than 250 W peak.

**SN65LBC184, SN75LBC184
DIFFERENTIAL TRANSCIEVER
WITH TRANSIENT VOLTAGE SUPPRESSION**

SLLS236F – OCTOBER 1996 – REVISED APRIL 2005

APPLICATION INFORMATION

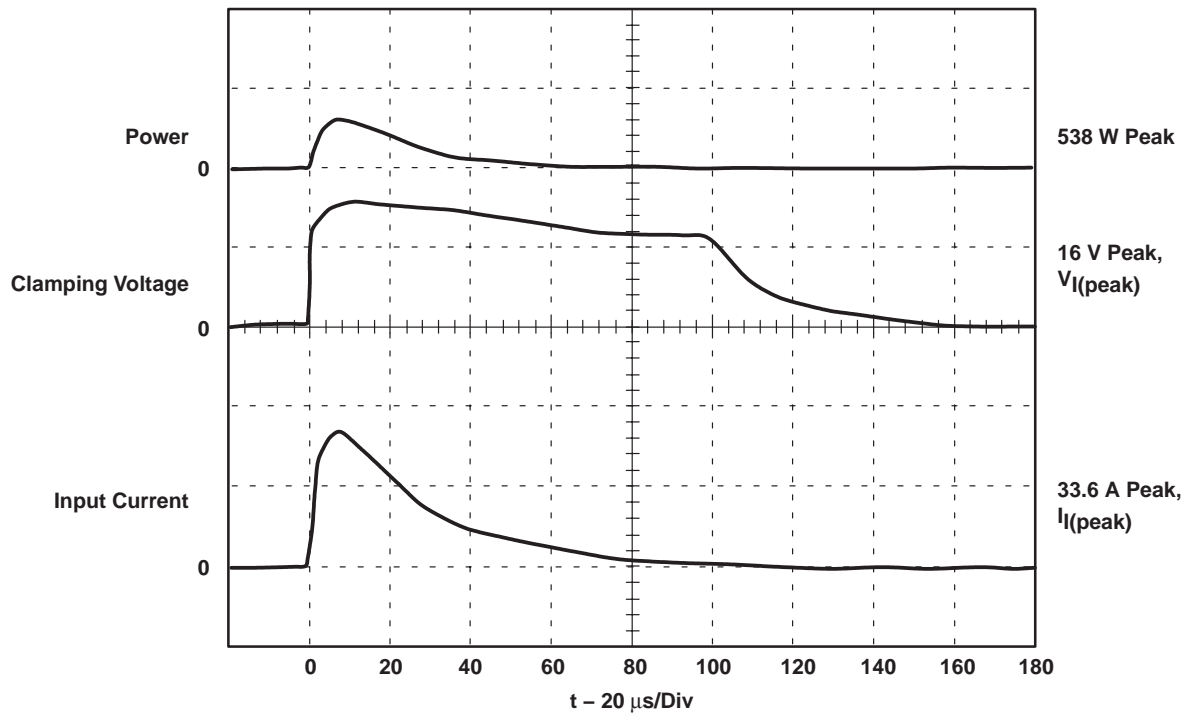


Figure 17. Typical Surge Waveform Measured At Terminals 5 and 7

SN65LBC184, SN75LBC184
DIFFERENTIAL TRANSCEIVER
WITH TRANSIENT VOLTAGE SUPPRESSION

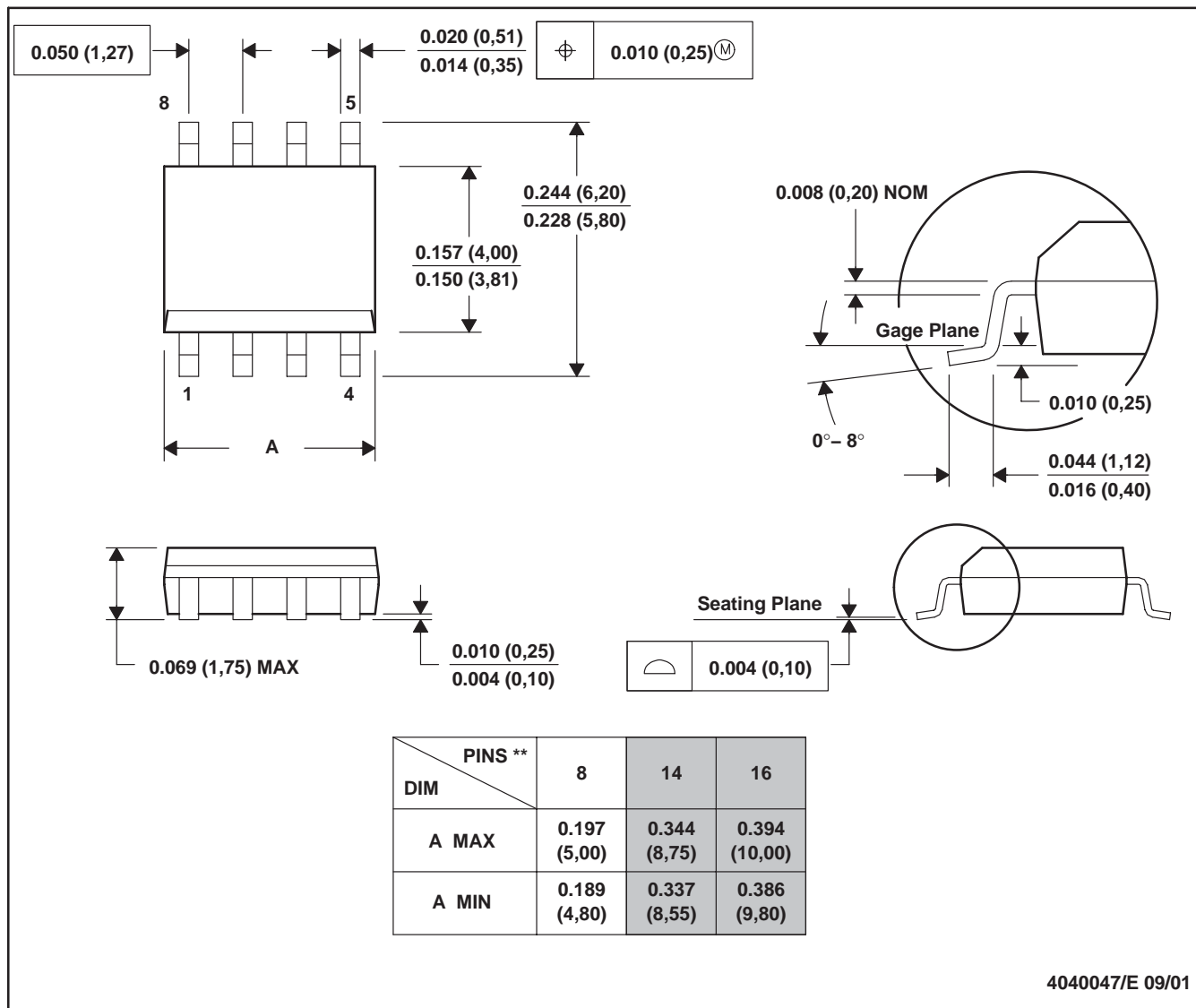
SLLS236F – OCTOBER 1996 – REVISED APRIL 2005

MECHANICAL INFORMATION

D (R-PDSO-G)**

PLASTIC SMALL-OUTLINE PACKAGE

8 PINS SHOWN



- NOTES: A. All linear dimensions are in inches (millimeters).
 B. This drawing is subject to change without notice.
 C. Body dimensions do not include mold flash or protrusion, not to exceed 0.006 (0,15).
 D. Falls within JEDEC MS-012

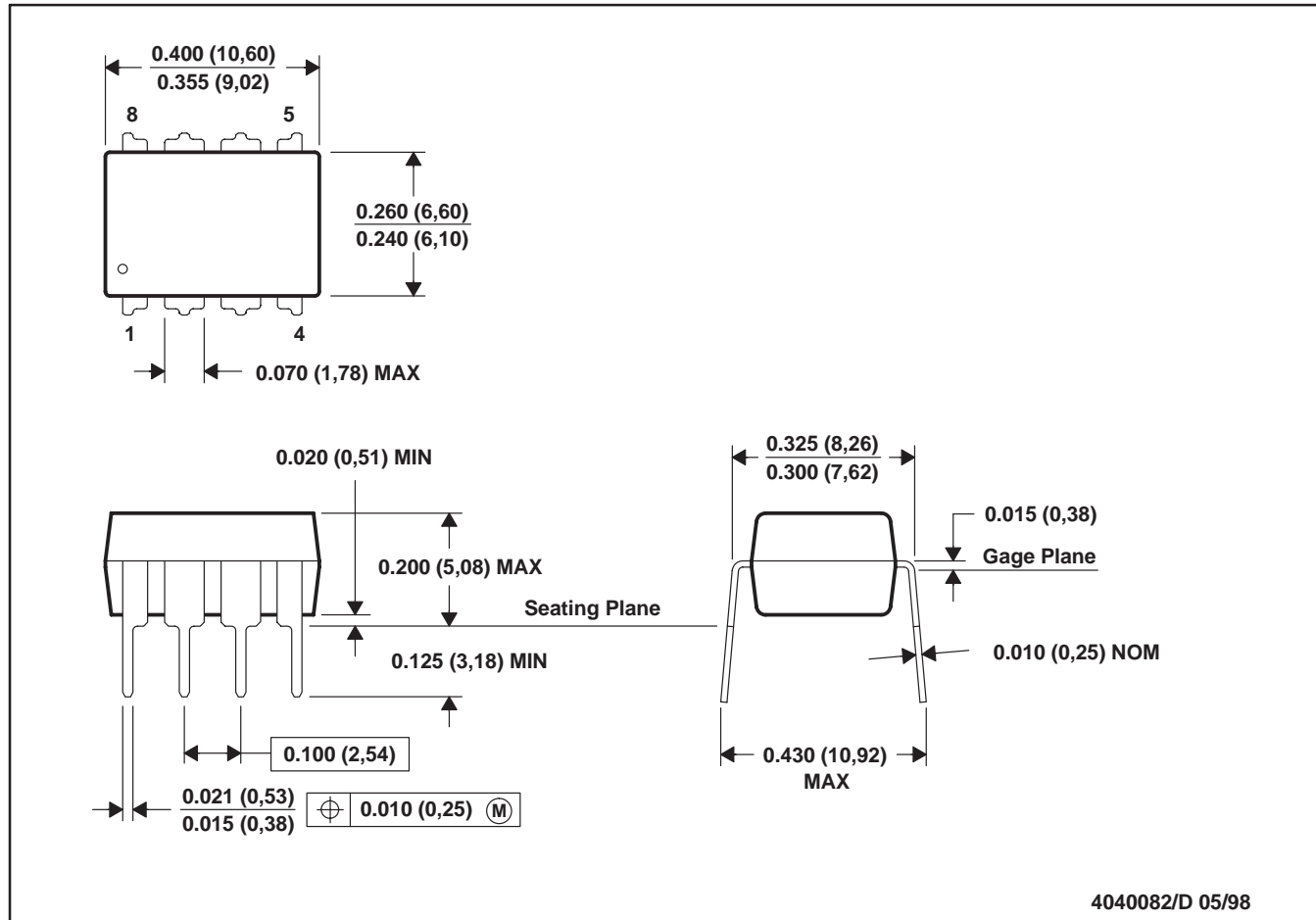
**SN65LBC184, SN75LBC184
DIFFERENTIAL TRANSCEIVER
WITH TRANSIENT VOLTAGE SUPPRESSION**

SLLS236F – OCTOBER 1996 – REVISED APRIL 2005

MECHANICAL INFORMATION

P (R-PDIP-T8)

PLASTIC DUAL-IN-LINE



- NOTES: A. All linear dimensions are in inches (millimeters).
 B. This drawing is subject to change without notice.
 C. Falls within JEDEC MS-001

For the latest package information, go to http://www.ti.com/sc/docs/package/pkg_info.htm



POST OFFICE BOX 655303 • DALLAS, TEXAS 75265

PACKAGING INFORMATION

Orderable Device	Status ⁽¹⁾	Package Type	Package Drawing	Pins	Package Qty	Eco Plan ⁽²⁾	Lead/Ball Finish	MSL Peak Temp ⁽³⁾
SN65LBC184D	ACTIVE	SOIC	D	8	75	Green (RoHS & no Sb/Br)	CU NIPDAU	Level-1-260C-UNLIM
SN65LBC184DG4	ACTIVE	SOIC	D	8	75	Green (RoHS & no Sb/Br)	CU NIPDAU	Level-1-260C-UNLIM
SN65LBC184DR	ACTIVE	SOIC	D	8	2500	Green (RoHS & no Sb/Br)	CU NIPDAU	Level-1-260C-UNLIM
SN65LBC184DRG4	ACTIVE	SOIC	D	8	2500	Green (RoHS & no Sb/Br)	CU NIPDAU	Level-1-260C-UNLIM
SN65LBC184P	ACTIVE	PDIP	P	8	50	Pb-Free (RoHS)	CU NIPDAU	Level-NC-NC-NC
SN65LBC184PE4	ACTIVE	PDIP	P	8	50	Pb-Free (RoHS)	CU NIPDAU	Level-NC-NC-NC
SN75LBC184D	ACTIVE	SOIC	D	8	75	Green (RoHS & no Sb/Br)	CU NIPDAU	Level-1-260C-UNLIM
SN75LBC184DG4	ACTIVE	SOIC	D	8	75	Green (RoHS & no Sb/Br)	CU NIPDAU	Level-1-260C-UNLIM
SN75LBC184DR	ACTIVE	SOIC	D	8	2500	Green (RoHS & no Sb/Br)	CU NIPDAU	Level-1-260C-UNLIM
SN75LBC184DRG4	ACTIVE	SOIC	D	8	2500	Green (RoHS & no Sb/Br)	CU NIPDAU	Level-1-260C-UNLIM
SN75LBC184P	ACTIVE	PDIP	P	8	50	Pb-Free (RoHS)	CU NIPDAU	Level-NC-NC-NC
SN75LBC184PE4	ACTIVE	PDIP	P	8	50	Pb-Free (RoHS)	CU NIPDAU	Level-NC-NC-NC

⁽¹⁾ The marketing status values are defined as follows:

ACTIVE: Product device recommended for new designs.

LIFEBUY: TI has announced that the device will be discontinued, and a lifetime-buy period is in effect.

NRND: Not recommended for new designs. Device is in production to support existing customers, but TI does not recommend using this part in a new design.

PREVIEW: Device has been announced but is not in production. Samples may or may not be available.

OBSOLETE: TI has discontinued the production of the device.

⁽²⁾ Eco Plan - The planned eco-friendly classification: Pb-Free (RoHS) or Green (RoHS & no Sb/Br) - please check <http://www.ti.com/productcontent> for the latest availability information and additional product content details.

TBD: The Pb-Free/Green conversion plan has not been defined.

Pb-Free (RoHS): TI's terms "Lead-Free" or "Pb-Free" mean semiconductor products that are compatible with the current RoHS requirements for all 6 substances, including the requirement that lead not exceed 0.1% by weight in homogeneous materials. Where designed to be soldered at high temperatures, TI Pb-Free products are suitable for use in specified lead-free processes.

Green (RoHS & no Sb/Br): TI defines "Green" to mean Pb-Free (RoHS compatible), and free of Bromine (Br) and Antimony (Sb) based flame retardants (Br or Sb do not exceed 0.1% by weight in homogeneous material)

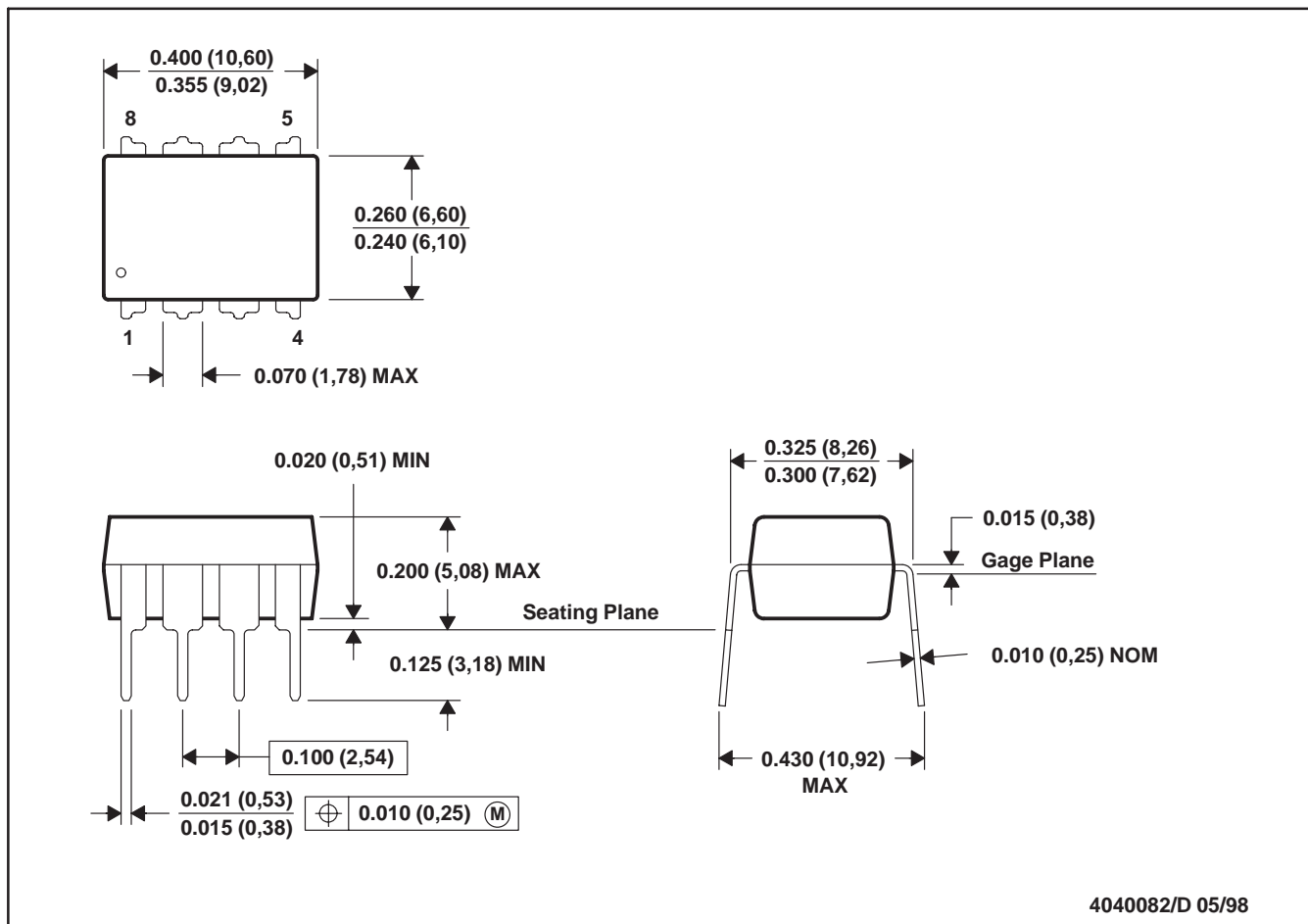
⁽³⁾ MSL, Peak Temp. -- The Moisture Sensitivity Level rating according to the JEDEC industry standard classifications, and peak solder temperature.

Important Information and Disclaimer:The information provided on this page represents TI's knowledge and belief as of the date that it is provided. TI bases its knowledge and belief on information provided by third parties, and makes no representation or warranty as to the accuracy of such information. Efforts are underway to better integrate information from third parties. TI has taken and continues to take reasonable steps to provide representative and accurate information but may not have conducted destructive testing or chemical analysis on incoming materials and chemicals. TI and TI suppliers consider certain information to be proprietary, and thus CAS numbers and other limited information may not be available for release.

In no event shall TI's liability arising out of such information exceed the total purchase price of the TI part(s) at issue in this document sold by TI to Customer on an annual basis.

P (R-PDIP-T8)

PLASTIC DUAL-IN-LINE

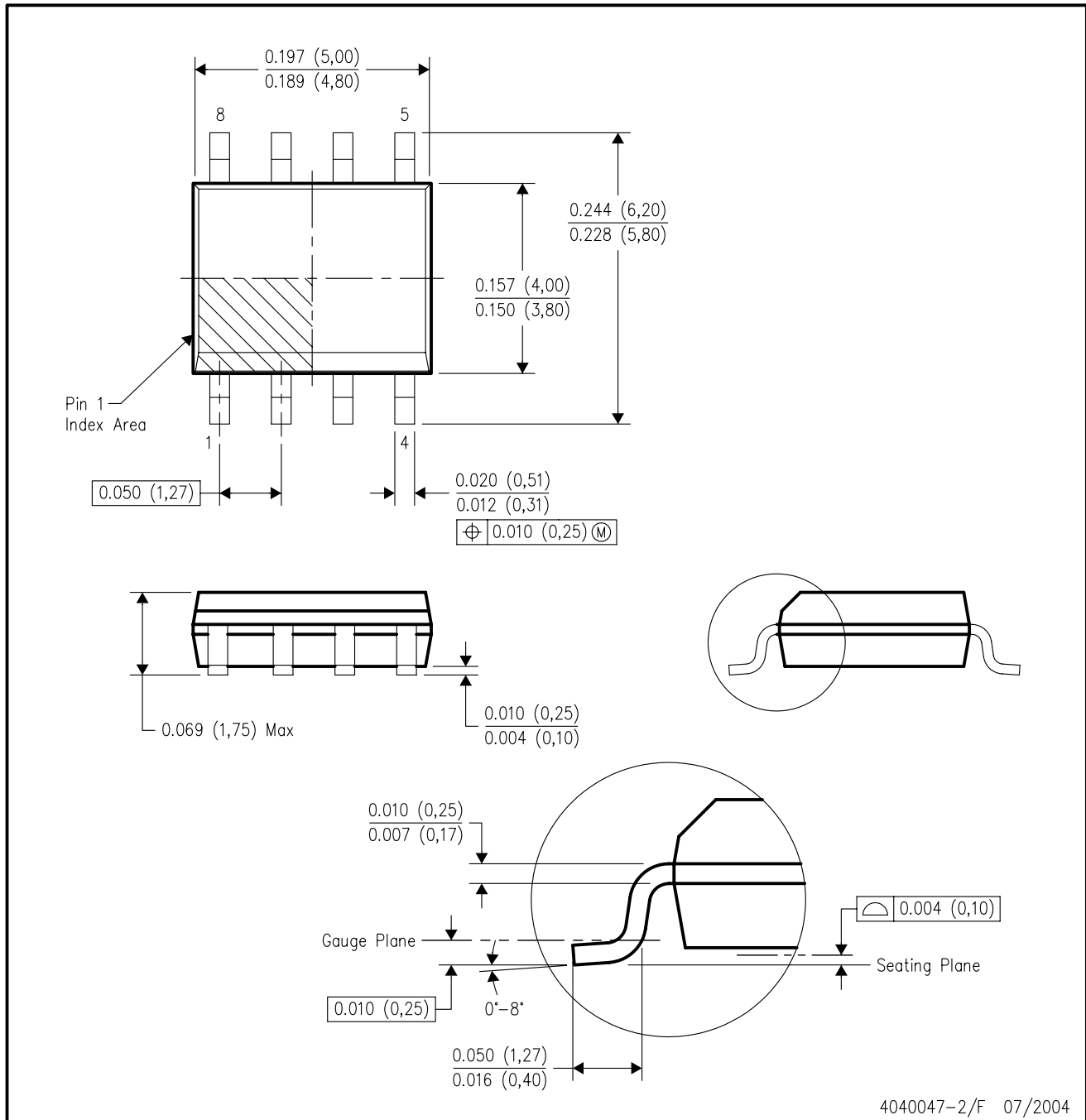


- NOTES: A. All linear dimensions are in inches (millimeters).
 B. This drawing is subject to change without notice.
 C. Falls within JEDEC MS-001

For the latest package information, go to http://www.ti.com/sc/docs/package/pkg_info.htm

D (R-PDSO-G8)

PLASTIC SMALL-OUTLINE PACKAGE



- NOTES:
- A. All linear dimensions are in inches (millimeters).
 - B. This drawing is subject to change without notice.
 - C. Body dimensions do not include mold flash or protrusion not to exceed 0.006 (0,15).
 - D. Falls within JEDEC MS-012 variation AA.

IMPORTANT NOTICE

Texas Instruments Incorporated and its subsidiaries (TI) reserve the right to make corrections, modifications, enhancements, improvements, and other changes to its products and services at any time and to discontinue any product or service without notice. Customers should obtain the latest relevant information before placing orders and should verify that such information is current and complete. All products are sold subject to TI's terms and conditions of sale supplied at the time of order acknowledgment.

TI warrants performance of its hardware products to the specifications applicable at the time of sale in accordance with TI's standard warranty. Testing and other quality control techniques are used to the extent TI deems necessary to support this warranty. Except where mandated by government requirements, testing of all parameters of each product is not necessarily performed.

TI assumes no liability for applications assistance or customer product design. Customers are responsible for their products and applications using TI components. To minimize the risks associated with customer products and applications, customers should provide adequate design and operating safeguards.

TI does not warrant or represent that any license, either express or implied, is granted under any TI patent right, copyright, mask work right, or other TI intellectual property right relating to any combination, machine, or process in which TI products or services are used. Information published by TI regarding third-party products or services does not constitute a license from TI to use such products or services or a warranty or endorsement thereof. Use of such information may require a license from a third party under the patents or other intellectual property of the third party, or a license from TI under the patents or other intellectual property of TI.

Reproduction of information in TI data books or data sheets is permissible only if reproduction is without alteration and is accompanied by all associated warranties, conditions, limitations, and notices. Reproduction of this information with alteration is an unfair and deceptive business practice. TI is not responsible or liable for such altered documentation.

Resale of TI products or services with statements different from or beyond the parameters stated by TI for that product or service voids all express and any implied warranties for the associated TI product or service and is an unfair and deceptive business practice. TI is not responsible or liable for any such statements.

Following are URLs where you can obtain information on other Texas Instruments products and application solutions:

Products		Applications	
Amplifiers	amplifier.ti.com	Audio	www.ti.com/audio
Data Converters	dataconverter.ti.com	Automotive	www.ti.com/automotive
DSP	dsp.ti.com	Broadband	www.ti.com/broadband
Interface	interface.ti.com	Digital Control	www.ti.com/digitalcontrol
Logic	logic.ti.com	Military	www.ti.com/military
Power Mgmt	power.ti.com	Optical Networking	www.ti.com/opticalnetwork
Microcontrollers	microcontroller.ti.com	Security	www.ti.com/security
		Telephony	www.ti.com/telephony
		Video & Imaging	www.ti.com/video
		Wireless	www.ti.com/wireless

Mailing Address: Texas Instruments
Post Office Box 655303 Dallas, Texas 75265