

PRECISION, LOW POWER INSTRUMENTATION AMPLIFIERS

Check for Samples: [INA129-EP](#)

FEATURES

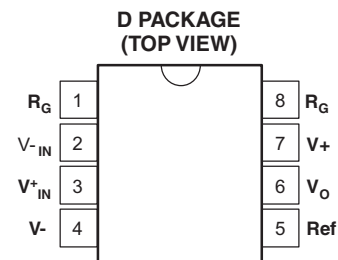
- Low Offset Voltage
- Low Input Bias Current
- High CMR
- Inputs Protected to ± 40 V
- Wide Supply Range: ± 2.25 V to ± 18 V
- Low Quiescent Current

APPLICATIONS

- Bridge Amplifier
- Thermocouple Amplifier
- RTD Sensor Amplifier
- Medical Instrumentation
- Data Acquisition

SUPPORTS DEFENSE, AEROSPACE AND MEDICAL APPLICATIONS

- Controlled Baseline
- One Assembly/Test Site
- One Fabrication Site
- Available in Military ($-55^{\circ}\text{C}/125^{\circ}\text{C}$) Temperature Range⁽¹⁾
- Extended Product Life Cycle
- Extended Product-Change Notification
- Product Traceability



(1) Custom temperature ranges available

DESCRIPTION

The INA129 is a low power, general purpose instrumentation amplifier offering excellent accuracy. The versatile 3-op amp design and small size make it ideal for a wide range of applications. Current-feedback input circuitry provides wide bandwidth even at high gain (200 kHz at $G = 100$).

A single external resistor sets any gain from 1 to 10,000. The INA129 provides an industry-standard gain equation; the INA129 gain equation is compatible with the AD620.

The INA129 is laser trimmed for very low offset voltage, drift and high common-mode rejection (113 dB at $G \geq 100$). It operates with power supplies as low as ± 2.25 V, and quiescent current is only 750 μA - ideal for battery operated systems. Internal input protection can withstand up to ± 40 V without damage.

The INA129 is available in an SO-8 surface-mount package specified for the -55°C to 125°C temperature range.

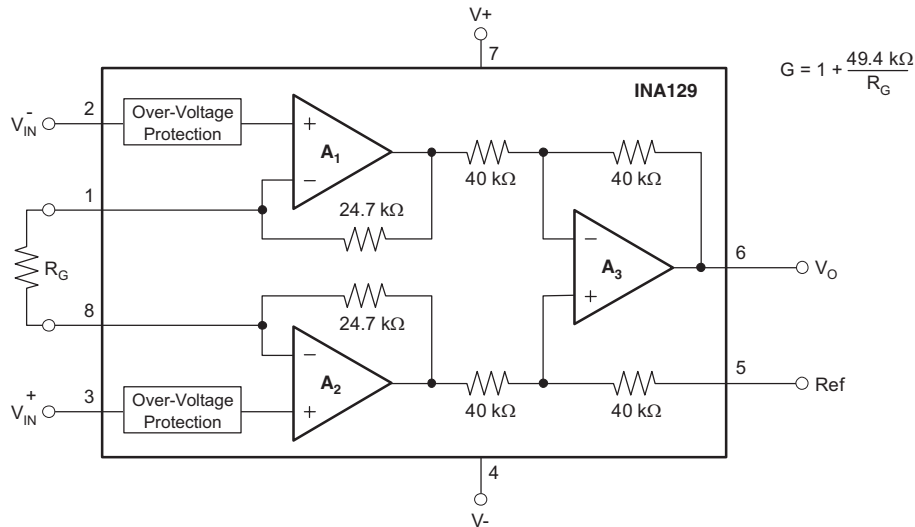


Please be aware that an important notice concerning availability, standard warranty, and use in critical applications of Texas Instruments semiconductor products and disclaimers thereto appears at the end of this data sheet.



This integrated circuit can be damaged by ESD. Texas Instruments recommends that all integrated circuits be handled with appropriate precautions. Failure to observe proper handling and installation procedures can cause damage.

ESD damage can range from subtle performance degradation to complete device failure. Precision integrated circuits may be more susceptible to damage because very small parametric changes could cause the device not to meet its published specifications.



ORDERING INFORMATION⁽¹⁾

T _A	PACKAGE ⁽²⁾	ORDERABLE PART NUMBER	TOP-SIDE MARKING
-55°C to 125°C	SOIC-D	INA129MDREP	129EP

- (1) For the most current package and ordering information, see the Package Option Addendum at the end of this document, or see the TI website at www.ti.com.
- (2) Package drawings, standard packing quantities, thermal data, symbolization, and PCB design guidelines are available at www.ti.com/sc/package.

ABSOLUTE MAXIMUM RATINGS⁽¹⁾

over operating free-air temperature range (unless otherwise noted)

		VALUE	UNIT
V _S	Supply voltage	±18	V
	Analog input voltage range	±40	V
	Output short-circuit (to ground)	Continuous	
T _A	Operating temperature	-55 to 125	°C
T _{STG}	Storage temperature range	-55 to 125	°C
T _J	Junction temperature	150	°C
	Lead temperature (soldering, 10s)	300	°C

- (1) Stresses above these ratings may cause permanent damage. Exposure to absolute maximum conditions for extended periods may degrade device reliability. These are stress ratings only, and functional operation of the device at these or any other conditions beyond those specified is not implied.

ELECTRICAL CHARACTERISTICS

At $T_A = 25^\circ\text{C}$, $V_S = \pm 15\text{ V}$, $R_L = 10\text{ k}\Omega$ (unless otherwise noted)

Boldface limits apply over the specified temperature range, $T_A = -55^\circ\text{C}$ to 125°C .

PARAMETER	TEST CONDITIONS		MIN	TYP	MAX	UNIT
INPUT						
Offset Voltage, RTI						
Initial	$T_A = 25^\circ\text{C}$		$\pm 100 \pm 800/\text{G}$			μV
	Over temperature		$\pm 150 \pm 2050/\text{G}$			
vs power supply	$T_A = 25^\circ\text{C}$, $V_S = \pm 2.25\text{ V}$ to $\pm 18\text{ V}$		$\pm 1.6 \pm 175/\text{G}$			$\mu\text{V}/\text{V}$
	Over temperature		$\pm 1.8 \pm 175/\text{G}$			
Long-term stability			$\pm 1 \pm 3/\text{G}$			$\mu\text{V}/\text{mo}$
Impedance, differential			$10^{10} \parallel 2$			$\Omega \parallel \text{pF}$
Common mode			$10^{11} \parallel 9$			$\Omega \parallel \text{pF}$
Common mode voltage range ⁽¹⁾	$V_O = 0\text{ V}$		$(V+) - 2$	$(V+) - 1.4$		V
			$(V-) + 2$	$(V-) + 1.7$		V
Safe input voltage			± 40			V
Common-mode rejection	$V_{\text{CM}} = \pm 13\text{ V}$, $\Delta R_S = 1\text{ k}\Omega$	$G = 1$	75	86		dB
		Over temperature	67			
		$G = 10$	93	106		
		Over temperature	84			
		$G = 100$	113	125		
		Over temperature	98			
		$G = 1000$	113	130		
Over temperature	98					
CURRENT						
Bias current			± 2			nA
	Over temperature		± 8			
Offset Current			± 1			nA
	Over temperature		± 8			
NOISE						
Noise voltage, RTI	$G = 1000$, $R_S = 0\ \Omega$	$f = 10\text{ Hz}$	10			$\text{nV}/\sqrt{\text{Hz}}$
		$f = 100\text{ Hz}$	8			
		$f = 1\text{ kHz}$	8			
		$f_B = 0.1\text{ Hz}$ to 10 Hz	0.2			μV_{pp}
Noise current	$G = 1000$, $R_S = 0\ \Omega$	$f = 10\text{ Hz}$	0.9			$\text{pA}/\sqrt{\text{Hz}}$
		$f = 1\text{ kHz}$	0.3			
		$f_B = 0.1\text{ Hz}$ to 10 Hz	30			pA_{pp}
GAIN						
Gain equation			$1 + (49.4\text{ k}\Omega/R_G)$			V/V
Range of gain			1		10000	V/V
Gain error	$G = 1$		± 0.05			%
	Over temperature		± 0.15			
	$G = 10$		± 0.02			
	Over temperature		± 0.65			
	$G = 100$		± 0.05			
	Over temperature		± 1.1			
$G = 1000$		± 0.5				
		± 2				

(1) Input common-mode range varies with output voltage — see typical curves.

ELECTRICAL CHARACTERISTICS (continued)At $T_A = 25^\circ\text{C}$, $V_S = \pm 15\text{ V}$, $R_L = 10\text{ k}\Omega$ (unless otherwise noted)**Boldface** limits apply over the specified temperature range, $T_A = -55^\circ\text{C}$ to 125°C .

PARAMETER		TEST CONDITIONS	MIN	TYP	MAX	UNIT
Gain vs temperature ⁽²⁾		$G = 1$		± 1	± 10	ppm/ $^\circ\text{C}$
49.4-k Ω resistance ⁽²⁾ ⁽³⁾				± 25	± 100	ppm/ $^\circ\text{C}$
Nonlinearity		$V_O = \pm 13.6\text{ V}$, $G = 1$		± 0.0001	± 0.0018	% of FSR
		Over temperature			± 0.0035	
		$G = 10$		± 0.0003	± 0.0035	
		Over temperature			± 0.0055	
		$G = 100$		± 0.0005	± 0.0035	
		Over temperature			± 0.0055	
		$G = 1000$		± 0.001	See ⁽⁴⁾	
OUTPUT						
Voltage	Positive	$R_L = 10\text{ k}\Omega$	$(V+) - 1.4$	$(V+) - 0.9$		V
	Negative	$R_L = 10\text{ k}\Omega$	$(V-) + 1.4$	$(V-) + 0.8$		
Load capacitance stability				1000		pF
Short-circuit current				$+6/-15$		mA
FREQUENCY RESPONSE						
Bandwidth, -3 dB		$G = 1$		1300		kHz
		$G = 10$		700		
		$G = 100$		200		
		$G = 1000$		20		
Slew rate		$V_O = \pm 10\text{ V}$, $G = 10$		4		V/ μs
Settling time, 0.01%		$G = 1$		7		μs
		$G = 10$		7		
		$G = 100$		9		
		$G = 1000$		80		
Overload recovery		50% overdrive		4		μs
POWER SUPPLY						
Voltage range			± 2.25	± 15	± 18	V
Current, total		$V_{IN} = 0\text{ V}$		± 700	± 750	μA
		Over temperature			± 1200	
TEMPERATURE RANGE						
Specification			-55		125	$^\circ\text{C}$
Operating			-55		125	$^\circ\text{C}$
θ_{JA}	8-pin DIP			80		$^\circ\text{C/W}$
	SO-8 SOIC			150		

(2) Specified by wafer test.

(3) Temperature coefficient of the 49.4-k Ω term in the gain equation.(4) Nonlinearity measurements in $G = 1000$ are dominated by noise. Typical nonlinearity is $\pm 0.001\%$.

TYPICAL CHARACTERISTICS

At $T_A = 25^\circ\text{C}$, $V_S = \pm 15\text{ V}$, unless otherwise noted.

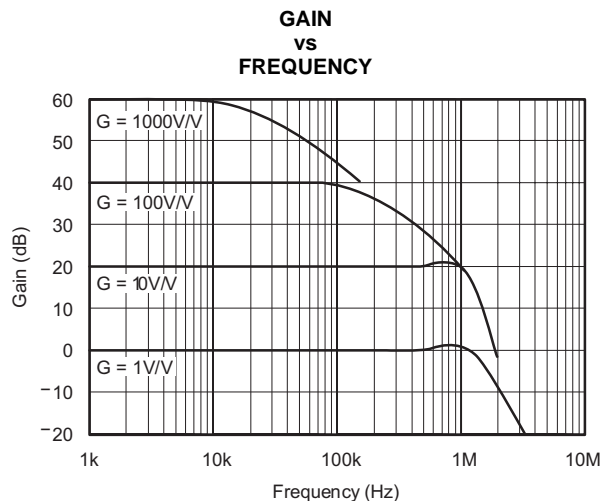


Figure 1.

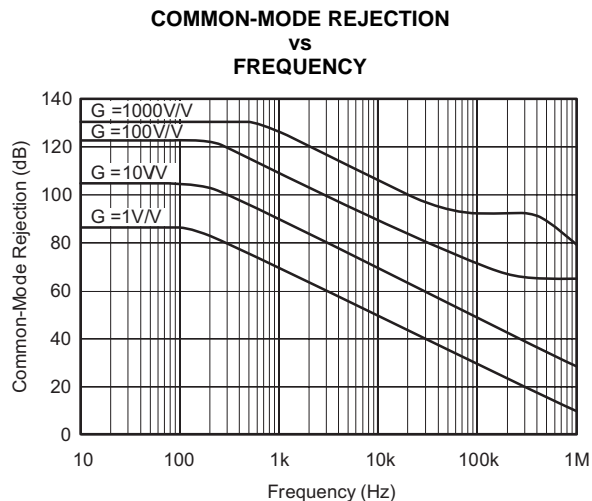


Figure 2.

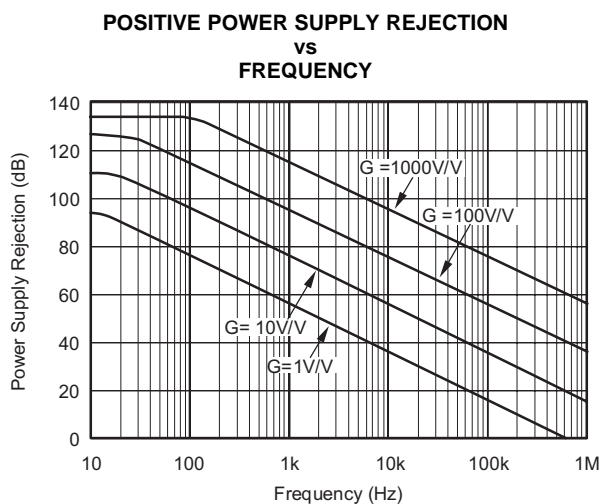


Figure 3.

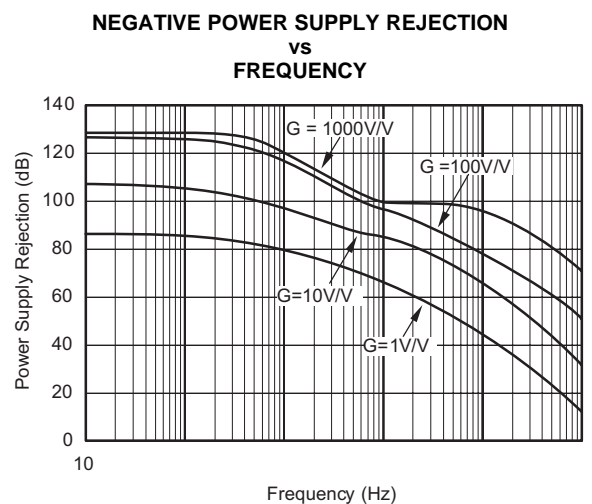


Figure 4.

TYPICAL CHARACTERISTICS (continued)

At $T_A = 25^\circ\text{C}$, $V_S = \pm 15\text{ V}$, unless otherwise noted.

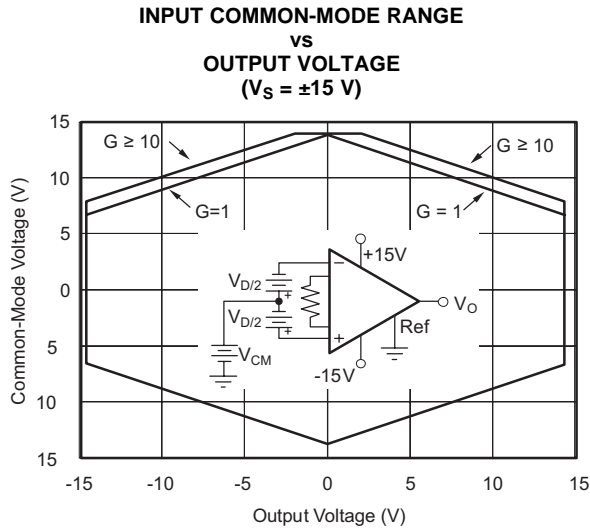


Figure 5.

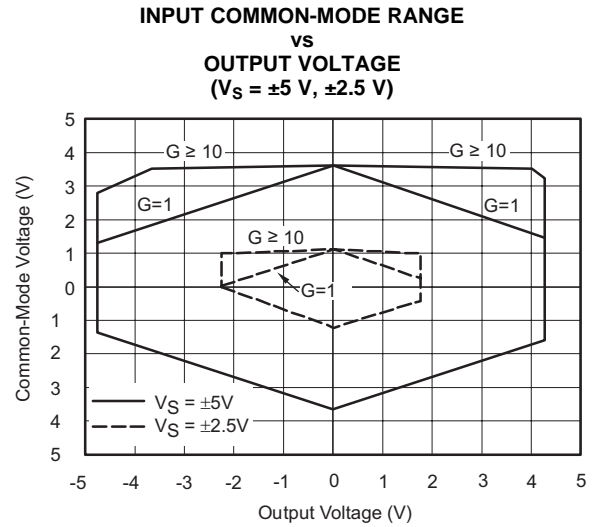


Figure 6.

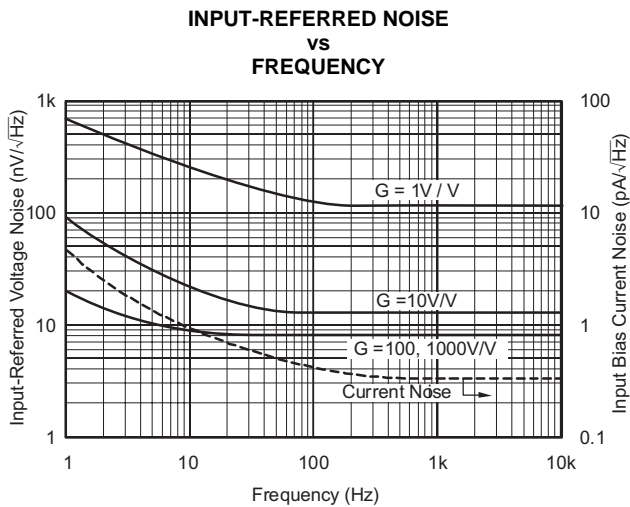


Figure 7.

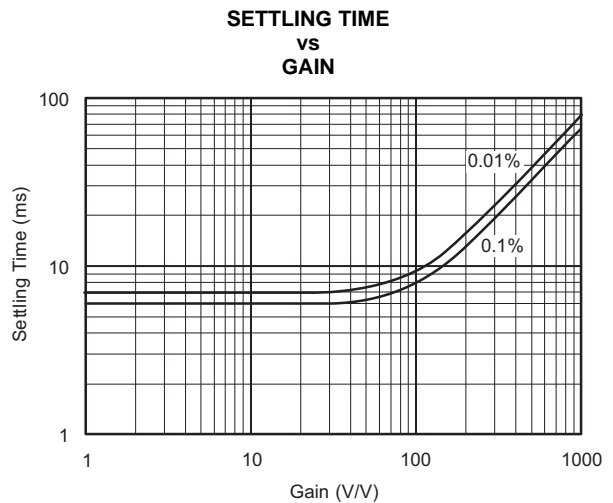


Figure 8.

TYPICAL CHARACTERISTICS (continued)

At $T_A = 25^\circ\text{C}$, $V_S = \pm 15\text{ V}$, unless otherwise noted.

QUIESCENT CURRENT AND SLEW RATE
vs
TEMPERATURE

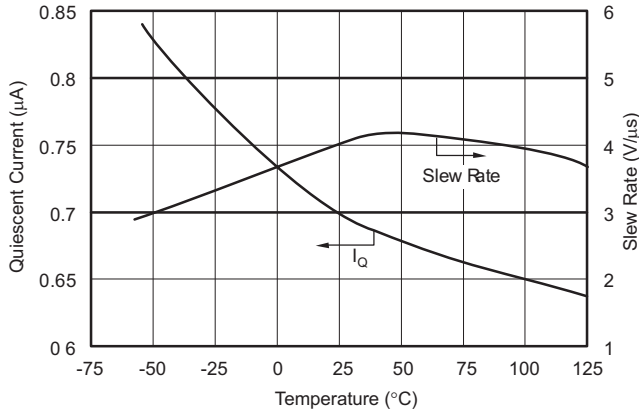


Figure 9.

INPUT OVER-VOLTAGE V_{II} CHARACTERISTICS

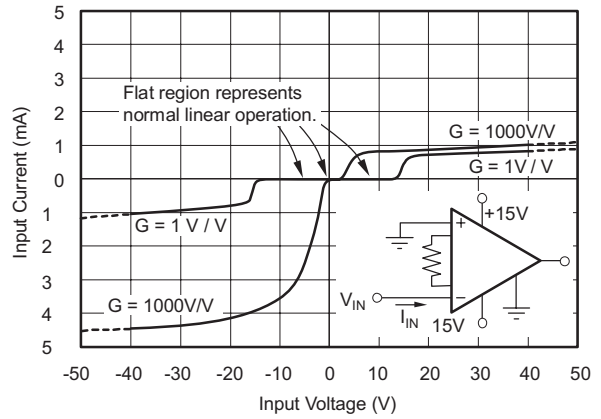


Figure 10.

INPUT OFFSET VOLTAGE WARM-UP

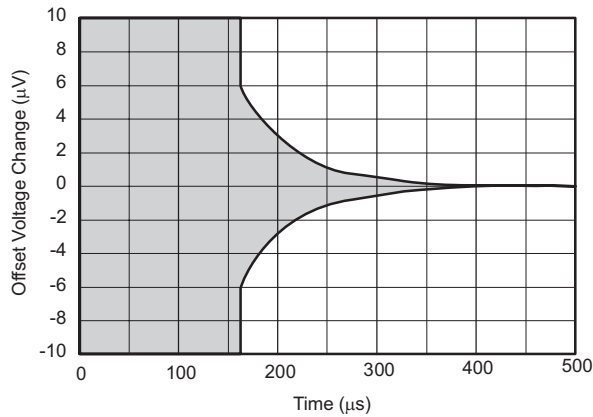


Figure 11.

INPUT BIAS CURRENT
vs
TEMPERATURE

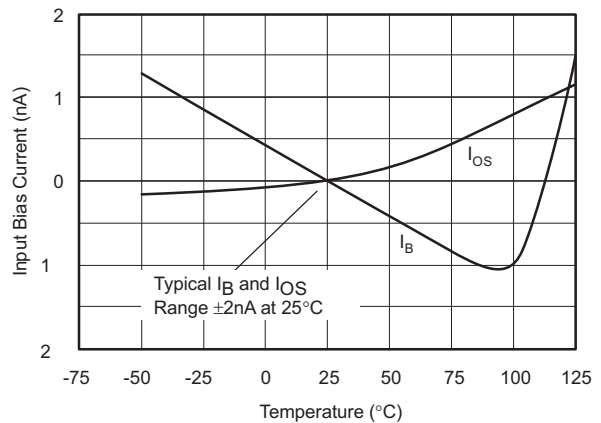


Figure 12.

TYPICAL CHARACTERISTICS (continued)

At $T_A = 25^\circ\text{C}$, $V_S = \pm 15\text{ V}$, unless otherwise noted.

**OUTPUT VOLTAGE SWING
vs
OUTPUT CURRENT**

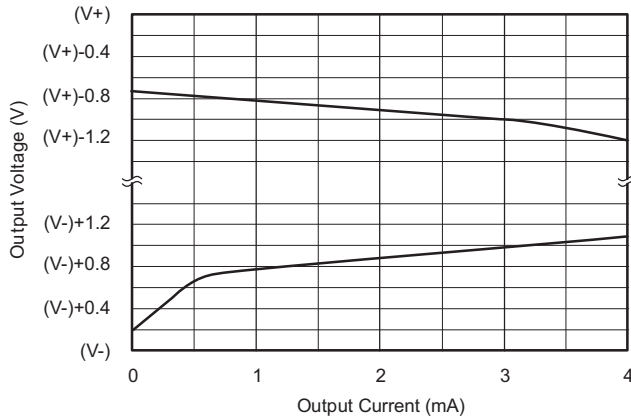


Figure 13.

**OUTPUT VOLTAGE SWING
vs
POWER SUPPLY VOLTAGE**

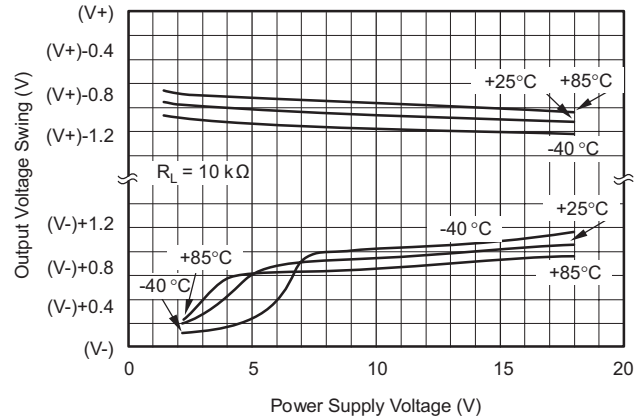


Figure 14.

**SHORT-CIRCUIT OUTPUT CURRENT
vs
TEMPERATURE**

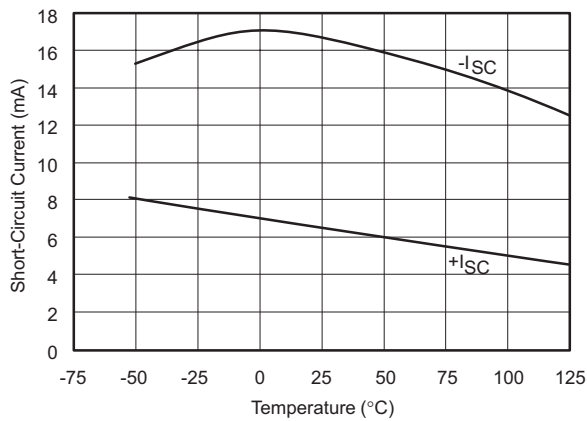


Figure 15.

**MAXIMUM OUTPUT VOLTAGE
vs
FREQUENCY**

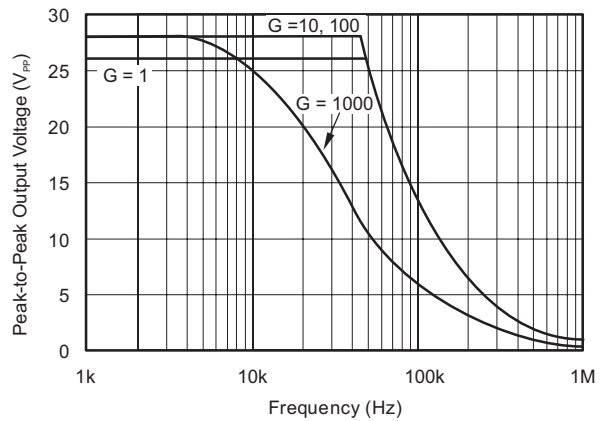


Figure 16.

TYPICAL CHARACTERISTICS (continued)

At $T_A = 25^\circ\text{C}$, $V_S = \pm 15\text{ V}$, unless otherwise noted.

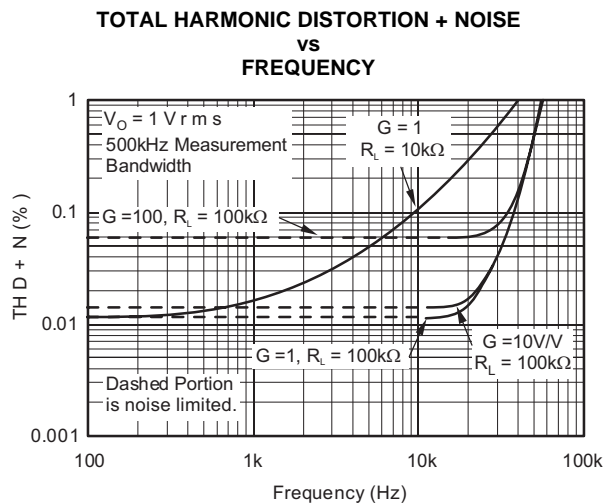


Figure 17.

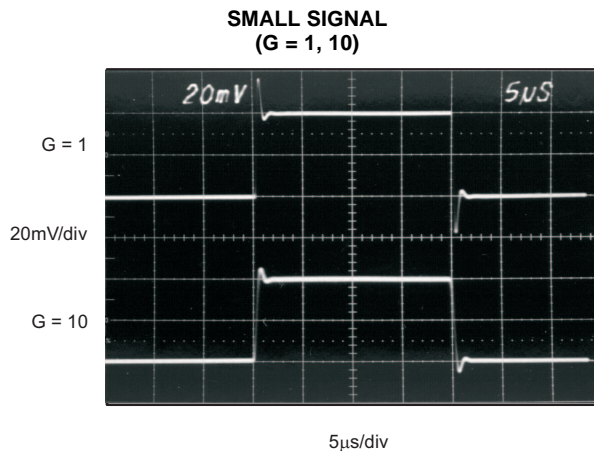


Figure 18.

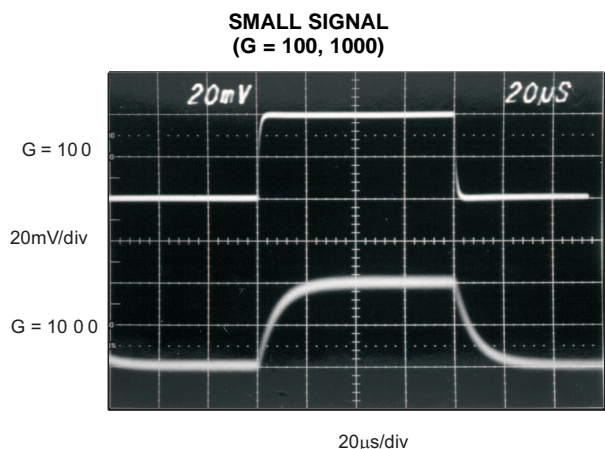


Figure 19.

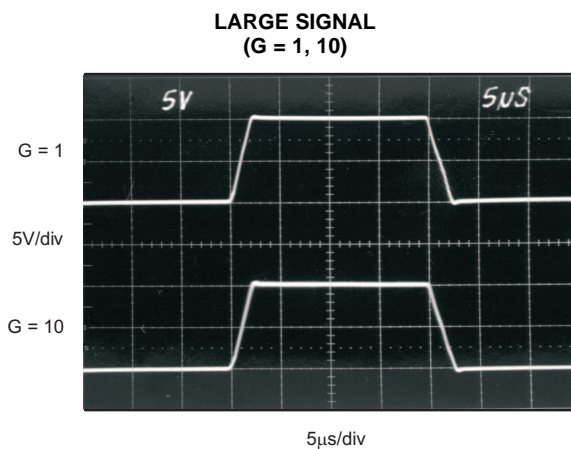


Figure 20.

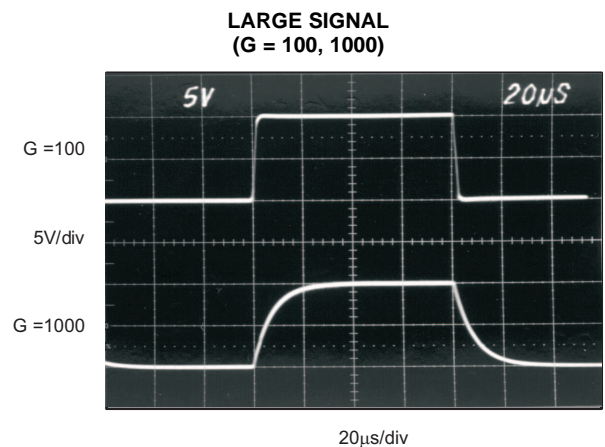


Figure 21.

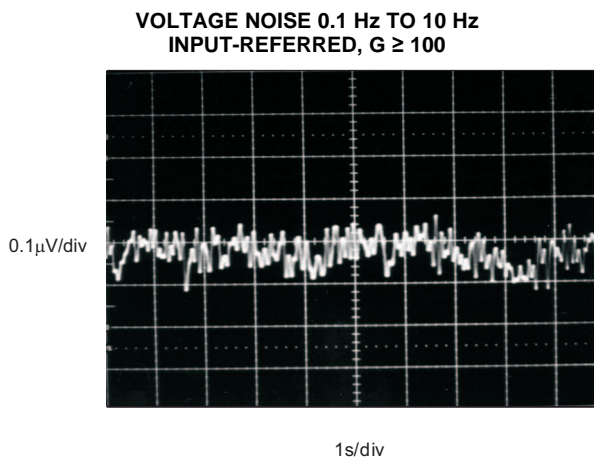


Figure 22.

APPLICATION INFORMATION

Figure 23 shows the basic connections required for operation of the INA129. Applications with noisy or high impedance power supplies may require decoupling capacitors close to the device pins as shown.

The output is referred to the output reference (Ref) terminal which is normally grounded. This must be a low-impedance connection to assure good common-mode rejection. A resistance of 8 Ω in series with the Ref pin will cause a typical device to degrade to approximately 80 dB CMR (G = 1).

Setting the Gain

Gain is set by connecting a single external resistor, R_G , between pins 1 and 8.

$$G = 1 + \frac{49.4 \text{ k}\Omega}{R_G} \tag{1}$$

Commonly used gains and resistor values are shown in Figure 23.

The 49.9-kΩ term in Equation 1 comes from the sum of the two internal feedback resistors of A1 and A2. These on-chip metal film resistors are laser trimmed to accurate absolute values. The accuracy and temperature coefficient of these internal resistors are included in the gain accuracy and drift specifications of the INA129.

The stability and temperature drift of the external gain setting resistor, R_G , also affects gain. R_G 's contribution to gain accuracy and drift can be directly inferred from Equation 1. Low resistor values required for high gain can make wiring resistance important. Sockets add to the wiring resistance which will contribute additional gain error (possibly an unstable gain error) in gains of approximately 100 or greater.

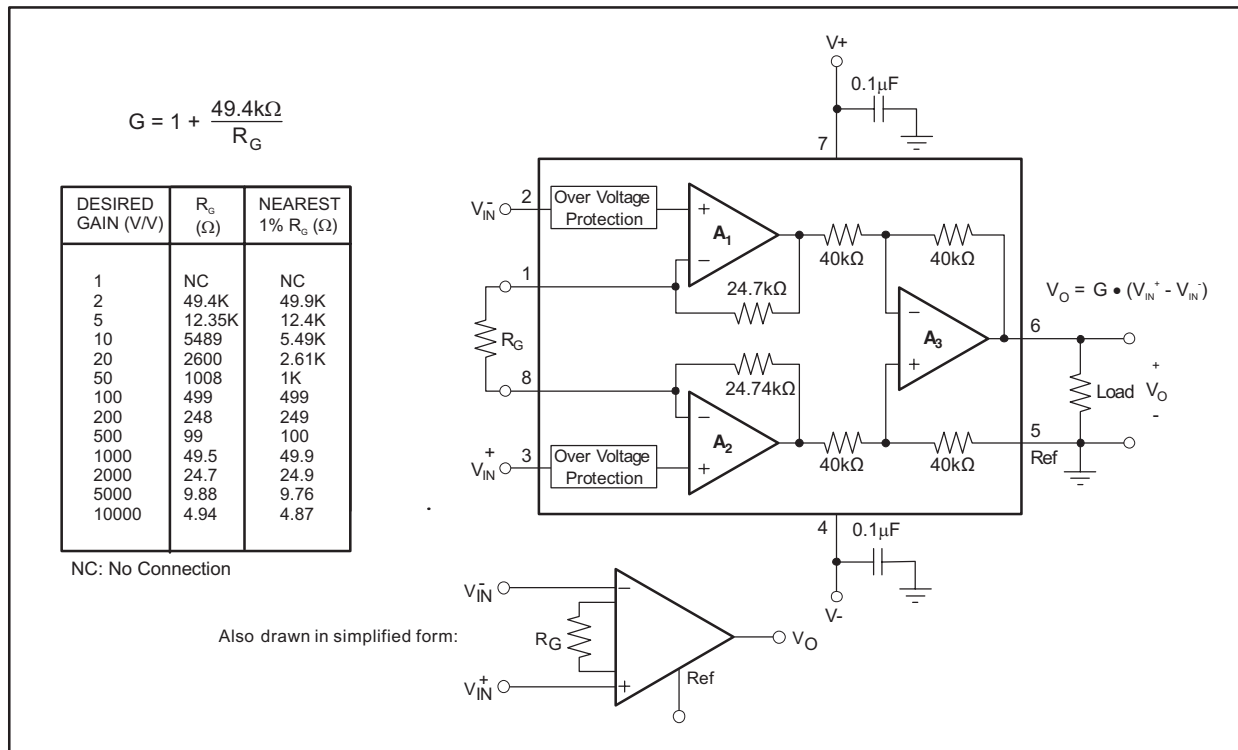


Figure 23. Basic Connections

Dynamic Performance

Figure 1 shows that, despite its low quiescent current, the INA129 achieves wide bandwidth, even at high gain. This is due to the current-feedback topology of the input stage circuitry. Settling time also remains excellent at high gain.

Noise Performance

The INA129 provides very low noise in most applications. Low frequency noise is approximately 0.2 μ VPP measured from 0.1 Hz to 10 Hz ($G \geq 100$). This provides dramatically improved noise when compared to state-of-the-art chopper-stabilized amplifiers.

Offset Trimming

The INA129 is laser trimmed for low offset voltage and offset voltage drift. Most applications require no external offset adjustment. Figure 24 shows an optional circuit for trimming the output offset voltage. The voltage applied to Ref terminal is summed with the output. The operational amplifier buffer provides low impedance at the Ref terminal to preserve good common-mode rejection.

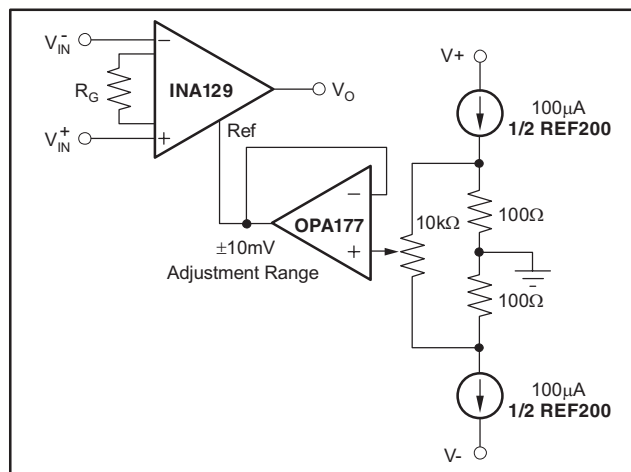


Figure 24. Optional Trimming of Output Offset Voltage

Input Bias Current Return Path

The input impedance of the INA129 is extremely high (approximately $10^{10} \Omega$). However, a path must be provided for the input bias current of both inputs. This input bias current is approximately ± 2 nA. High input impedance means that this input bias current changes very little with varying input voltage.

Input circuitry must provide a path for this input bias current for proper operation. Figure 25 shows various provisions for an input bias current path. Without a bias current path, the inputs will float to a potential which exceeds the common-mode range, and the input amplifiers will saturate.

If the differential source resistance is low, the bias current return path can be connected to one input (see the thermocouple example in Figure 25). With higher source impedance, using two equal resistors provides a balanced input with possible advantages of lower input offset voltage due to bias current and better high-frequency common-mode rejection.

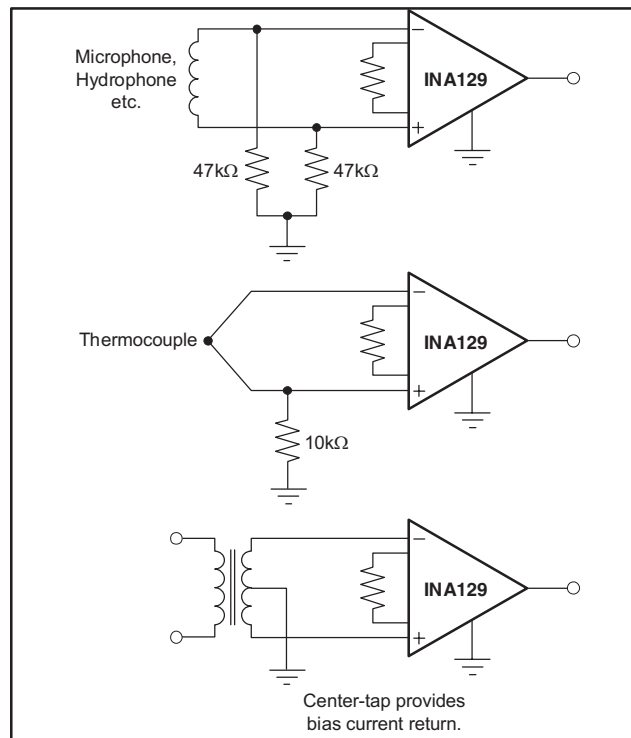


Figure 25. Providing an Input Common-Mode Current Path

Input Common-Mode Range

The linear input voltage range of the input circuitry of the INA129 is from approximately 1.4 V below the positive supply voltage to 1.7 V above the negative supply. As a differential input voltage causes the output voltage increase, however, the linear input range will be limited by the output voltage swing of amplifiers A1 and A2. So the linear common-mode input range is related to the output voltage of the complete amplifier. This behavior also depends on supply voltage (see [Figure 5](#) and [Figure 6](#)).

Input-overload can produce an output voltage that appears normal. For example, if an input overload condition drives both input amplifiers to their positive output swing limit, the difference voltage measured by the output amplifier will be near zero. The output of A3 will be near 0 V even though both inputs are overloaded.

Low Voltage Operation

The INA129 can be operated on power supplies as low as ± 2.25 V. Performance remains excellent with power supplies ranging from ± 2.25 V to ± 18 V. Most parameters vary only slightly throughout this supply voltage range.

Operation at very low supply voltage requires careful attention to assure that the input voltages remain within their linear range. Voltage swing requirements of internal nodes limit the input common-mode range with low power supply voltage. [Figure 5](#) and [Figure 6](#) show the range of linear operation for ± 15 V, ± 5 V, and ± 2.5 V supplies.

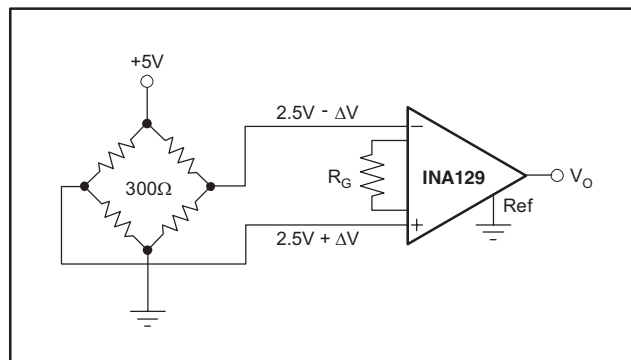


Figure 26. Bridge Amplifier

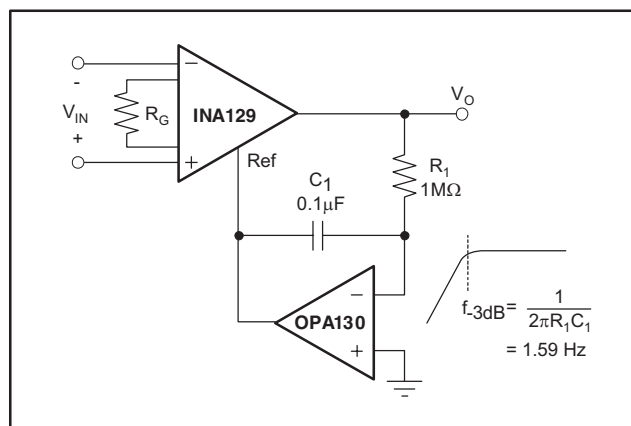


Figure 27. AC-Coupled Instrumentation Amplifier

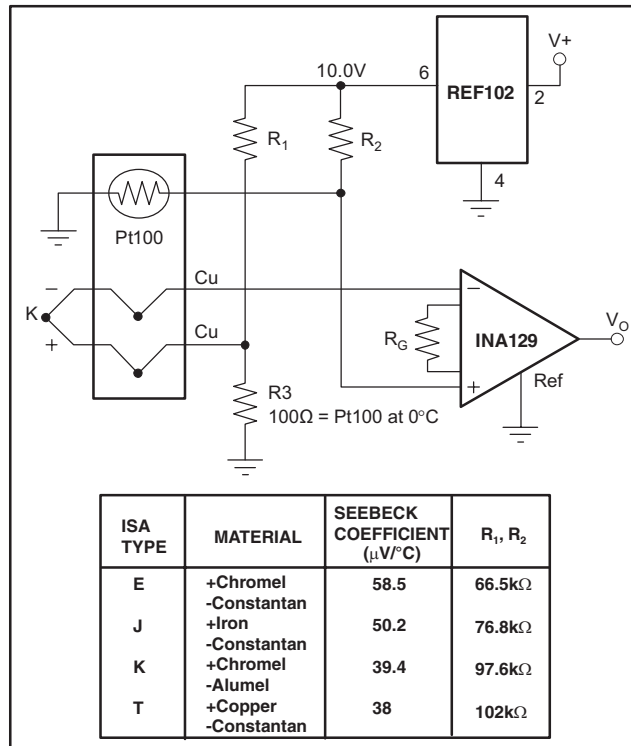


Figure 28. Thermocouple Amplifier With RTD Cold-Junction Compensation

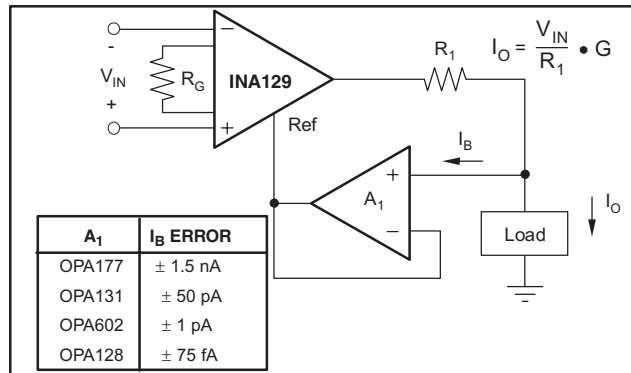


Figure 29. Differential Voltage to Current Converter

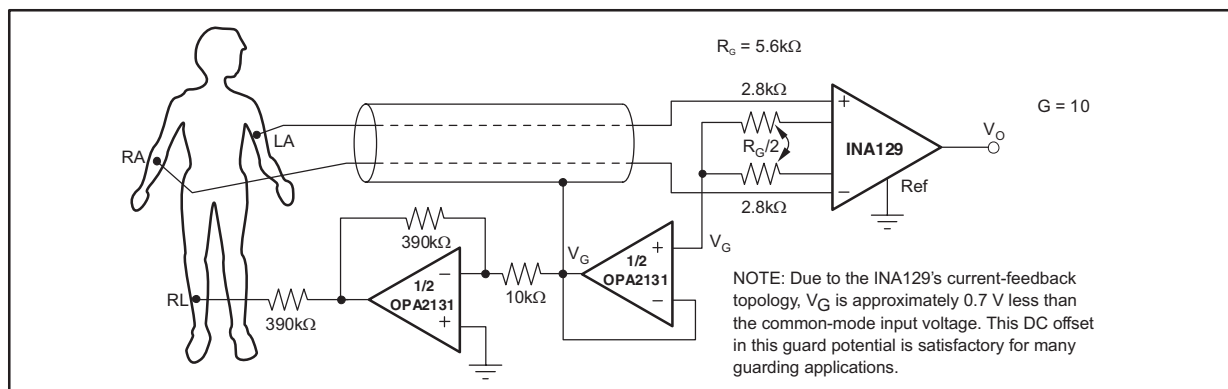


Figure 30. ECG Amplifier With Right-Leg Drive

PACKAGING INFORMATION

Orderable Device	Status ⁽¹⁾	Package Type	Package Drawing	Pins	Package Qty	Eco Plan ⁽²⁾	Lead/Ball Finish	MSL Peak Temp ⁽³⁾
INA129MDREP	ACTIVE	SOIC	D	8	2500	Green (RoHS & no Sb/Br)	CU NIPDAU	Level-3-260C-168 HR
V62/10605-01XE	ACTIVE	SOIC	D	8	2500	Green (RoHS & no Sb/Br)	CU NIPDAU	Level-3-260C-168 HR

⁽¹⁾ The marketing status values are defined as follows:

ACTIVE: Product device recommended for new designs.

LIFEBUY: TI has announced that the device will be discontinued, and a lifetime-buy period is in effect.

NRND: Not recommended for new designs. Device is in production to support existing customers, but TI does not recommend using this part in a new design.

PREVIEW: Device has been announced but is not in production. Samples may or may not be available.

OBsolete: TI has discontinued the production of the device.

⁽²⁾ Eco Plan - The planned eco-friendly classification: Pb-Free (RoHS), Pb-Free (RoHS Exempt), or Green (RoHS & no Sb/Br) - please check <http://www.ti.com/productcontent> for the latest availability information and additional product content details.

TBD: The Pb-Free/Green conversion plan has not been defined.

Pb-Free (RoHS): TI's terms "Lead-Free" or "Pb-Free" mean semiconductor products that are compatible with the current RoHS requirements for all 6 substances, including the requirement that lead not exceed 0.1% by weight in homogeneous materials. Where designed to be soldered at high temperatures, TI Pb-Free products are suitable for use in specified lead-free processes.

Pb-Free (RoHS Exempt): This component has a RoHS exemption for either 1) lead-based flip-chip solder bumps used between the die and package, or 2) lead-based die adhesive used between the die and leadframe. The component is otherwise considered Pb-Free (RoHS compatible) as defined above.

Green (RoHS & no Sb/Br): TI defines "Green" to mean Pb-Free (RoHS compatible), and free of Bromine (Br) and Antimony (Sb) based flame retardants (Br or Sb do not exceed 0.1% by weight in homogeneous material)

⁽³⁾ MSL, Peak Temp. -- The Moisture Sensitivity Level rating according to the JEDEC industry standard classifications, and peak solder temperature.

Important Information and Disclaimer:The information provided on this page represents TI's knowledge and belief as of the date that it is provided. TI bases its knowledge and belief on information provided by third parties, and makes no representation or warranty as to the accuracy of such information. Efforts are underway to better integrate information from third parties. TI has taken and continues to take reasonable steps to provide representative and accurate information but may not have conducted destructive testing or chemical analysis on incoming materials and chemicals. TI and TI suppliers consider certain information to be proprietary, and thus CAS numbers and other limited information may not be available for release.

In no event shall TI's liability arising out of such information exceed the total purchase price of the TI part(s) at issue in this document sold by TI to Customer on an annual basis.

OTHER QUALIFIED VERSIONS OF INA129-EP :

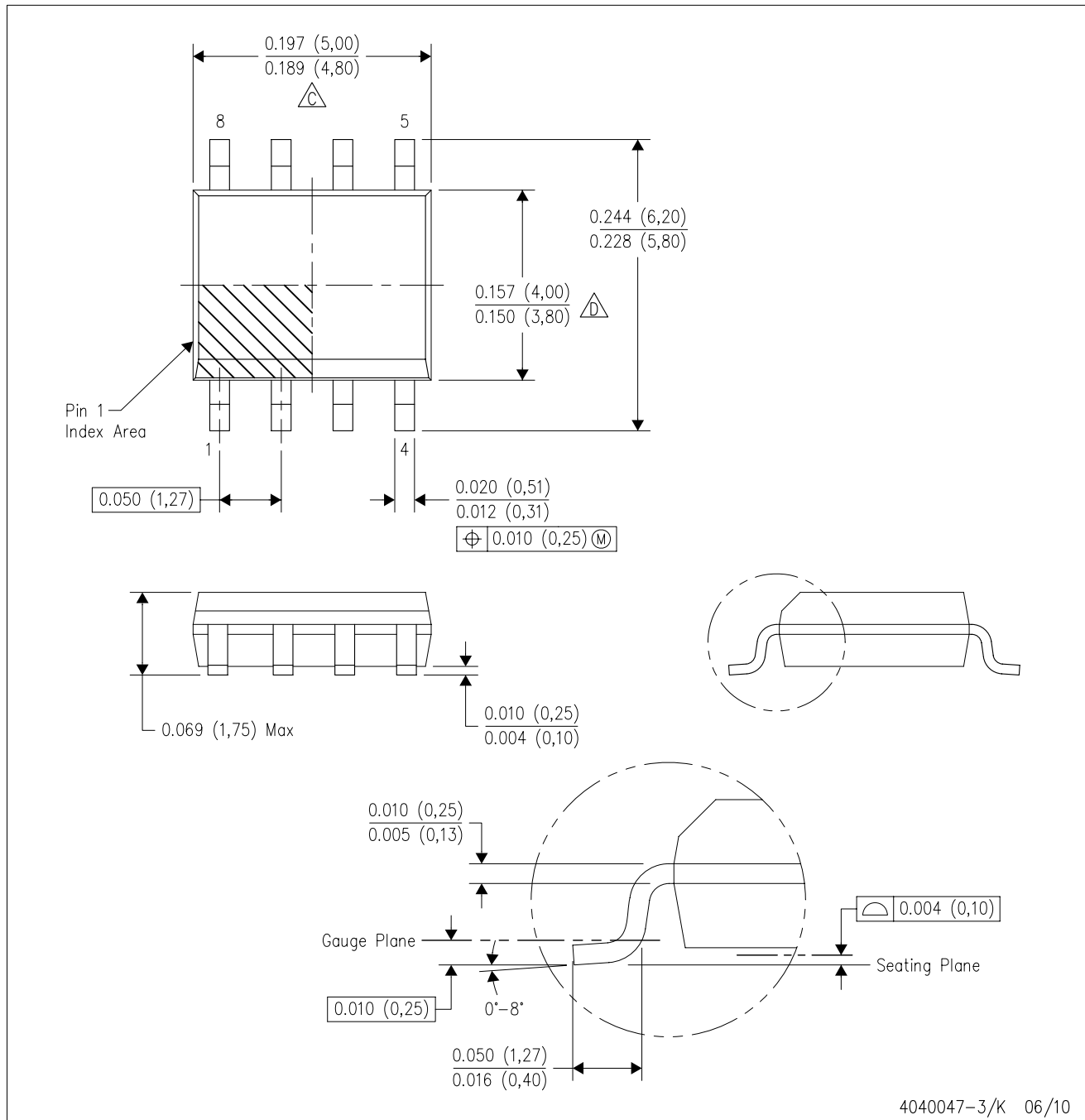
- Catalog: [INA129](#)

NOTE: Qualified Version Definitions:

- Catalog - TI's standard catalog product

D (R-PDSO-G8)

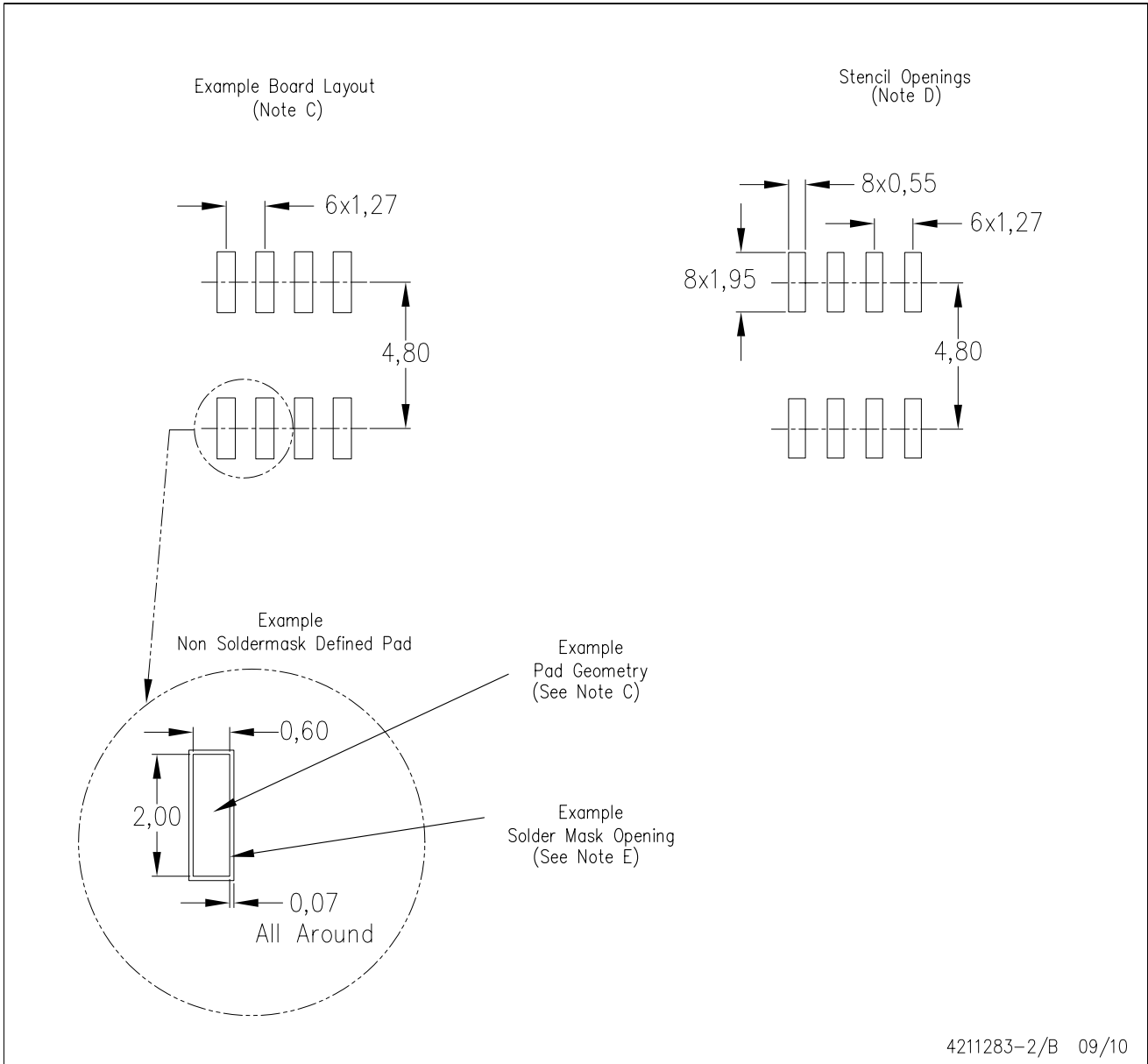
PLASTIC SMALL-OUTLINE PACKAGE



NOTES: A. All linear dimensions are in inches (millimeters).
 B. This drawing is subject to change without notice.
 C. Body length does not include mold flash, protrusions, or gate burrs. Mold flash, protrusions, or gate burrs shall not exceed .006 (0,15) per end.
 D. Body width does not include interlead flash. Interlead flash shall not exceed .017 (0,43) per side.
 E. Reference JEDEC MS-012 variation AA.

D (R-PDSO-G8)

PLASTIC SMALL OUTLINE



- NOTES:
- All linear dimensions are in millimeters.
 - This drawing is subject to change without notice.
 - Publication IPC-7351 is recommended for alternate designs.
 - Laser cutting apertures with trapezoidal walls and also rounding corners will offer better paste release. Customers should contact their board assembly site for stencil design recommendations. Refer to IPC-7525 for other stencil recommendations.
 - Customers should contact their board fabrication site for solder mask tolerances between and around signal pads.

IMPORTANT NOTICE

Texas Instruments Incorporated and its subsidiaries (TI) reserve the right to make corrections, modifications, enhancements, improvements, and other changes to its products and services at any time and to discontinue any product or service without notice. Customers should obtain the latest relevant information before placing orders and should verify that such information is current and complete. All products are sold subject to TI's terms and conditions of sale supplied at the time of order acknowledgment.

TI warrants performance of its hardware products to the specifications applicable at the time of sale in accordance with TI's standard warranty. Testing and other quality control techniques are used to the extent TI deems necessary to support this warranty. Except where mandated by government requirements, testing of all parameters of each product is not necessarily performed.

TI assumes no liability for applications assistance or customer product design. Customers are responsible for their products and applications using TI components. To minimize the risks associated with customer products and applications, customers should provide adequate design and operating safeguards.

TI does not warrant or represent that any license, either express or implied, is granted under any TI patent right, copyright, mask work right, or other TI intellectual property right relating to any combination, machine, or process in which TI products or services are used. Information published by TI regarding third-party products or services does not constitute a license from TI to use such products or services or a warranty or endorsement thereof. Use of such information may require a license from a third party under the patents or other intellectual property of the third party, or a license from TI under the patents or other intellectual property of TI.

Reproduction of TI information in TI data books or data sheets is permissible only if reproduction is without alteration and is accompanied by all associated warranties, conditions, limitations, and notices. Reproduction of this information with alteration is an unfair and deceptive business practice. TI is not responsible or liable for such altered documentation. Information of third parties may be subject to additional restrictions.

Resale of TI products or services with statements different from or beyond the parameters stated by TI for that product or service voids all express and any implied warranties for the associated TI product or service and is an unfair and deceptive business practice. TI is not responsible or liable for any such statements.

TI products are not authorized for use in safety-critical applications (such as life support) where a failure of the TI product would reasonably be expected to cause severe personal injury or death, unless officers of the parties have executed an agreement specifically governing such use. Buyers represent that they have all necessary expertise in the safety and regulatory ramifications of their applications, and acknowledge and agree that they are solely responsible for all legal, regulatory and safety-related requirements concerning their products and any use of TI products in such safety-critical applications, notwithstanding any applications-related information or support that may be provided by TI. Further, Buyers must fully indemnify TI and its representatives against any damages arising out of the use of TI products in such safety-critical applications.

TI products are neither designed nor intended for use in military/aerospace applications or environments unless the TI products are specifically designated by TI as military-grade or "enhanced plastic." Only products designated by TI as military-grade meet military specifications. Buyers acknowledge and agree that any such use of TI products which TI has not designated as military-grade is solely at the Buyer's risk, and that they are solely responsible for compliance with all legal and regulatory requirements in connection with such use.

TI products are neither designed nor intended for use in automotive applications or environments unless the specific TI products are designated by TI as compliant with ISO/TS 16949 requirements. Buyers acknowledge and agree that, if they use any non-designated products in automotive applications, TI will not be responsible for any failure to meet such requirements.

Following are URLs where you can obtain information on other Texas Instruments products and application solutions:

Products		Applications	
Amplifiers	amplifier.ti.com	Audio	www.ti.com/audio
Data Converters	dataconverter.ti.com	Automotive	www.ti.com/automotive
DLP® Products	www.dlp.com	Communications and Telecom	www.ti.com/communications
DSP	dsp.ti.com	Computers and Peripherals	www.ti.com/computers
Clocks and Timers	www.ti.com/clocks	Consumer Electronics	www.ti.com/consumer-apps
Interface	interface.ti.com	Energy	www.ti.com/energy
Logic	logic.ti.com	Industrial	www.ti.com/industrial
Power Mgmt	power.ti.com	Medical	www.ti.com/medical
Microcontrollers	microcontroller.ti.com	Security	www.ti.com/security
RFID	www.ti-rfid.com	Space, Avionics & Defense	www.ti.com/space-avionics-defense
RF/IF and ZigBee® Solutions	www.ti.com/lprf	Video and Imaging	www.ti.com/video
		Wireless	www.ti.com/wireless-apps

Mailing Address: Texas Instruments, Post Office Box 655303, Dallas, Texas 75265
Copyright © 2010, Texas Instruments Incorporated