

# System-Side Impedance Track™ Fuel Gauge With Integrated Sense Resistor

Check for Samples: [bq27421-G1](#)

## FEATURES

- **Single Series Cell Li-Ion Battery Fuel Gauge**
  - Resides on System Board
  - Supports Embedded or Removable Batteries
  - Powered Directly from Battery with Integrated LDO
  - Low-value Integrated Sense Resistor (7 mΩ Typical)
- **Easy to Configure Fuel Gauging Based on Patented Impedance Track™ Technology**
  - Reports Remaining Capacity and State of Charge (SOC) with Smoothing Filter
  - Automatically Adjusts for Battery Aging, Self-discharge, Temperature, and Rate Changes
  - Battery State of Health (aging) Estimation
- **Microcontroller Peripheral Supports:**
  - 400-kHz I<sup>2</sup>C™ Serial Interface
  - Configurable SOC Interrupt, or Battery Low Digital Output Warning
  - Internal Temperature Sensor, or Host Reported Temperature
- **9-pin 1,62 mm × 1,58 mm × 0,5 mm Pitch CSP Package**

## APPLICATIONS

- Smartphones, Feature phones and Tablets
- Digital Still and Video Cameras
- Handheld Terminals
- MP3 or Multimedia Players

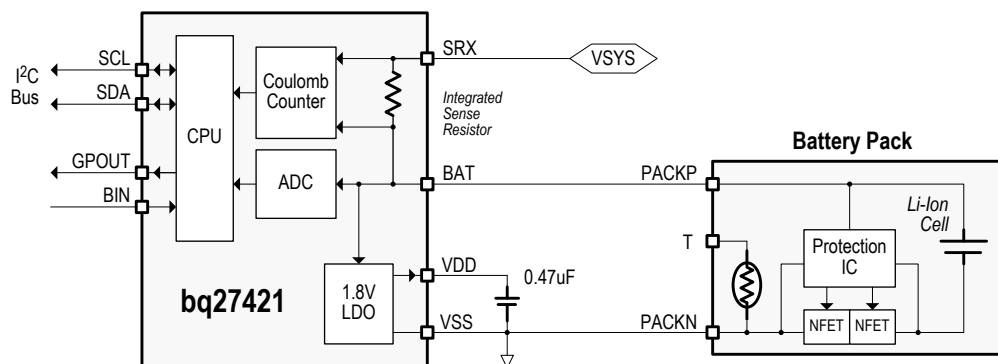
## DESCRIPTION

The Texas Instruments bq27421-G1 is an easy to configure microcontroller peripheral that provides system-side fuel gauging for single-cell Li-Ion batteries. The device requires minimal user configuration and system microcontroller firmware development.

The bq27421-G1 uses the patented Impedance Track™ algorithm for fuel gauging, and provides information such as remaining battery capacity (mAh), state-of-charge (%), and battery voltage (mV).

Battery fuel gauging with the bq27421-G1 requires connections only to PACK+ (P+) and PACK– (P–) for a removable battery pack or embedded battery circuit. The tiny 9-pin 1,62 mm × 1,58 mm × 0,5 mm pitch CSP package is ideal for space constrained applications.

## TYPICAL APPLICATION



Please be aware that an important notice concerning availability, standard warranty, and use in critical applications of Texas Instruments semiconductor products and disclaimers thereto appears at the end of this data sheet.

Impedance Track is a trademark of Texas Instruments.

I<sup>2</sup>C is a trademark of NXP B.V. Corp Netherlands.



These devices have limited built-in ESD protection. The leads should be shorted together or the device placed in conductive foam during storage or handling to prevent electrostatic damage to the MOS gates.

## DEVICE INFORMATION

### AVAILABLE OPTIONS

PART NUMBER	BATTERY TYPE	CHEM_ID (1)	FIRMWARE VERSION (2)	PACKAGE (3)	T <sub>A</sub>	COMM. FORMAT	TAPE and REEL QUANTITY
bq27421YZFR-G1A	LiCoO <sub>2</sub> (4.2 V max charge)	0x128	1.08 (0x0108)	CSP-9	-40°C to 85°C	I <sup>2</sup> C	3000
bq27421YZFT-G1A							250
bq27421YZFR-G1B	LiMn <sub>2</sub> O <sub>4</sub> (4.3 - 4.35 V max charge)	0x312					3000
bq27421YZFT-G1B							250

(1) See the CHEM\_ID subcommand to confirm the battery chemistry type.

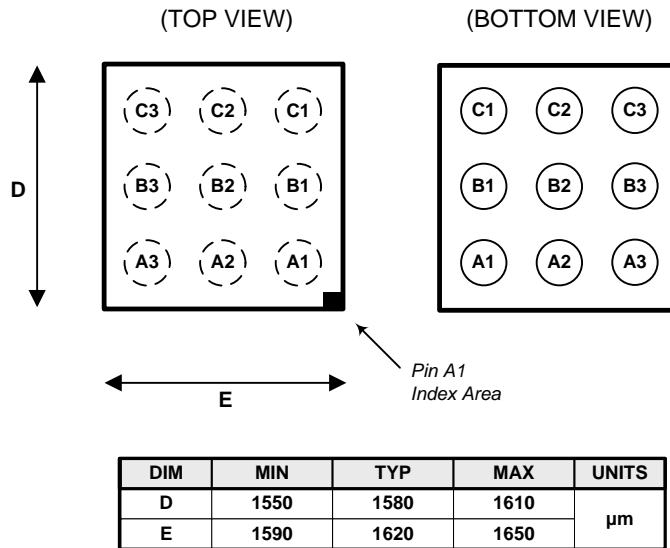
(2) See the FW\_VERSION subcommand to confirm the firmware version.

(3) For the most current package and ordering information see the Package Option Addendum at the end of this document; or, see the TI website at [www.ti.com](http://www.ti.com).

### THERMAL INFORMATION

THERMAL METRIC <sup>(1)</sup>		bq27421-G1	UNITS
		YZF(9 PINS)	
θ <sub>JA</sub>	Junction-to-ambient thermal resistance	107.8	°C/W
θ <sub>JCtop</sub>	Junction-to-case (top) thermal resistance	0.7	
θ <sub>JB</sub>	Junction-to-board thermal resistance	60.4	
ψ <sub>JT</sub>	Junction-to-top characterization parameter	3.5	
ψ <sub>JB</sub>	Junction-to-board characterization parameter	60.4	
θ <sub>JCbot</sub>	Junction-to-case (bottom) thermal resistance	n/a	

(1) For more information about traditional and new thermal metrics, see the IC Package Thermal Metrics application report, [SPRA953](http://www.ti.com/lit/zip/Spr953)

**PIN DIAGRAM AND PACKAGE DIMENSIONS**

**PIN FUNCTIONS**

PIN		TYPE <sup>(1)</sup>	DESCRIPTION
NAME	NO.		
BAT	C3	PI, AI	LDO regulator input, battery voltage input, and coulomb counter input typically connected to the PACK+ terminal.
VDD	B3	PO	1.8V Regulator Output. Decouple with 0.47μF ceramic capacitor to Vss. This pin is not intended to provide power for other devices in the system.
VSS	B2, C1	PI	Ground pins. The center pin B2 is the actual device ground pin while pin C1 is floating internally and therefore C1 may be used as a bridge to connect to the board ground plane without requiring a via under the device package. Recommend routing the center pin B2 to the corner pin C1 using a top-layer metal trace on the board. Then route the corner pin C1 to the board ground plane.
SRX	C2	AI	Integrated high-side sense resistor and coulomb counter input typically connected to system power rail VSYS.
GPOUT	A1	DO	General Purpose open-drain output. May be configured as a Battery Low indicator or perform SOC interrupt (SOC_INT) function.
SDA	A2	DIO	Slave I <sup>2</sup> C serial bus for communication with system (Master). Open-drain pins. Use with external 10kΩ pull-up resistors (typical) for each pin. If the external pull-up resistors will be disconnected from these pins during normal operation, recommend using external 1MΩ pull-down resistors to VSS at each pin to avoid floating inputs.
SCL	A3		
BIN	B1	DI	Battery-insertion detection input. A logic high to low transition is detected as a battery insertion event. Recommend using a pull-up resistor >1MΩ (1.8 MΩ typical) to V <sub>CC</sub> for reduced power consumption. An internal pull-up resistor option is also available.

(1) I/O = Digital input/output, IA = Analog input, P = Power connection

## ELECTRICAL SPECIFICATIONS

### ABSOLUTE MAXIMUM RATINGS

over operating free-air temperature range (unless otherwise noted)<sup>(1)</sup>

PARAMETER		VALUE	UNIT
V <sub>BAT</sub>	BAT pin input voltage range	–0.3 to 6.0	V
V <sub>SRX</sub>	SRX pin input voltage range <sup>(1)</sup>	V <sub>BAT</sub> ± 0.03	V
V <sub>DD</sub>	VDD pin supply voltage range (LDO output)	–0.3 to 2.0	V
V <sub>IOD</sub>	Open-drain I/O pins (SDA, SCL, GPOUT )	–0.3 to 6.0	V
V <sub>IOPP</sub>	Push-Pull I/O pins (BIN )	–0.3 to V <sub>DD</sub> + 0.3	V
T <sub>A</sub>	Operating free-air temperature range	–40 to 85	°C
T <sub>STG</sub>	Storage temperature range	–65 to 150	°C

(1) Stresses beyond those listed under "absolute maximum ratings" may cause permanent damage to the device. These are stress ratings only, and functional operation of the device at these or any other conditions beyond those indicated under "recommended operating conditions" is not implied. Exposure to absolute-maximum-rated conditions for extended periods may affect device reliability.

### RECOMMENDED OPERATING CONDITIONS

T<sub>A</sub> = 30°C and V<sub>REGIN</sub> = V<sub>BAT</sub> = 3.6V (unless otherwise noted)

PARAMETER		TEST CONDITIONS	MIN	TYP	MAX	UNIT
C <sub>BAT</sub> <sup>(1)</sup>	External input capacitor for internal LDO between BAT and V <sub>SS</sub>	Nominal capacitor values specified. Recommend a 5% ceramic X5R type capacitor located close to the device.		0.1		μF
C <sub>LDO18</sub> <sup>(1)</sup>	External output capacitor for internal LDO between V <sub>CC</sub> and V <sub>SS</sub>			0.47		μF
V <sub>PU</sub> <sup>(1)</sup>	External pull-up voltage for open-drain pins (SDA, SCL, GPOUT )		1.62		3.6	V

(1) Specified by design. Not production tested.

### SUPPLY CURRENT

T<sub>A</sub> = 30°C and V<sub>REGIN</sub> = V<sub>BAT</sub> = 3.6V (unless otherwise noted)

PARAMETER		TEST CONDITIONS	MIN	TYP	MAX	UNIT
I <sub>CC</sub> <sup>(1)</sup>	NORMAL mode current	I <sub>LOAD</sub> > <b>Sleep Current</b> <sup>(2)</sup>		93		μA
I <sub>SLP</sub> <sup>(1)</sup>	SLEEP mode current	I <sub>LOAD</sub> < <b>Sleep Current</b> <sup>(2)</sup>		21		μA
I <sub>HIB</sub> <sup>(1)</sup>	HIBERNATE mode current	I <sub>LOAD</sub> < <b>Hibernate Current</b> <sup>(2)</sup>		9		μA
I <sub>SD</sub> <sup>(1)</sup>	SHUTDOWN mode current	Fuel gauge in host commanded SHUTDOWN mode. (LDO Regulator Output Disabled.)		0.6		μA

(1) Specified by design. Not production tested.

(2) Wake Comparator Disabled.

## DIGITAL INPUT AND OUTPUT DC CHARACTERISTICS

$T_A = -40^\circ\text{C}$  to  $85^\circ\text{C}$ , typical values at  $T_A = 30^\circ\text{C}$  and  $V_{\text{REGIN}} = 3.6\text{ V}$  (unless otherwise noted)

PARAMETER	TEST CONDITIONS	MIN	TYP	MAX	UNIT
$V_{\text{IH(OD)}}$	Input voltage, high <sup>(2)</sup> External pullup resistor to $V_{\text{PU}}$	$V_{\text{PU}} + 0.7$			V
$V_{\text{IH(PP)}}$	Input voltage, high <sup>(3)</sup>	1.4			V
$V_{\text{IL}}$	Input voltage, low <sup>(2) (3)</sup>			0.6	V
$V_{\text{OL}}$	Output voltage, low <sup>(2)</sup>			0.6	V
$I_{\text{OH}}$	Output source current, high <sup>(2) (3)</sup>			0.5	mA
$I_{\text{OL(OD)}}$	Output sink current, low <sup>(2)</sup>			-3	mA
$C_{\text{IN}}^{(1)}$	Input capacitance <sup>(2) (3)</sup>			5	pF
$I_{\text{lk}}^{(1)}$	Input leakage current (I/O pins) <sup>(2) (3)</sup>			1	$\mu\text{A}$

- (1) Specified by design. Not production tested.  
 (2) Open Drain pins: (SCL, SDA, GPOUT )  
 (3) Push Pull pin: (BIN )

## LDO REGULATOR, WAKE-UP AND AUTO-SHUTDOWN DC CHARACTERISTICS

$T_A = -40^\circ\text{C}$  to  $85^\circ\text{C}$ , typical values at  $T_A = 30^\circ\text{C}$  and  $V_{\text{REGIN}} = 3.6\text{ V}$  (unless otherwise noted)

PARAMETER	TEST CONDITIONS	MIN	TYP	MAX	UNIT
$V_{\text{BAT}}$	BAT pin regulator input	2.45		4.5	V
$V_{\text{DD}}$	Regulator output voltage		1.8		V
$\text{UVLO}_{\text{IT+}}$	$V_{\text{BAT}}$ Under Voltage Lock Out LDO Wake-Up Rising Threshold <sup>(2)</sup>		2.0		V
$\text{UVLO}_{\text{IT-}}$	$V_{\text{BAT}}$ Under Voltage Lock Out LDO Auto-Shutdown Falling Threshold <sup>(2)</sup>		1.95		V
$V_{\text{WU+}}^{(1)}$	GPOUT (input) LDO Wake-Up rising edge threshold <sup>(2)</sup>	LDO Wake-up from SHUTDOWN mode	1.2		V

- (1) Specified by design. Not production tested.  
 (2) If the device is commanded to SHUTDOWN via I2C with  $V_{\text{BAT}} > \text{UVLO}_{\text{IT+}}$ , a wake-up rising edge trigger is required on GPOUT .

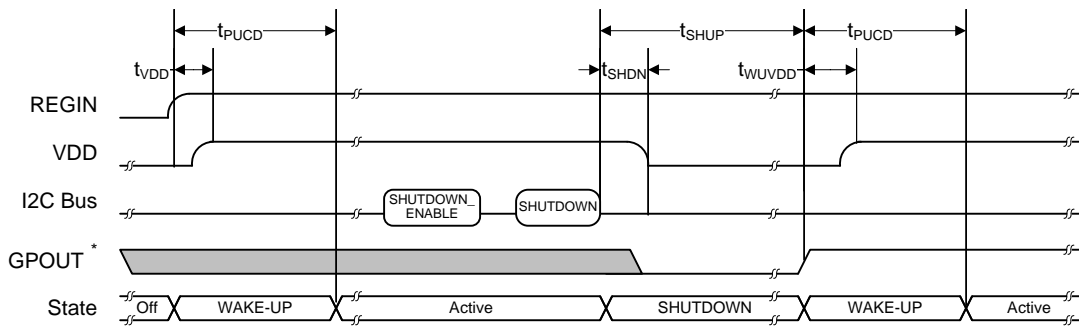
## LDO REGULATOR, WAKE-UP AND AUTO-SHUTDOWN AC CHARACTERISTICS

$T_A = -40^{\circ}\text{C}$  to  $85^{\circ}\text{C}$ , typical values at  $T_A = 30^{\circ}\text{C}$  and  $V_{\text{REGIN}} = 3.6\text{ V}$  (unless otherwise noted)

PARAMETER	TEST CONDITIONS	MIN	TYP	MAX	UNIT
$t_{\text{SHDN}}^{(1)}$	SHUTDOWN Entry Time			250	ms
$t_{\text{SHUP}}^{(1)}$	SHUTDOWN GPOUT Low time	10			$\mu\text{s}$
$t_{\text{VDD}}^{(1)}$	Initial $V_{\text{DD}}$ Output delay		13		ms
$t_{\text{WUVDD}}^{(1)}$	Wake-up $V_{\text{DD}}$ Output delay		8		ms
$t_{\text{PUCD}}$	Power-up communication delay		250		ms

(1) Specified by design. Not production tested.

### SHUTDOWN and WAKE-UP Timing



\* GPOUT is configured as an input for wake-up signaling.

Figure 1. SHUTDOWN and WAKE-UP Timing Diagram

## ADC (TEMPERATURE AND CELL MEASUREMENT) CHARACTERISTICS

 $T_A = -40^{\circ}\text{C}$  to  $85^{\circ}\text{C}$ ; typical values at  $T_A = 30^{\circ}\text{C}$  and  $V_{\text{REGIN}} = 3.6\text{ V}$  (unless otherwise noted)

PARAMETER	TEST CONDITIONS	MIN	TYP	MAX	UNIT
$V_{\text{IN(BAT)}}$	BAT pin voltage measurement range. Voltage divider enabled.	2.45		4.5	V
$t_{\text{ADC\_CONV}}$	Conversion time		125		ms
	Effective Resolution		15		bits

(1) Specified by design. Not tested in production.

## INTEGRATING ADC (COULOMB COUNTER) CHARACTERISTICS

 $T_A = -40^{\circ}\text{C}$  to  $85^{\circ}\text{C}$ ; typical values at  $T_A = 30^{\circ}\text{C}$  and  $V_{\text{REGIN}} = 3.6\text{ V}$  (unless otherwise noted)

PARAMETER	TEST CONDITIONS	MIN	TYP	MAX	UNIT
$V_{\text{SR}}$	Input voltage range from BAT to SRX pins		BAT $\pm$ 25		mV
$t_{\text{SR\_CONV}}$	Conversion time Single conversion		1		s
	Effective Resolution Single conversion		16		bits

(1) Assured by design. Not tested in production.

## INTEGRATED SENSE RESISTOR CHARACTERISTICS

 $T_A = -40^{\circ}\text{C}$  to  $85^{\circ}\text{C}$ ; typical values at  $T_A = 30^{\circ}\text{C}$  and  $V_{\text{REGIN}} = 3.6\text{ V}$  (unless otherwise noted)

PARAMETER	TEST CONDITIONS	MIN	TYP	MAX	UNIT
$\text{SRX}_{\text{RES}}$ <sup>(2)</sup>	Resistance of Integrated Sense Resistor from SRX to VSS. $T_A = 30^{\circ}\text{C}$		7		m $\Omega$
$I_{\text{SRX}}$ <sup>(1)</sup>	Recommended Sense Resistor input current. Long term RMS, average device utilization.			2000	mA
	Peak RMS current, 10% device utilization. <sup>(3)</sup>			2500	mA
	Peak pulsed current, 250mS max, 1% device utilization. <sup>(3)</sup>			3500	mA

(1) Specified by design. Not tested in production.

(2) Firmware compensation applied for temperature coefficient of resistor.

(3) Device utilization is the long term usage profile at a specific condition compared to the average condition.

## I<sup>2</sup>C-COMPATIBLE INTERFACE COMMUNICATION TIMING CHARACTERISTICS

T<sub>A</sub> = -40°C to 85°C; typical values at T<sub>A</sub> = 30°C and V<sub>REGIN</sub> = 3.6 V (unless otherwise noted)

PARAMETER	TEST CONDITIONS	MIN	TYP	MAX	UNIT
<b>Standard Mode (100 kHz)</b>					
t <sub>d(STA)</sub>	Start to first falling edge of SCL	4.0			μs
t <sub>w(L)</sub>	SCL pulse duration (low)	4.7			μs
t <sub>w(H)</sub>	SCL pulse duration (high)	4.0			μs
t <sub>su(STA)</sub>	Setup for repeated start	4.7			μs
t <sub>su(DAT)</sub>	Data setup time	Host drives SDA			ns
t <sub>h(DAT)</sub>	Data hold time	Host drives SDA			ns
t <sub>su(STOP)</sub>	Setup time for stop	4.0			μs
t <sub>(BUF)</sub>	Bus free time between stop and start	Includes Command Waiting Time		66	μs
t <sub>f</sub>	SCL/SDA fall time <sup>(1)</sup>			300	ns
t <sub>r</sub>	SCL/SDA rise time <sup>(1)</sup>			300	ns
f <sub>SCL</sub>	Clock frequency <sup>(2)</sup>			100	kHz
<b>Fast Mode (400 kHz)</b>					
t <sub>d(STA)</sub>	Start to first falling edge of SCL	600			ns
t <sub>w(L)</sub>	SCL pulse duration (low)	1300			ns
t <sub>w(H)</sub>	SCL pulse duration (high)	600			ns
t <sub>su(STA)</sub>	Setup for repeated start	600			ns
t <sub>su(DAT)</sub>	Data setup time	Host drives SDA		100	ns
t <sub>h(DAT)</sub>	Data hold time	Host drives SDA		0	ns
t <sub>su(STOP)</sub>	Setup time for stop	600			ns
t <sub>(BUF)</sub>	Bus free time between stop and start	Includes Command Waiting Time		66	μs
t <sub>f</sub>	SCL/SDA fall time <sup>(1)</sup>			300	ns
t <sub>r</sub>	SCL/SDA rise time <sup>(1)</sup>			300	ns
f <sub>SCL</sub>	Clock frequency <sup>(2)</sup>			400	kHz

- (1) Specified by design. Not production tested.
- (2) If the clock frequency (f<sub>SCL</sub>) is > 100 kHz, use 1-byte write commands for proper operation. All other transactions types are supported at 400 kHz. (Refer to [I<sup>2</sup>C INTERFACE](#) and [I<sup>2</sup>C Command Waiting Time](#))

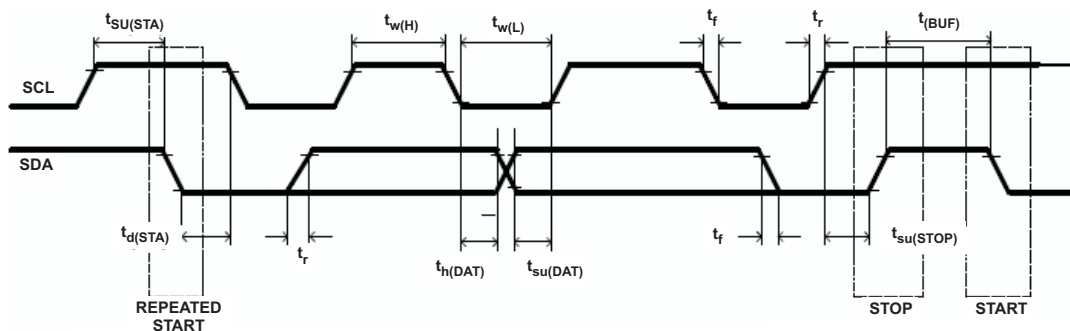


Figure 2. I<sup>2</sup>C-Compatible Interface Timing Diagrams

## GENERAL DESCRIPTION

The bq27421-G1 accurately predicts the battery capacity and other operational characteristics of a single Li-based rechargeable cell. It can be interrogated by a system processor to provide cell information, such as state-of-charge (SOC).

Information is accessed through a series of commands, called *Standard Commands*. Further capabilities are provided by the additional *Extended Commands* set. Both sets of commands, indicated by the general format *Command( )*, are used to read and write information contained within the bq27421-G1 control and status registers, as well as its data locations. Commands are sent from system to gauge using the bq27421-G1's I<sup>2</sup>C serial communications engine, and can be executed during application development, system manufacture, or end-equipment operation.

The key to the bq27421-G1's high-accuracy gas gauging prediction is Texas Instrument's proprietary Impedance Track™ algorithm. This algorithm uses cell measurements, characteristics, and properties to create state-of-charge predictions that can achieve high accuracy across a wide variety of operating conditions and over the lifetime of the battery.

The bq27421-G1 measures charge/discharge activity by monitoring the voltage across a small-value sense resistor. When a cell is attached to the bq27421-G1, cell impedance is computed, based on cell current, cell open-circuit voltage (OCV), and cell voltage under loading conditions.

The bq27421-G1 uses an integrated temperature sensor for estimating cell temperature. Alternatively, the host processor can provide temperature data for the bq27421-G1.

To minimize power consumption, the bq27421-G1 has several power modes: INITIALIZATION, NORMAL, SLEEP, HIBERNATE and SHUTDOWN. The bq27421-G1 passes automatically between these modes, depending upon the occurrence of specific events, though a system processor can initiate some of these modes directly. More details are found in the [bq27421-G1 Technical Reference Manual \(SLUUAC5\)](#).

---

### NOTE

#### Formatting Conventions in this Document:

**Commands:** *italics* with parentheses( ) and no breaking spaces, for example, *RemainingCapacity( )*.

**Data Flash:** *italics*, **bold**, and breaking spaces, for example, ***Design Capacity***.

**Register bits and flags:** *italics* with brackets [ ], for example, *[TDA]*

**Data flash bits:** *italics*, **bold**, and brackets [ ], for example, ***[LED1]***

**Modes and states:** ALL CAPITALS, for example, UNSEALED mode.

---

## DATA COMMANDS

### STANDARD DATA COMMANDS

The bq27421-G1 uses a series of 2-byte standard commands to enable system reading and writing of battery information. Each standard command has an associated command-code pair, as indicated in . Because each command consists of two bytes of data, two consecutive I2C transmissions must be executed both to initiate the command function, and to read or write the corresponding two bytes of data. Additional details are found in the [bq27421-G1 Technical Reference Manual \(SLUUAC5\)](#).

**Table 1. Standard Commands**

NAME		COMMAND CODE	UNITS	SEALED ACCESS
<i>Control( )</i>	CNTL	0x00 / 0x01	N/A	R/W
<i>Temperature( )</i>	TEMP	0x02 / 0x03	0.1°K	R/W
<i>Voltage( )</i>	VOLT	0x04 / 0x05	mV	R
<i>Flags( )</i>	FLAGS	0x06 / 0x07	N/A	R
<i>NominalAvailableCapacity( )</i>		0x08 / 0x09	mAh	R
<i>FullAvailableCapacity( )</i>		0x0a / 0x0b	mAh	R
<i>RemainingCapacity( )</i>	RM	0x0c / 0x0d	mAh	R
<i>FullChargeCapacity( )</i>	FCC	0x0e / 0x0f	mAh	R
<i>AverageCurrent( )</i>		0x10 / 0x11	mA	R
<i>StandbyCurrent( )</i>		0x12 / 0x13	mA	R
<i>MaxLoadCurrent( )</i>		0x14 / 0x15	mA	R
<i>AveragePower( )</i>		0x18 / 0x19	mW	R
<i>StateOfCharge( )</i>	SOC	0x1c / 0x1d	%	R
<i>IntTemperature( )</i>		0x1e / 0x1f	0.1°K	R
<i>StateOfHealth( )</i>	SOH	0x20 / 0x21	num / %	R

**Control( ): 0x00/0x01**

Issuing a *Control()* command requires a subsequent 2-byte subcommand. These additional bytes specify the particular control function desired. The *Control()* command allows the system to control specific features of the bq27421-G1 during normal operation and additional features when the device is in different access modes, as described in . Additional details are found in the [bq27421-G1 Technical Reference Manual \(SLUUAC5\)](#).

**Table 2. Control( ) Subcommands**

CNTL FUNCTION	CNTL DATA	SEALED ACCESS	DESCRIPTION
CONTROL_STATUS	0x0000	Yes	Reports the status of device.
DEVICE_TYPE	0x0001	Yes	Reports the device type (0x0421).
FW_VERSION	0x0002	Yes	Reports the firmware version of the device.
DM_CODE	0x0004	Yes	Reports the Data Memory Code number stored in NVM.
PREV_MACWRITE	0x0007	Yes	Returns previous MAC command code.
CHEM_ID	0x0008	Yes	Reports the chemical identifier of the Impedance Track™ configuration
BAT_INSERT	0x000c	Yes	Forces the <i>[BAT_DET]</i> bit set when the <i>[BIE]</i> bit is 0.
BAT_REMOVE	0x000d	Yes	Forces the <i>[BAT_DET]</i> bit clear when the <i>[BIE]</i> bit is 0.
SET_HIBERNATE	0x0011	Yes	Forces CONTROL_STATUS [ <i>HIBERNATE</i> ] to 1.
CLEAR_HIBERNATE	0x0012	Yes	Forces CONTROL_STATUS [ <i>HIBERNATE</i> ] to 0.
SET_CFGUPDATE	0x0013	No	Force CONTROL_STATUS [ <i>CFGUPMODE</i> ] to 1 and gauge enters CONFIG UPDATE mode.
SHUTDOWN_ENABLE	0x001b	No	Enables device SHUTDOWN mode.
SHUTDOWN	0x001c	No	Commands the device to enter SHUTDOWN mode.
TOGGLE_GPOUT	0x0023	Yes	Commands the device to toggle the GPOUT pin for 1ms.
SEALED	0x0020	No	Places the device in SEALED access mode.
RESET	0x0041	No	Performs a full device reset.
SOFT_RESET	0x0042	No	Gauge exits CONFIG UPDATE mode.

Refer to the bq27421-G1 Technical Reference Manual for detailed descriptions for the Standard Data Commands and *Control()* subcommands.

## FUNCTIONAL DESCRIPTION

### I<sup>2</sup>C INTERFACE

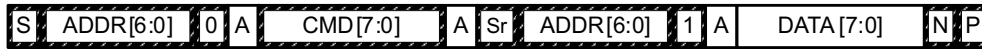
The bq27421-G1 supports the standard I<sup>2</sup>C read, incremental read, quick read, one-byte write, and incremental write functions. The 7-bit device address (ADDR) is the most significant 7 bits of the hex address and is fixed as 1010101. The first 8 bits of the I<sup>2</sup>C protocol are, therefore, 0xAA or 0xAB for write or read, respectively.

Host generated     Gauge generated

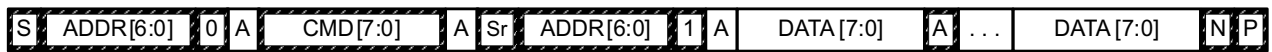


(a) 1-byte write

(b) quick read



(c) 1- byte read



(d) incremental read



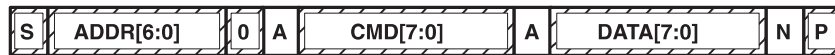
(e) incremental write

(S = Start, Sr = Repeated Start, A = Acknowledge, N = No Acknowledge, and P = Stop).

The quick read returns data at the address indicated by the address pointer. The address pointer, a register internal to the I<sup>2</sup>C communication engine, increments whenever data is acknowledged by the bq27421-G1 or the I<sup>2</sup>C master. "Quick writes" function in the same manner and are a convenient means of sending multiple bytes to consecutive command locations (such as two-byte commands that require two bytes of data).

The following command sequences are not supported:

Attempt to write a read-only address (NACK after data sent by master):



Attempt to read an address above 0x6B (NACK command):

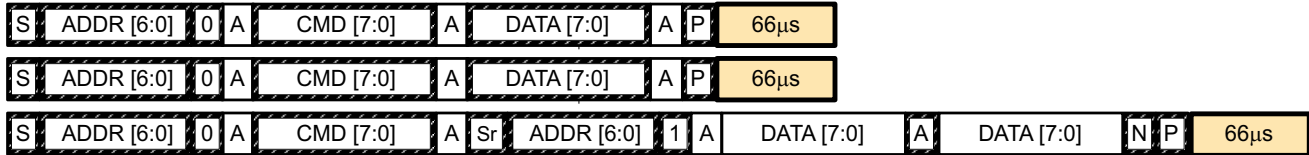


### I<sup>2</sup>C Time Out

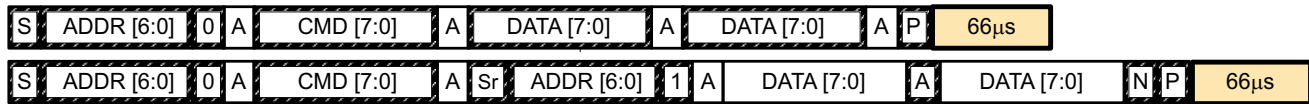
The I<sup>2</sup>C engine releases both SDA and SCL if the I<sup>2</sup>C bus is held low for 2 seconds. If the bq27421-G1 is holding the lines, releasing them frees them for the master to drive the lines. If an external condition is holding either of the lines low, the I<sup>2</sup>C engine enters the low-power sleep mode.

## I<sup>2</sup>C Command Waiting Time

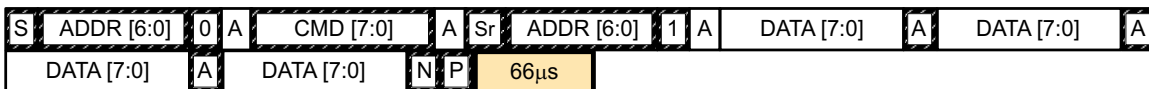
To ensure proper operation at 400 kHz, a  $t_{(BUF)} \geq 66 \mu s$  bus-free waiting time must be inserted between all packets addressed to the bq27421-G1. In addition, if the SCL clock frequency ( $f_{SCL}$ ) is  $> 100$  kHz, use individual 1-byte write commands for proper data flow control. The following diagram shows the standard waiting time required between issuing the control subcommand and the reading the status result. For read-write standard command, a minimum of 2 seconds is required to get the result updated. For read-only standard commands, there is no waiting time required, but the host must not issue any standard command more than two times per second. Otherwise, the gauge could result in a reset issue due to the expiration of the watchdog timer.



Waiting time inserted between two 1-byte write packets for a subcommand and reading results (required for  $100 \text{ kHz} < f_{SCL} \leq 400 \text{ kHz}$ )



Waiting time inserted between incremental 2-byte write packet for a subcommand and reading results (acceptable for  $f_{SCL} \leq 100 \text{ kHz}$ )

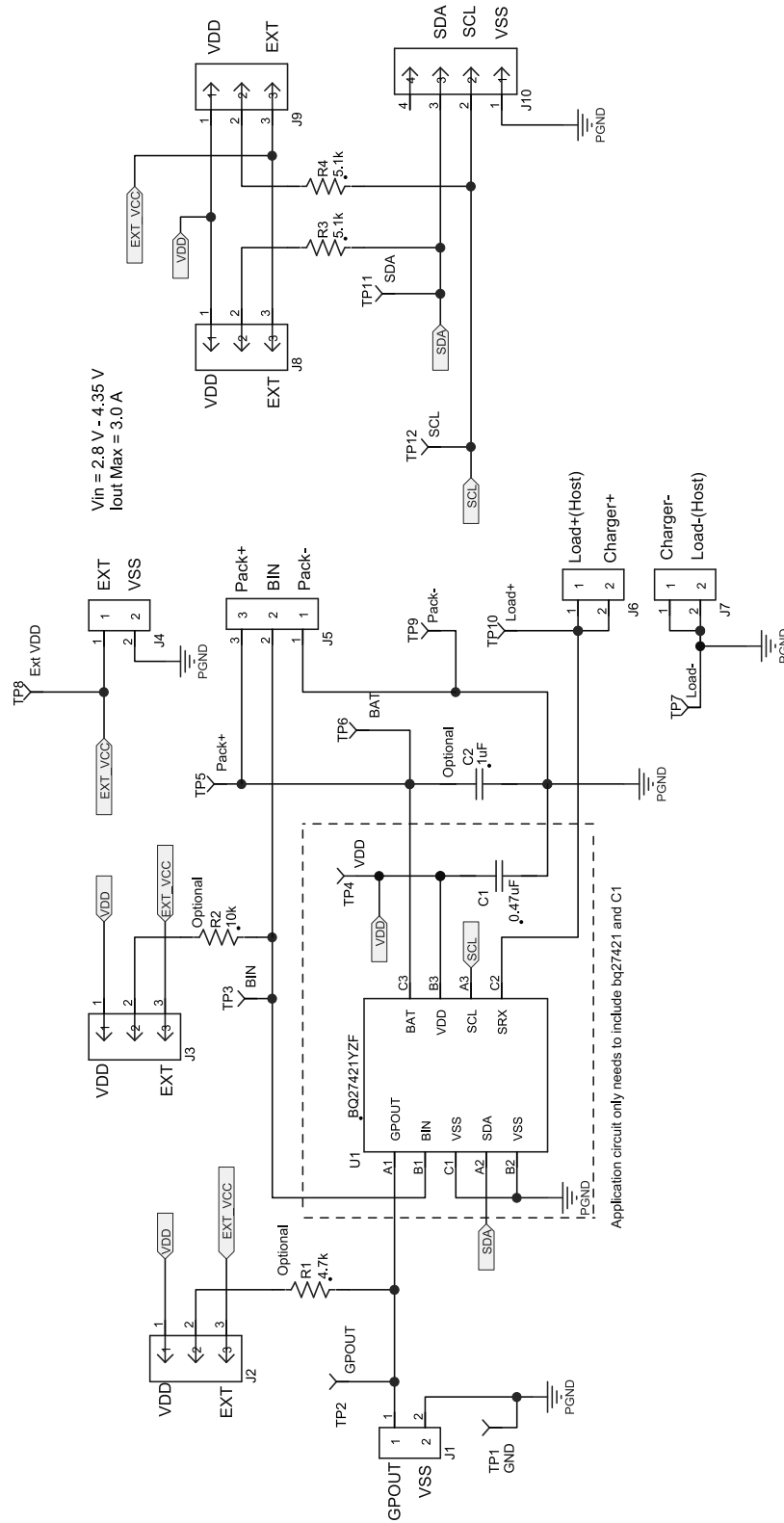


Waiting time inserted after incremental read

## I<sup>2</sup>C Clock Stretching

A clock stretch can occur during all modes of fuel gauge operation. In SLEEP and HIBERNATE modes, a short  $\leq 100 \mu s$  clock stretch occurs on all I<sup>2</sup>C traffic as the device must wake-up to process the packet. In the other modes ( INITIALIZATION , NORMAL) a  $\leq 4$  ms clock stretching period may occur within packets addressed for the fuel gauge as the I<sup>2</sup>C interface performs normal data flow control.

REFERENCE (EVM) SCHEMATIC



## PACKAGING INFORMATION

Orderable Device	Status (1)	Package Type	Package Drawing	Pins	Package Qty	Eco Plan (2)	Lead/Ball Finish	MSL Peak Temp (3)	Op Temp (°C)	Device Marking (4/5)	Samples
BQ27421YZFR-G1A	ACTIVE	DSBGA	YZF	9	3000	Green (RoHS & no Sb/Br)	SNAGCU	Level-1-260C-UNLIM	-40 to 85	BQ27421 G1A	<a href="#">Samples</a>
BQ27421YZFR-G1B	ACTIVE	DSBGA	YZF	9	3000	Green (RoHS & no Sb/Br)	SNAGCU	Level-1-260C-UNLIM	-40 to 85	BQ27421 G1B	<a href="#">Samples</a>
BQ27421YZFT-G1A	ACTIVE	DSBGA	YZF	9	250	Green (RoHS & no Sb/Br)	SNAGCU	Level-1-260C-UNLIM	-40 to 85	BQ27421 G1A	<a href="#">Samples</a>
BQ27421YZFT-G1B	ACTIVE	DSBGA	YZF	9	250	Green (RoHS & no Sb/Br)	SNAGCU	Level-1-260C-UNLIM	-40 to 85	BQ27421 G1B	<a href="#">Samples</a>

(1) The marketing status values are defined as follows:

**ACTIVE:** Product device recommended for new designs.

**LIFEBUY:** TI has announced that the device will be discontinued, and a lifetime-buy period is in effect.

**NRND:** Not recommended for new designs. Device is in production to support existing customers, but TI does not recommend using this part in a new design.

**PREVIEW:** Device has been announced but is not in production. Samples may or may not be available.

**OBSOLETE:** TI has discontinued the production of the device.

(2) Eco Plan - The planned eco-friendly classification: Pb-Free (RoHS), Pb-Free (RoHS Exempt), or Green (RoHS & no Sb/Br) - please check <http://www.ti.com/productcontent> for the latest availability information and additional product content details.

**TBD:** The Pb-Free/Green conversion plan has not been defined.

**Pb-Free (RoHS):** TI's terms "Lead-Free" or "Pb-Free" mean semiconductor products that are compatible with the current RoHS requirements for all 6 substances, including the requirement that lead not exceed 0.1% by weight in homogeneous materials. Where designed to be soldered at high temperatures, TI Pb-Free products are suitable for use in specified lead-free processes.

**Pb-Free (RoHS Exempt):** This component has a RoHS exemption for either 1) lead-based flip-chip solder bumps used between the die and package, or 2) lead-based die adhesive used between the die and leadframe. The component is otherwise considered Pb-Free (RoHS compatible) as defined above.

**Green (RoHS & no Sb/Br):** TI defines "Green" to mean Pb-Free (RoHS compatible), and free of Bromine (Br) and Antimony (Sb) based flame retardants (Br or Sb do not exceed 0.1% by weight in homogeneous material)

(3) MSL, Peak Temp. -- The Moisture Sensitivity Level rating according to the JEDEC industry standard classifications, and peak solder temperature.

(4) There may be additional marking, which relates to the logo, the lot trace code information, or the environmental category on the device.

(5) Multiple Device Markings will be inside parentheses. Only one Device Marking contained in parentheses and separated by a "~" will appear on a device. If a line is indented then it is a continuation of the previous line and the two combined represent the entire Device Marking for that device.

**Important Information and Disclaimer:** The information provided on this page represents TI's knowledge and belief as of the date that it is provided. TI bases its knowledge and belief on information provided by third parties, and makes no representation or warranty as to the accuracy of such information. Efforts are underway to better integrate information from third parties. TI has taken and

continues to take reasonable steps to provide representative and accurate information but may not have conducted destructive testing or chemical analysis on incoming materials and chemicals. TI and TI suppliers consider certain information to be proprietary, and thus CAS numbers and other limited information may not be available for release.

In no event shall TI's liability arising out of such information exceed the total purchase price of the TI part(s) at issue in this document sold by TI to Customer on an annual basis.

**TAPE AND REEL INFORMATION**

**QUADRANT ASSIGNMENTS FOR PIN 1 ORIENTATION IN TAPE**


\*All dimensions are nominal

Device	Package Type	Package Drawing	Pins	SPQ	Reel Diameter (mm)	Reel Width W1 (mm)	A0 (mm)	B0 (mm)	K0 (mm)	P1 (mm)	W (mm)	Pin1 Quadrant
BQ27421YZFR-G1B	DSBGA	YZF	9	3000	180.0	8.4	1.78	1.78	0.69	4.0	8.0	Q1
BQ27421YZFT-G1A	DSBGA	YZF	9	250	180.0	8.4	1.78	1.78	0.69	4.0	8.0	Q1

TAPE AND REEL BOX DIMENSIONS

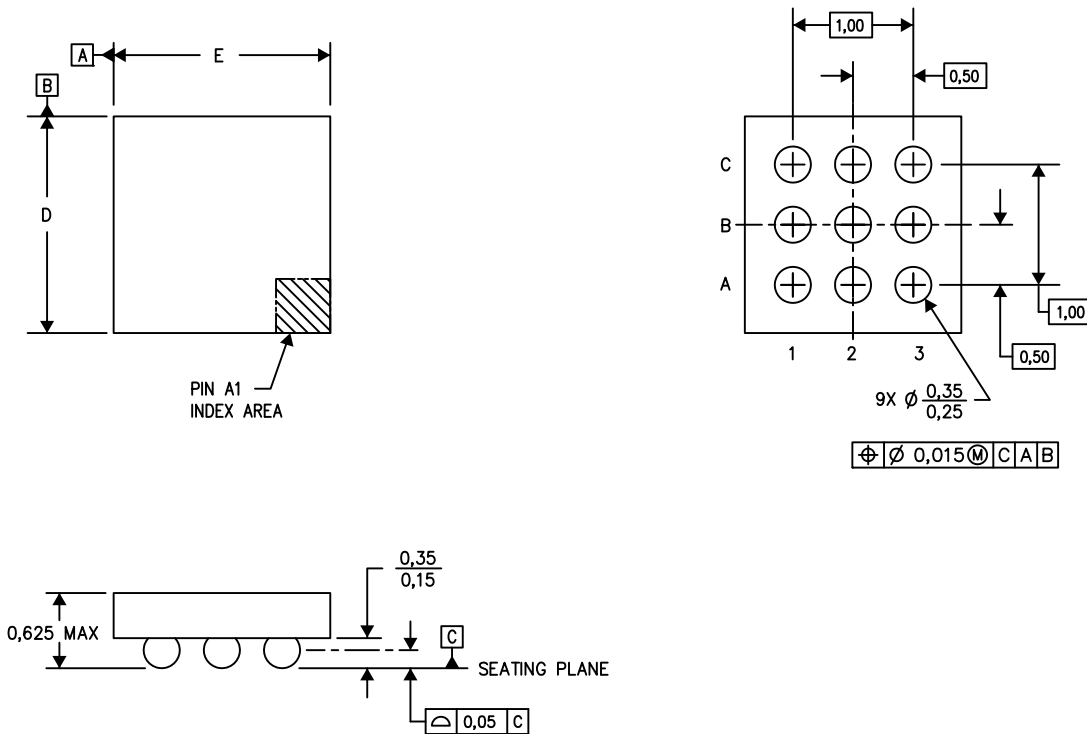


\*All dimensions are nominal

Device	Package Type	Package Drawing	Pins	SPQ	Length (mm)	Width (mm)	Height (mm)
BQ27421YZFR-G1B	DSBGA	YZF	9	3000	182.0	182.0	17.0
BQ27421YZFT-G1A	DSBGA	YZF	9	250	182.0	182.0	17.0

YZF (S-XBGA-N9)

DIE-SIZE BALL GRID ARRAY



D: Max = 1.651 mm, Min = 1.59 mm  
 E: Max = 1.61 mm, Min = 1.55 mm

4205058-4/P 07/13

- NOTES:
- A. All linear dimensions are in millimeters. Dimensioning and tolerancing per ASME Y14.5M-1994.
  - B. This drawing is subject to change without notice.
  - C. NanoFree™ package configuration.

NanoFree is a trademark of Texas Instruments.

## IMPORTANT NOTICE

Texas Instruments Incorporated and its subsidiaries (TI) reserve the right to make corrections, enhancements, improvements and other changes to its semiconductor products and services per JESD46, latest issue, and to discontinue any product or service per JESD48, latest issue. Buyers should obtain the latest relevant information before placing orders and should verify that such information is current and complete. All semiconductor products (also referred to herein as "components") are sold subject to TI's terms and conditions of sale supplied at the time of order acknowledgment.

TI warrants performance of its components to the specifications applicable at the time of sale, in accordance with the warranty in TI's terms and conditions of sale of semiconductor products. Testing and other quality control techniques are used to the extent TI deems necessary to support this warranty. Except where mandated by applicable law, testing of all parameters of each component is not necessarily performed.

TI assumes no liability for applications assistance or the design of Buyers' products. Buyers are responsible for their products and applications using TI components. To minimize the risks associated with Buyers' products and applications, Buyers should provide adequate design and operating safeguards.

TI does not warrant or represent that any license, either express or implied, is granted under any patent right, copyright, mask work right, or other intellectual property right relating to any combination, machine, or process in which TI components or services are used. Information published by TI regarding third-party products or services does not constitute a license to use such products or services or a warranty or endorsement thereof. Use of such information may require a license from a third party under the patents or other intellectual property of the third party, or a license from TI under the patents or other intellectual property of TI.

Reproduction of significant portions of TI information in TI data books or data sheets is permissible only if reproduction is without alteration and is accompanied by all associated warranties, conditions, limitations, and notices. TI is not responsible or liable for such altered documentation. Information of third parties may be subject to additional restrictions.

Resale of TI components or services with statements different from or beyond the parameters stated by TI for that component or service voids all express and any implied warranties for the associated TI component or service and is an unfair and deceptive business practice. TI is not responsible or liable for any such statements.

Buyer acknowledges and agrees that it is solely responsible for compliance with all legal, regulatory and safety-related requirements concerning its products, and any use of TI components in its applications, notwithstanding any applications-related information or support that may be provided by TI. Buyer represents and agrees that it has all the necessary expertise to create and implement safeguards which anticipate dangerous consequences of failures, monitor failures and their consequences, lessen the likelihood of failures that might cause harm and take appropriate remedial actions. Buyer will fully indemnify TI and its representatives against any damages arising out of the use of any TI components in safety-critical applications.

In some cases, TI components may be promoted specifically to facilitate safety-related applications. With such components, TI's goal is to help enable customers to design and create their own end-product solutions that meet applicable functional safety standards and requirements. Nonetheless, such components are subject to these terms.

No TI components are authorized for use in FDA Class III (or similar life-critical medical equipment) unless authorized officers of the parties have executed a special agreement specifically governing such use.

Only those TI components which TI has specifically designated as military grade or "enhanced plastic" are designed and intended for use in military/aerospace applications or environments. Buyer acknowledges and agrees that any military or aerospace use of TI components which have **not** been so designated is solely at the Buyer's risk, and that Buyer is solely responsible for compliance with all legal and regulatory requirements in connection with such use.

TI has specifically designated certain components as meeting ISO/TS16949 requirements, mainly for automotive use. In any case of use of non-designated products, TI will not be responsible for any failure to meet ISO/TS16949.

### Products

Audio	<a href="http://www.ti.com/audio">www.ti.com/audio</a>
Amplifiers	<a href="http://amplifier.ti.com">amplifier.ti.com</a>
Data Converters	<a href="http://dataconverter.ti.com">dataconverter.ti.com</a>
DLP® Products	<a href="http://www.dlp.com">www.dlp.com</a>
DSP	<a href="http://dsp.ti.com">dsp.ti.com</a>
Clocks and Timers	<a href="http://www.ti.com/clocks">www.ti.com/clocks</a>
Interface	<a href="http://interface.ti.com">interface.ti.com</a>
Logic	<a href="http://logic.ti.com">logic.ti.com</a>
Power Mgmt	<a href="http://power.ti.com">power.ti.com</a>
Microcontrollers	<a href="http://microcontroller.ti.com">microcontroller.ti.com</a>
RFID	<a href="http://www.ti-rfid.com">www.ti-rfid.com</a>
OMAP Applications Processors	<a href="http://www.ti.com/omap">www.ti.com/omap</a>
Wireless Connectivity	<a href="http://www.ti.com/wirelessconnectivity">www.ti.com/wirelessconnectivity</a>

### Applications

Automotive and Transportation	<a href="http://www.ti.com/automotive">www.ti.com/automotive</a>
Communications and Telecom	<a href="http://www.ti.com/communications">www.ti.com/communications</a>
Computers and Peripherals	<a href="http://www.ti.com/computers">www.ti.com/computers</a>
Consumer Electronics	<a href="http://www.ti.com/consumer-apps">www.ti.com/consumer-apps</a>
Energy and Lighting	<a href="http://www.ti.com/energy">www.ti.com/energy</a>
Industrial	<a href="http://www.ti.com/industrial">www.ti.com/industrial</a>
Medical	<a href="http://www.ti.com/medical">www.ti.com/medical</a>
Security	<a href="http://www.ti.com/security">www.ti.com/security</a>
Space, Avionics and Defense	<a href="http://www.ti.com/space-avionics-defense">www.ti.com/space-avionics-defense</a>
Video and Imaging	<a href="http://www.ti.com/video">www.ti.com/video</a>

### TI E2E Community

[e2e.ti.com](http://e2e.ti.com)