

## Low-Power, Serial 16-Bit Sampling ANALOG-TO-DIGITAL CONVERTER

### FEATURES

- 20 $\mu$ s max CONVERSION TIME
- SINGLE +5V SUPPLY OPERATION
- PIN-COMPATIBLE WITH 12-BIT ADS7812
- EASY-TO-USE SERIAL INTERFACE
- 0.3" DIP-16 AND SO-16
- $\pm 2.0$ LSB max INL
- 87dB min SINAD
- USES INTERNAL OR EXTERNAL REFERENCE
- MULTIPLE INPUT RANGES
- 35mW max POWER DISSIPATION
- NO MISSING CODES
- 50 $\mu$ W POWER DOWN MODE

### DESCRIPTION

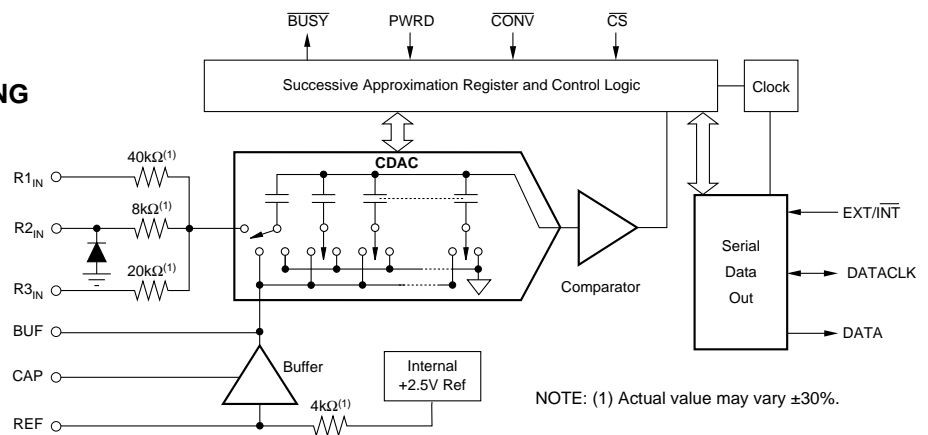
The ADS7813 is a low-power, single +5V supply, 16-bit sampling analog-to-digital (A/D) converter. It contains a complete 16-bit capacitor-based SAR A/D with a sample/hold, clock, reference, and serial data interface.

The converter can be configured for a variety of input ranges including  $\pm 10$ V,  $\pm 5$ V, 0V to 10V, and 0.5V to 4.5V. A high impedance 0.3V to 2.8V input range is also available (input impedance  $> 10$ M $\Omega$ ). For most input ranges, the input voltage can swing to +16.5V or -16.5V without damage to the converter.

A flexible SPI-compatible serial interface allows data to be synchronized to an internal or external clock. The ADS7813 is specified at a 40kHz sampling rate over the -40°C to +85°C temperature range. It is available in a 0.3" DIP-16 or an SO-16 package.

### APPLICATIONS

- MEDICAL INSTRUMENTATION
- DATA ACQUISITION SYSTEMS
- ROBOTICS
- INDUSTRIAL CONTROL
- TEST EQUIPMENT
- DIGITAL SIGNAL PROCESSING
- DSP SERVO CONTROL



Please be aware that an important notice concerning availability, standard warranty, and use in critical applications of Texas Instruments semiconductor products and disclaimers thereto appears at the end of this data sheet.

All trademarks are the property of their respective owners.

## ABSOLUTE MAXIMUM RATINGS<sup>(1)</sup>

|   |                                     |
|---|-------------------------------------|
| Analog Inputs: R1 <sub>IN</sub> .....   | ±16.5V                              |
| R2 <sub>IN</sub> .....                  | GND – 0.3V to +16.5V                |
| R3 <sub>IN</sub> .....                  | ±16.5V                              |
| REF .....                               | GND – 0.3V to V <sub>S</sub> + 0.3V |
| CAP .....                               | Indefinite Short to GND             |
|   | Momentary Short to V <sub>S</sub>   |
| V <sub>S</sub> .....                    | 7V                                  |
| Digital Inputs .....                    | GND – 0.3V to V <sub>S</sub> + 0.3V |
| Maximum Junction Temperature .....      | +165°C                              |
| Internal Power Dissipation .....        | 825mW                               |
| Lead Temperature (soldering, 10s) ..... | +300°C                              |

NOTE: (1) Stresses above these ratings may cause permanent damage. Exposure to absolute maximum conditions for extended periods may degrade device reliability.



## ELECTROSTATIC DISCHARGE SENSITIVITY

This integrated circuit can be damaged by ESD. Texas Instruments recommends that all integrated circuits be handled with appropriate precautions. Failure to observe proper handling and installation procedures can cause damage.

ESD damage can range from subtle performance degradation to complete device failure. Precision integrated circuits may be more susceptible to damage because very small parametric changes could cause the device not to meet its published specifications.

## PACKAGE/ORDERING INFORMATION<sup>(1)</sup>

| PRODUCT   | MAXIMUM INTEGRAL LINEARITY ERROR (LSB) | SPECIFIED NO MISSING CODE LEVEL (LSB) | MINIMUM SIGNAL-TO-(NOISE + DISTORTION) RATIO (DB) | PACKAGE-LEAD | PACKAGE DESIGNATOR | SPECIFIED TEMPERATURE RANGE | PACKAGE MARKING | ORDERING NUMBER | TRANSPORT MEDIA, QUANTITY |
|-----------|--|---------------------------------------|---|--------------|--------------------|-----------------------------|-----------------|-----------------|---------------------------|
| ADS7813P  | ±3                                     | 15                                    | 85  | Dip-16       | N                  | –40°C to +85°C              | ADS7813P        | ADS7813P        | Tubes, 25                 |
| ADS7813PB | ±2                                     | 16                                    | 87  | "            | "                  | "                           | ADS7813PB       | ADS7813PB       | Tubes, 25                 |
| ADS7813U  | ±3                                     | 15                                    | 85  | SO-16        | DW                 | –40°C to +85°C              | ADS7813U        | ADS7813U        | Tubes, 48                 |
| "         | "                                      | "                                     | "   | "            | "                  | "                           | "               | ADS7813U/1K     | Tape and Reel, 1000       |
| ADS7813UB | ±2                                     | 16                                    | 87  | SO-16        | DW                 | –40°C to +85°C              | ADS7813UB       | ADS7813UB       | Tubes, 48                 |
| "         | "                                      | "                                     | "   | "            | "                  | "                           | "               | ADS7813UB/1K    | Tape and Reel, 1000       |

NOTE: (1) For the most current package and ordering information, see the Package Option Addendum at the end of this data sheet, or see the TI web site at [www.ti.com](http://www.ti.com).

## ELECTRICAL CHARACTERISTICS

At T<sub>A</sub> = –40°C to +85°C, f<sub>S</sub> = 40kHz, V<sub>S</sub> = +5V ±5%, using internal reference, unless otherwise specified.

| PARAMETER  | CONDITIONS                              | ADS7813P, U |             |        | ADS7813PB, UB |      |        | UNITS              |
|--|---|-------------|-------------|--------|---------------|------|--------|--------------------|
|  |   | MIN         | TYP         | MAX    | MIN           | TYP  | MAX    |                    |
| <b>RESOLUTION</b>  |   |             |             | 16     |               |      | *      | Bits               |
| <b>ANALOG INPUT</b>  |   |             |             |        |               |      |        |                    |
| Voltage Range  |   |             | See Table I |        |               | *    |        |                    |
| Impedance  |   |             | See Table I |        |               | *    |        |                    |
| Capacitance  |   |             | 35          |        |               | *    |        | pF                 |
| <b>THROUGHPUT SPEED</b>  |   |             |             |        |               |      |        |                    |
| Conversion Time  |   |             |             | 20     |               |      | *      | µs                 |
| Complete Cycle   | Acquire and Convert                     |             |             | 25     |               |      | *      | µs                 |
| Throughput Rate  |   | 40          |             |        | *             |      |        | kHz                |
| <b>DC ACCURACY</b>   |   |             |             |        |               |      |        |                    |
| Integral Linearity Error                                       |   |             |             | ±3     |               | *    | ±2     | LSB <sup>(1)</sup> |
| Differential Linearity Error                                   |   |             |             | +3, –2 |               | *    | +2, –1 | LSB                |
| No Missing Codes   |   | 15          |             |        | 16            | *    |        | Bits               |
| Transition Noise <sup>(2)</sup>                                |   |             | 0.6         |        |               | *    |        | LSB                |
| Full Scale Error <sup>(3)</sup>                                |   |             |             | ±0.5   |               | *    | ±0.25  | %                  |
| Full Scale Error Drift   |   |             | ±14         |        |               | *    |        | ppm/°C             |
| Full Scale Error <sup>(3)</sup>                                | Ext. 2.5000V Ref                        |             |             | ±0.5   |               | *    | ±0.25  | %                  |
| Full Scale Error Drift   | Ext. 2.5000V Ref                        |             | ±5          |        |               | *    |        | ppm/°C             |
| Bipolar Zero Error   | Bipolar Ranges                          |             |             | ±10    |               | *    | *      | mV                 |
| Bipolar Zero Error Drift                                       | Bipolar Ranges                          |             | ±3          |        |               | *    | *      | ppm/°C             |
| Unipolar Zero Error  | Unipolar Ranges                         |             |             | ±6     |               | *    | *      | mV                 |
| Unipolar Zero Error Drift                                      | Unipolar Ranges                         |             | ±3          |        |               | *    | *      | ppm/°C             |
| Recovery Time to Rated Accuracy from Power Down <sup>(4)</sup> | 1.0µF Capacitor to CAP                  |             | 300         |        |               | *    |        | µs                 |
| Power Supply Sensitivity                                       | +4.75V < (V <sub>S</sub> = +5V) < +5.25 |             |             | ±12    |               | *    | *      | LSB                |
| <b>AC ACCURACY</b>   |   |             |             |        |               |      |        |                    |
| Spurious-Free Dynamic Range                                    | f <sub>IN</sub> = 1kHz                  | 90          | 100         |        | 96            | 102  |        | dB <sup>(5)</sup>  |
| Total Harmonic Distortion                                      | f <sub>IN</sub> = 1kHz                  |             | –98         | –90    |               | –100 | –96    | dB                 |
| Signal-to-(Noise+Distortion)                                   | f <sub>IN</sub> = 1kHz                  |             | 89          |        | 87            | *    |        | dB                 |
| Signal-to-Noise  | f <sub>IN</sub> = 1kHz                  | 85          | 89          |        | 87            | *    |        | dB                 |
| Useable Bandwidth <sup>(6)</sup>                               |   |             | 130         |        |               | *    |        | kHz                |
| Full Power –3dB Bandwidth                                      |   |             | 600         |        |               | *    |        | kHz                |

# ELECTRICAL CHARACTERISTICS (Cont.)

At  $T_A = -40^\circ\text{C}$  to  $+85^\circ\text{C}$ ,  $f_S = 40\text{kHz}$ ,  $V_S = +5\text{V} \pm 5\%$ , using internal reference, unless otherwise specified.

| PARAMETER   | CONDITIONS  | ADS7813P, U |                                   |         | ADS7813PB, UB       |     |     | UNITS                 |                  |
|---|---|-------------|-----------------------------------|---------|---------------------|-----|-----|-----------------------|------------------|
|   |   | MIN         | TYP                               | MAX     | MIN                 | TYP | MAX |                       |                  |
| <b>SAMPLING DYNAMICS</b><br>Aperture Delay<br>Aperture Jitter<br>Transient Response<br>Overshoot Recovery <sup>(7)</sup>  | FS Step   |             | 40                                |         |                     | *   |     | ns                    |                  |
|   |   |             | 20                                |         |                     | *   |     | ps                    |                  |
|   |   |             |                                   | 5       |                     |     | *   | $\mu\text{s}$         |                  |
|   |   |             |                                   | 750     |                     |     | *   | ns                    |                  |
| <b>REFERENCE</b><br>Internal Reference Voltage<br>Internal Reference Source Current<br>Internal Reference Drift<br>External Reference Voltage Range<br>External Reference Current Drain<br>CAP Compensation Capacitors ESR <sup>(8)</sup> | $V_{REF} = +2.5\text{V}$  | 2.48        | 2.5                               | 2.52    | *                   | *   | *   | V                     |                  |
|   |   |             |                                   | 100     |                     | *   | *   | $\mu\text{A}$         |                  |
|   |   |             |                                   | 8       |                     | *   | *   | ppm/ $^\circ\text{C}$ |                  |
|   |   |             | 2.3                               | 2.5     | 2.7                 | *   | *   | V                     |                  |
|   |   |             |                                   |         | 100                 |     | *   | $\mu\text{A}$         |                  |
|   |   |             |                                   |         | 3                   |     | *   | $\Omega$              |                  |
| <b>DIGITAL INPUTS</b><br>Logic Levels<br>$V_{IL}$<br>$V_{IH}$ <sup>(9)</sup><br>$I_{IL}$<br>$I_{IH}$  |   | -0.3        |                                   | +0.8    | *                   |     | *   | V                     |                  |
|   |   |             | +2.0                              |         | $V_S + 0.3\text{V}$ | *   |     | *                     | V                |
|   |   |             |                                   |         | $\pm 10$            |     |     | *                     | $\mu\text{A}$    |
|   |   |             |                                   |         | $\pm 10$            |     |     | *                     | $\mu\text{A}$    |
|   |   |             |                                   |         |                     |     |     | *                     | $\mu\text{A}$    |
| <b>DIGITAL OUTPUTS</b><br>Data Format<br>Data Coding<br>$V_{OL}$<br>$V_{OH}$<br>Leakage Current<br>Output Capacitance   | $I_{SINK} = 1.6\text{mA}$<br>$I_{SOURCE} = 500\mu\text{A}$<br>High-Z State,<br>$V_{OUT} = 0\text{V}$ to $V_S$<br>High-Z State | +4          | Serial<br>Binary Two's Complement |         |                     |     |     |                       |                  |
|   |   |             |                                   | +0.4    | *                   |     | *   | V                     |                  |
|   |   |             |                                   | $\pm 1$ |                     |     | *   | V                     |                  |
|   |   |             |                                   | 15      |                     |     |     | $\mu\text{A}$         |                  |
|   |   |             |                                   | 15      |                     |     | 15  | pF                    |                  |
| <b>POWER SUPPLY</b><br>$V_S$<br>Power Dissipation   | $f_S = 40\text{kHz}$  | +4.75       | +5                                | +5.25   | *                   | *   | *   | V                     |                  |
|   |   |             |                                   |         | 35                  |     | *   | *                     | mW               |
| <b>TEMPERATURE RANGE</b><br>Specified Performance<br>Derated Performance  |   | -40         |                                   | +85     | *                   |     | *   | $^\circ\text{C}$      |                  |
|   |   |             | -55                               |         | +125                | *   |     | *                     | $^\circ\text{C}$ |

\* Same specification as grade to the left.

NOTES: (1) LSB means Least Significant Bit. For the  $\pm 10\text{V}$  input range, one LSB is  $305\mu\text{V}$ .

(2) Typical rms noise at worst case transitions and temperatures.

(3) Full scale error is the worst case of -Full Scale or +Full Scale untrimmed deviation from ideal first and last code transitions, divided by the transition voltage (not divided by the full-scale range) and includes the effect of offset error.

(4) After the ADS7813 is initially powered on and fully settles, this is the time delay after it is brought out of Power Down Mode until all internal settling occurs and the analog input is acquired to rated accuracy, and normal conversions can begin again.

(5) All specifications in dB are referred to a full-scale input.

(6) Useable Bandwidth defined as Full-Scale input frequency at which Signal-to-(Noise+Distortion) degrades to 60dB, or 10 bits of accuracy.

(7) Recovers to specified performance after 2 x FS input overvoltage.

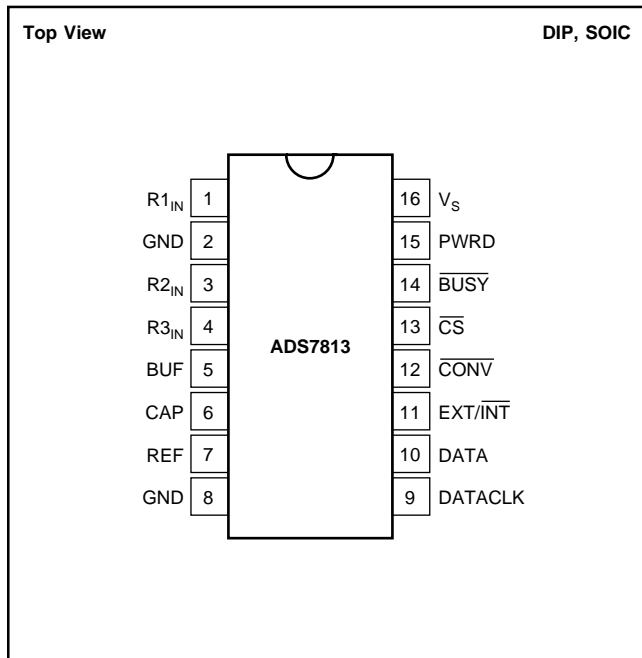
(8) ESR = total equivalent series resistance for the compensation capacitors.

(9) The minimum  $V_{IH}$  level for the DATACLK signal is 3V.

## PIN CONFIGURATION

| PIN # | NAME             | DESCRIPTION   |
|-------|------------------|---|
| 1     | R1 <sub>IN</sub> | Analog Input. See Tables I and IV.  |
| 2     | GND              | Ground  |
| 3     | R2 <sub>IN</sub> | Analog Input. See Tables I and IV.  |
| 4     | R3 <sub>IN</sub> | Analog Input. See Tables I and IV.  |
| 5     | BUF              | Reference Buffer Output. Connect to R1 <sub>IN</sub> , R2 <sub>IN</sub> , or R3 <sub>IN</sub> , as needed.  |
| 6     | CAP              | Reference Buffer Compensation Node. Decouple to ground with a 1μF tantalum capacitor in parallel with a 0.01μF ceramic capacitor.   |
| 7     | REF              | Reference Input/Output. Outputs internal +2.5V reference via a series 4kΩ resistor. Decouple this voltage with a 1μF to 2.2μF tantalum capacitor to ground. If an external reference voltage is applied to this pin, it will override the internal reference.   |
| 8     | GND              | Ground  |
| 9     | DATACLK          | Data Clock Pin. With EXT/INT LOW, this pin is an output and provides the synchronous clock for the serial data. The output is tri-stated when CS is HIGH. With EXT/INT HIGH, this pin is an input and the serial data clock must be provided externally.  |
| 10    | DATA             | Serial Data Output. The serial data is always the result of the last completed conversion and is synchronized to DATACLK. If DATACLK is from the internal clock (EXT/INT LOW), the serial data is valid on both the rising and falling edges of DATACLK. DATA is tri-stated when CS is HIGH.  |
| 11    | EXT/INT          | External or Internal DATACLK Pin. Selects the source of the synchronous clock for serial data. If HIGH, the clock must be provided externally. If LOW, the clock is derived from the internal conversion clock. Note that the clock used to time the conversion is always internal regardless of the status of EXT/INT.   |
| 12    | CONV             | Convert Input. A falling edge on this input puts the internal sample/hold into the hold state and starts a conversion regardless of the state of CS. If a conversion is already in progress, the falling edge is ignored. If EXT/INT is LOW, data from the previous conversion will be serially transmitted during the current conversion.  |
| 13    | CS               | Chip Select. This input tri-states all outputs when HIGH and enables all outputs when LOW. This includes DATA, BUSY, and DATACLK (when EXT/INT is LOW). Note that a falling edge on CONV will initiate a conversion even when CS is HIGH.   |
| 14    | BUSY             | Busy Output. When a conversion is started, BUSY goes LOW and remains LOW throughout the conversion. If EXT/INT is LOW, data is serially transmitted while BUSY is LOW. BUSY is tri-stated when CS is HIGH.  |
| 15    | PWRD             | Power Down Input. When HIGH, the majority of the ADS7813 is placed in a low power mode and power consumption is significantly reduced. CONV must be taken LOW prior to PWRD going LOW in order to achieve the lowest power consumption. The time required for the ADS7813 to return to normal operation after power down depends on a number of factors. Consult the Power Down section for more information. |
| 16    | V <sub>S</sub>   | +5V Supply Input. For best performance, decouple to ground with a 0.1μF ceramic capacitor in parallel with a 10μF tantalum capacitor.   |

## PIN CONFIGURATION

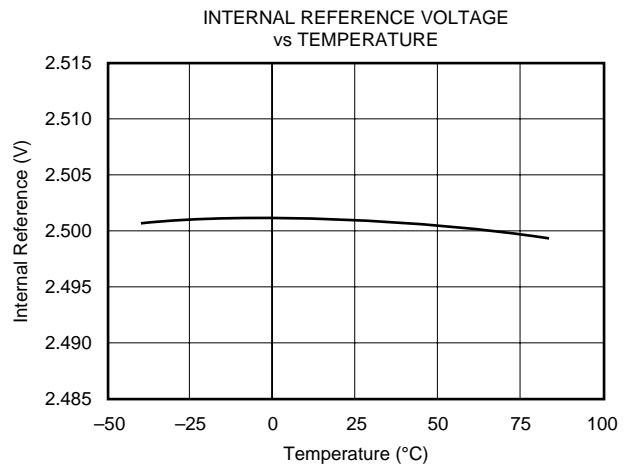
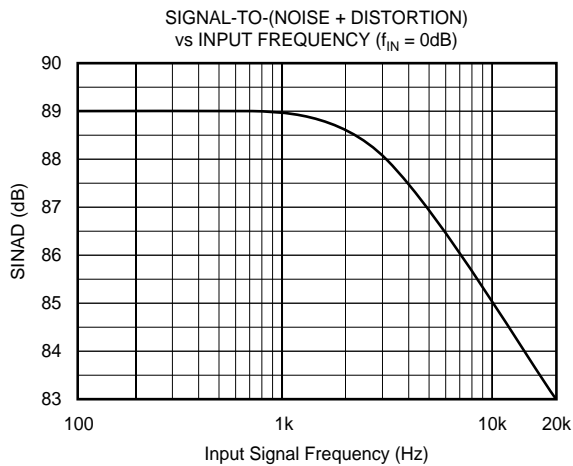
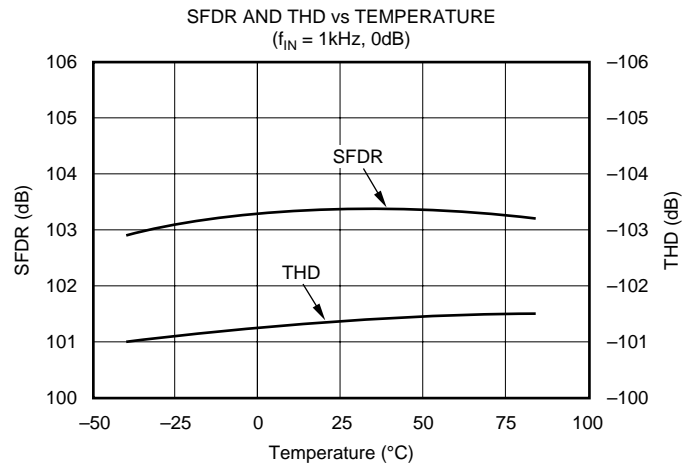
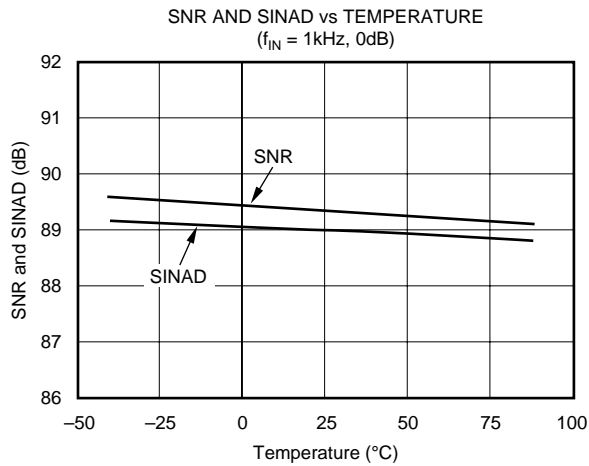
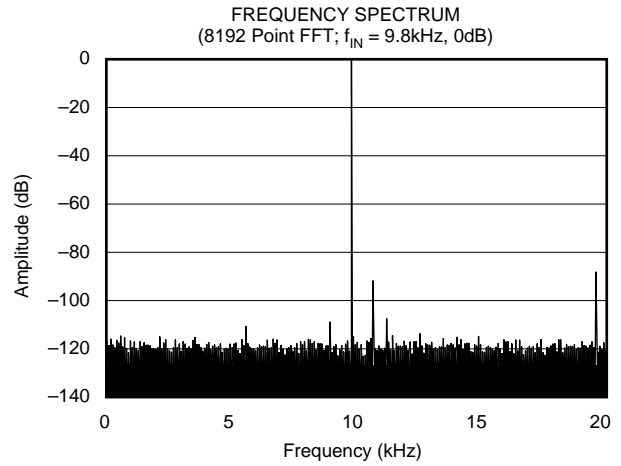
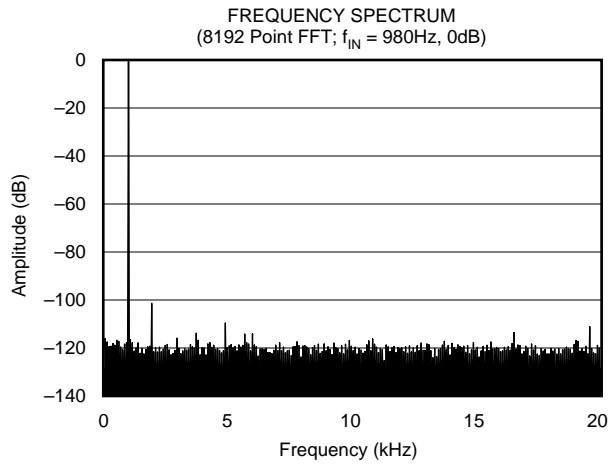


| ANALOG INPUT RANGE (V) | CONNECT R1 <sub>IN</sub> TO | CONNECT R2 <sub>IN</sub> TO | CONNECT R3 <sub>IN</sub> TO | INPUT IMPEDANCE (kΩ) |
|------------------------|-----------------------------|-----------------------------|-----------------------------|----------------------|
| ±10V                   | V <sub>IN</sub>             | BUF                         | GND                         | 45.7                 |
| 0.3125V to 2.8125V     | V <sub>IN</sub>             | V <sub>IN</sub>             | V <sub>IN</sub>             | > 10,000             |
| ±5V                    | GND                         | BUF                         | V <sub>IN</sub>             | 26.7                 |
| 0V to 10V              | BUF                         | GND                         | V <sub>IN</sub>             | 26.7                 |
| 0V to 4V               | BUF                         | V <sub>IN</sub>             | GND                         | 21.3                 |
| ±3.33V                 | V <sub>IN</sub>             | BUF                         | V <sub>IN</sub>             | 21.3                 |
| 0.5V to 4.5V           | GND                         | V <sub>IN</sub>             | GND                         | 21.3                 |

TABLE I. ADS7813 Input Ranges.

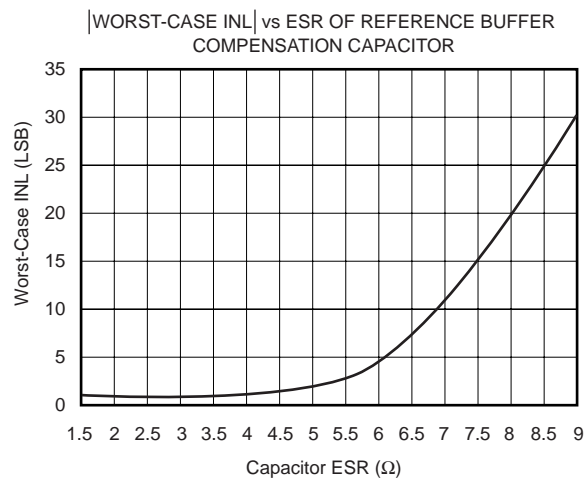
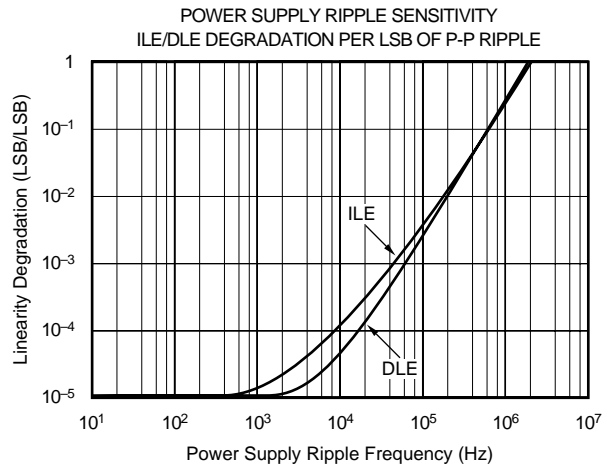
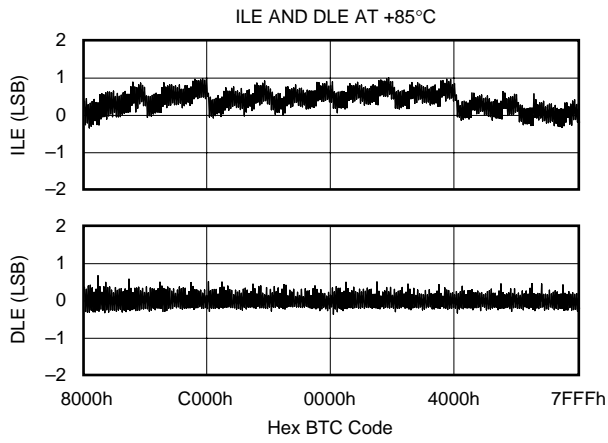
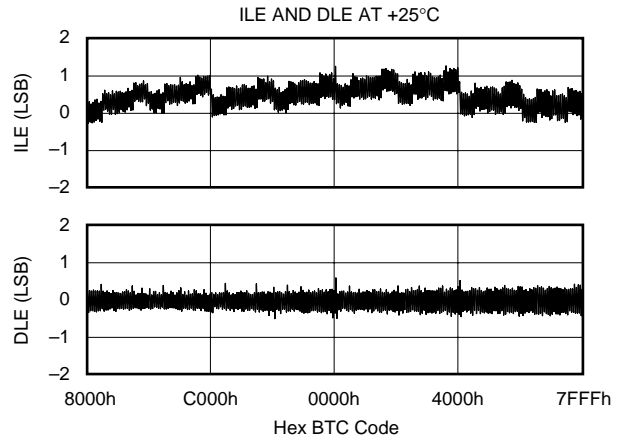
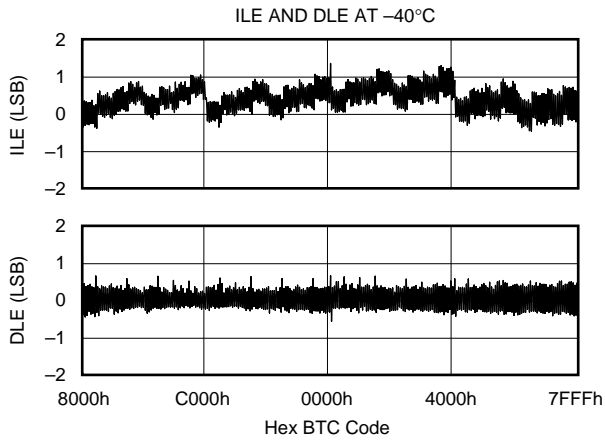
# TYPICAL PERFORMANCE CURVES

At  $T_A = +25^\circ\text{C}$ ,  $f_s = 40\text{kHz}$ ,  $V_S = +5\text{V}$ ,  $\pm 10\text{V}$  input range, using internal reference, unless otherwise noted.



# TYPICAL PERFORMANCE CURVES (Cont.)

At  $T_A = +25^\circ\text{C}$ ,  $f_S = 40\text{kHz}$ ,  $V_S = +5\text{V}$ ,  $\pm 10\text{V}$  input range, using internal reference, unless otherwise noted.



# BASIC OPERATION

## INTERNAL DATACLK

Figure 1a shows a basic circuit to operate the ADS7813 with a  $\pm 10\text{V}$  input range. To begin a conversion and serial transmission of the results from the previous conversion, a falling edge must be provided to the CONV input. **BUSY** will go LOW indicating that a conversion has started and will stay LOW until the conversion is complete. During the conversion, the results of the previous conversion will be transmitted via DATA while DATACLK provides the synchronous clock for the serial data. The data format is 16-bit, Binary Two's Complement, and MSB first. Each data bit is valid on both the rising and falling edge of DATACLK. **BUSY** is LOW during the entire serial transmission and can be used as a frame synchronization signal.

## EXTERNAL DATACLK

Figure 1b shows a basic circuit to operate the ADS7813 with a  $\pm 10\text{V}$  input range. To begin a conversion, a falling edge must be provided to the CONV input. **BUSY** will go LOW indicating that a conversion has started and will stay LOW until the conversion is complete. Just prior to **BUSY** rising near the end of the conversion, the internal working register holding the conversion result will be transferred to the internal shift register.

The internal shift register is clocked via the DATACLK input. The recommended method of reading the conversion result is to provide the serial clock after the conversion is completed. See External DATACLK under the Reading Data section of this data sheet for more information.

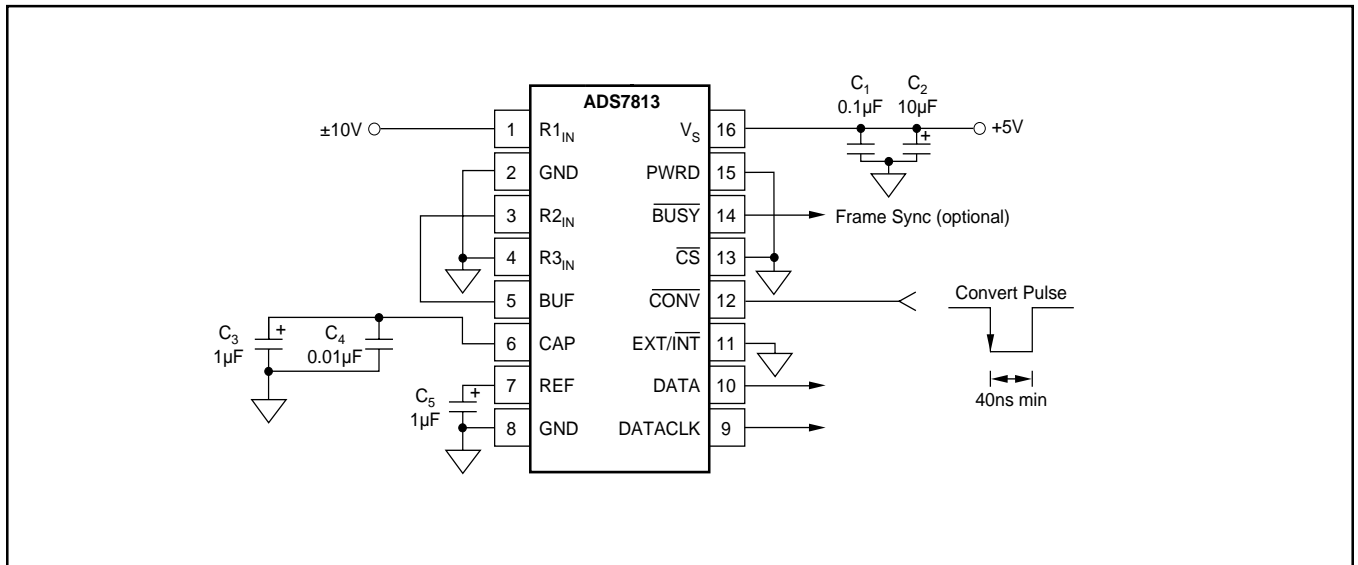


FIGURE 1a. Basic Operation,  $\pm 10\text{V}$  Input Range, Internal DATACLK.

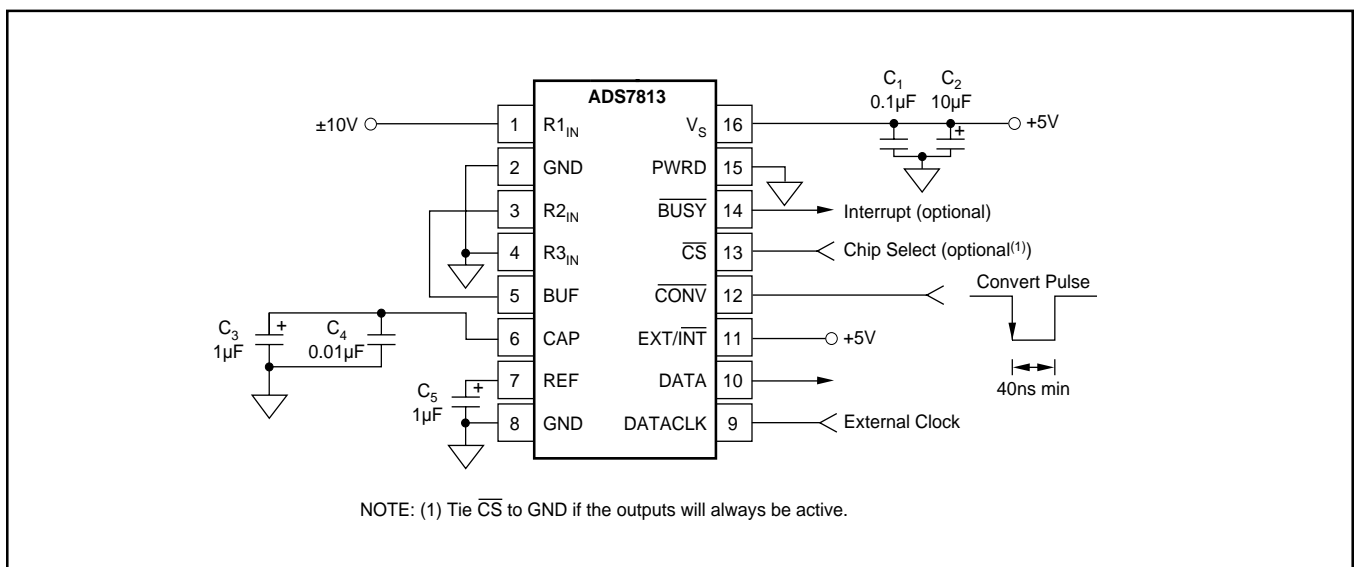


FIGURE 1b. Basic Operation,  $\pm 10\text{V}$  Input Range, External DATACLK.

| SYMBOL          | DESCRIPTION  | MIN | TYP | MAX | UNITS |
|-----------------|--|-----|-----|-----|-------|
| t <sub>1</sub>  | Conversion Plus Acquisition Time   |     |     | 25  | μs    |
| t <sub>2</sub>  | $\overline{\text{CONV}}$ LOW to All Digital Inputs Stable                              |     |     | 8   | μs    |
| t <sub>3</sub>  | $\overline{\text{CONV}}$ LOW to Initiate a Conversion                                  | 40  |     |     | ns    |
| t <sub>4</sub>  | $\overline{\text{BUSY}}$ Rising to Any Digital Input Active                            | 0   |     |     | ns    |
| t <sub>5</sub>  | $\overline{\text{CONV}}$ HIGH Prior to Start of Conversion                             | 2   |     |     | μs    |
| t <sub>6</sub>  | $\overline{\text{BUSY}}$ LOW   |     | 19  | 20  | μs    |
| t <sub>7</sub>  | $\overline{\text{CONV}}$ LOW to $\overline{\text{BUSY}}$ LOW                           |     | 85  | 120 | ns    |
| t <sub>8</sub>  | Aperture Delay   |     | 40  |     | ns    |
| t <sub>9</sub>  | Conversion Time  |     | 18  | 20  | μs    |
| t <sub>10</sub> | Conversion Complete to $\overline{\text{BUSY}}$ Rising                                 |     | 1.1 | 2   | μs    |
| t <sub>11</sub> | Acquisition Time   |     |     | 5   | μs    |
| t <sub>12</sub> | $\overline{\text{CONV}}$ LOW to Rising Edge of First DATACLK                           |     | 1.4 |     | μs    |
| t <sub>13</sub> | Internal DATACLK HIGH  | 250 | 350 | 500 | ns    |
| t <sub>14</sub> | Internal DATACLK LOW   | 600 | 760 | 875 | ns    |
| t <sub>15</sub> | Internal DATACLK Period  |     | 1.1 |     | μs    |
| t <sub>16</sub> | DATA Valid to Internal DATACLK Rising  | 20  |     |     | ns    |
| t <sub>17</sub> | Internal DATACLK Falling to DATA Not Valid   | 400 |     |     | ns    |
| t <sub>18</sub> | Falling Edge of Last DATACLK to $\overline{\text{BUSY}}$ Rising                        |     | 800 |     | ns    |
| t <sub>19</sub> | External DATACLK Rising to DATA Not Valid  | 15  |     |     | ns    |
| t <sub>20</sub> | External DATACLK Rising to DATA Valid  |     | 55  | 85  | ns    |
| t <sub>21</sub> | External DATACLK HIGH  | 50  |     |     | ns    |
| t <sub>22</sub> | External DATACLK LOW   | 50  |     |     | ns    |
| t <sub>23</sub> | External DATACLK Period  | 100 |     |     | ns    |
| t <sub>24</sub> | $\overline{\text{CONV}}$ LOW to External DATACLK Active                                | 100 |     |     | ns    |
| t <sub>25</sub> | External DATACLK LOW or $\overline{\text{CS}}$ HIGH to $\overline{\text{BUSY}}$ Rising | 2   |     |     | μs    |
| t <sub>26</sub> | $\overline{\text{CS}}$ LOW to Digital Outputs Enabled                                  | 85  |     |     | ns    |
| t <sub>27</sub> | $\overline{\text{CS}}$ HIGH to Digital Outputs Disabled                                | 85  |     |     | ns    |

## STARTING A CONVERSION

If a conversion is not currently in progress, a falling edge on the  $\overline{\text{CONV}}$  input places the sample and hold into the hold mode and begins a conversion, as shown in Figure 2 and with the timing given in Table II. During the conversion, the  $\overline{\text{CONV}}$  input is ignored. Starting a conversion does not depend on the state of  $\overline{\text{CS}}$ . A conversion can be started once every 25μs (40kHz maximum conversion rate). There is no minimum conversion rate.

Even though the  $\overline{\text{CONV}}$  input is ignored while a conversion is in progress, this input should be held static during the conversion period. Transitions on this digital input can easily couple into sensitive analog portions of the converter, adversely affecting the conversion results (see the Sensitivity to External Digital Signals section of this data sheet for more information).

Ideally, the  $\overline{\text{CONV}}$  input should go LOW and remain LOW throughout the conversion. It should return HIGH sometime after  $\overline{\text{BUSY}}$  goes HIGH. In addition, it should be HIGH prior to the start of the next conversion for a minimum time period given by t<sub>5</sub>. This will ensure that the digital transition on the  $\overline{\text{CONV}}$  input will not affect the signal that is acquired for the next conversion.

An acceptable alternative is to return the  $\overline{\text{CONV}}$  input HIGH as soon after the start of the conversion as possible. For example, a negative going pulse 100ns wide would make a good  $\overline{\text{CONV}}$  input signal. It is strongly recommended that from time t<sub>2</sub> after the start of a conversion until  $\overline{\text{BUSY}}$  rises, the  $\overline{\text{CONV}}$  input should be held static (either HIGH or LOW). During this time, the converter is more sensitive to external noise.

TABLE II. ADS7813 Timing. T<sub>A</sub> = -40°C to +85°C.

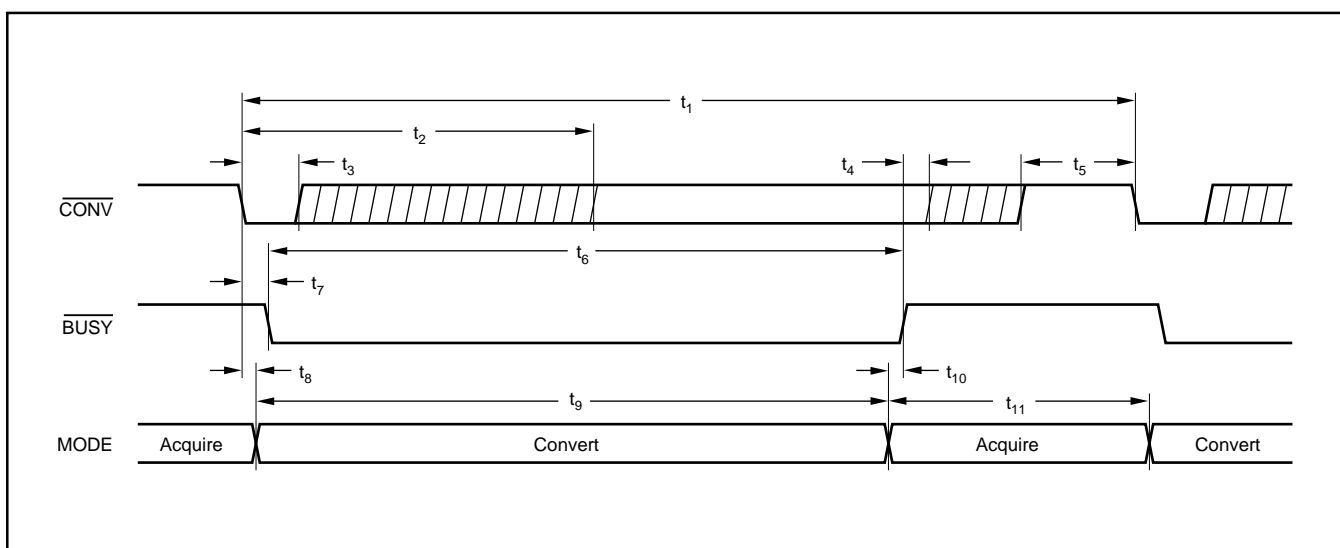


FIGURE 2. Basic Conversion Timing.



| DESCRIPTION       | ANALOG INPUT             |                            | DIGITAL OUTPUT          |          |
|-------------------|--------------------------|----------------------------|-------------------------|----------|
|                   | $\pm 10V$<br>305 $\mu V$ | 0.5V to 4.5V<br>61 $\mu V$ | BINARY TWO'S COMPLEMENT |          |
|                   |                          |                            | BINARY CODE             | HEX CODE |
| +Full Scale -1LSB | 9.999695V                | 4.499939V                  | 0111 1111 1111 1111     | 7FFF     |
| Midscale          | 0V                       | 2.5V                       | 0000 0000 0000 0000     | 0000     |
| Midscale -1LSB    | -305 $\mu V$             | 2.499939 $\mu V$           | 1111 1111 1111 1111     | FFFF     |
| -Full Scale       | -10V                     | 0.5V                       | 10000 0000 0000 0000    | 8000     |

TABLE III. Ideal Input Voltage and Corresponding Digital Output for Two Common Input Ranges.

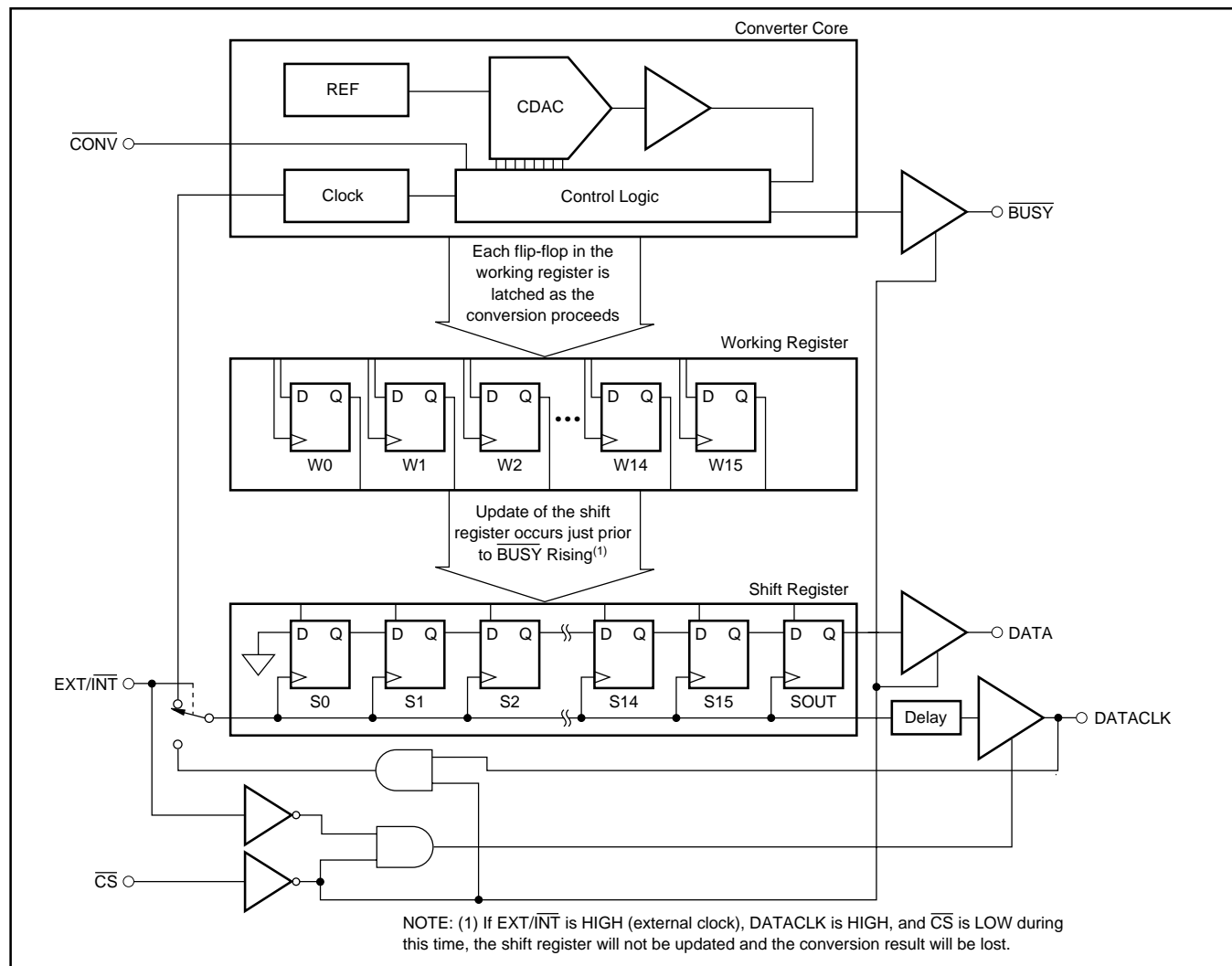


FIGURE 3. Block Diagram of the ADS7813's Digital Inputs and Outputs.

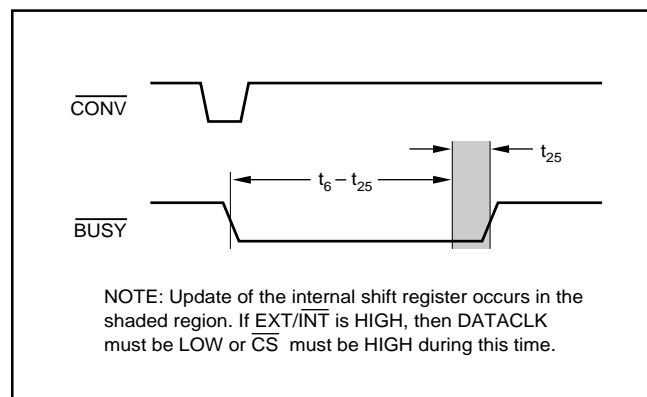


FIGURE 4. Timing of the Shift Register Update.

## READING DATA

The ADS7813 digital output is in Binary Two's Complement (BTC) format. Table III shows the relationship between the digital output word and the analog input voltage under ideal conditions.

Figure 3 shows the relationship between the various digital inputs, digital outputs, and internal logic of the ADS7813. Figure 4 shows when the internal shift register of the ADS7813 is updated and how this relates to a single conversion cycle. Together, these two figures point out a very important aspect of the ADS7813: the conversion result is not available until after the conversion is complete. The implications of this are discussed in the following sections.

## INTERNAL DATACLK

With  $\overline{\text{EXT/INT}}$  tied LOW, the result from conversion 'n' is serially transmitted during conversion 'n+1', as shown in Figure 5 and with the timing given in Table II. Serial transmission of data occurs only during a conversion. When a transmission is not in progress, DATA and DATACLK are LOW.

During the conversion, the results of the previous conversion will be transmitted via DATA, while DATACLK provides the synchronous clock for the serial data. The data format is 16-bit, Binary Two's Complement, and MSB first. Each data bit is valid on both the rising and falling edges of DATACLK. BUSY is LOW during the entire serial transmission and can be used as a frame synchronization signal.

## EXTERNAL DATACLK

With  $\overline{\text{EXT/INT}}$  tied HIGH, the result from conversion 'n' is clocked out after the conversion has completed, during the next conversion ('n+1'), or a combination of these two. Figure 6 shows the case of reading the conversion result after the conversion is complete. Figure 7 describes reading the result during the next conversion. Figure 8 combines the important aspects of Figures 6 and 7 as to reading part of the result after the conversion is complete and the remainder during the next conversion.

The serial transmission of the conversion result is initiated by a rising edge on DATACLK. The data format is 16-bit, Binary Two's Complement, and MSB first. Each data bit is valid on the falling edge of DATACLK. In some cases, it

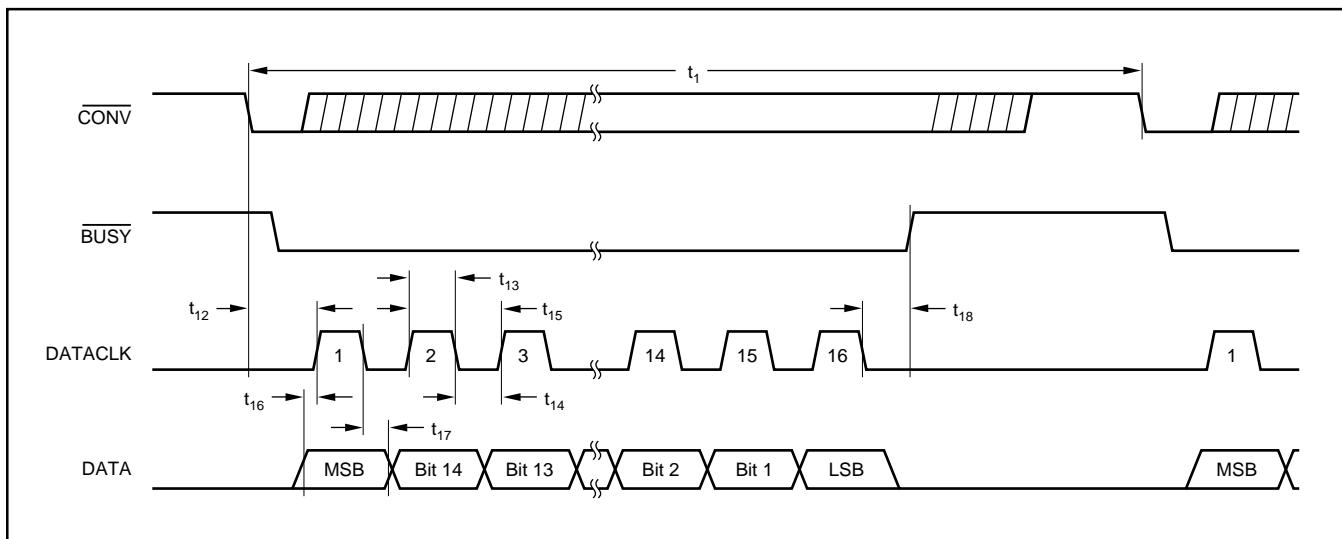


FIGURE 5. Serial Data Timing, Internal Clock ( $\overline{\text{EXT/INT}}$  and  $\overline{\text{CS}}$  LOW).

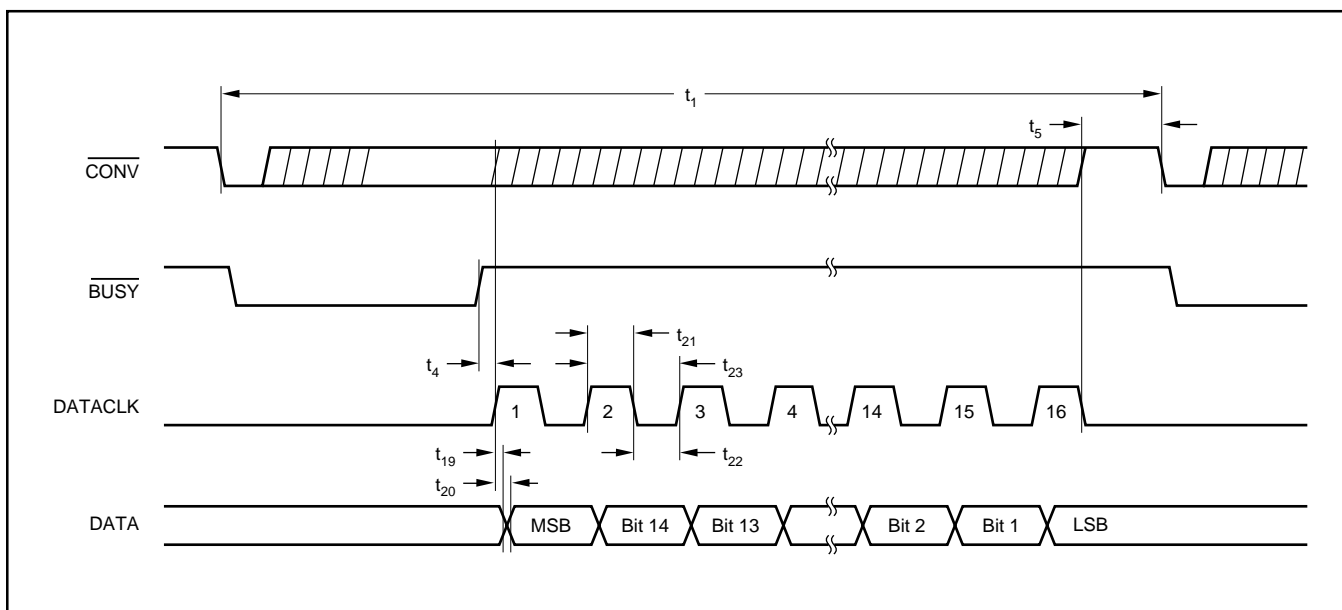


FIGURE 6. Serial Data Timing, External Clock, Clocking After the Conversion Completes ( $\overline{\text{EXT/INT}}$  HIGH,  $\overline{\text{CS}}$  LOW).

might be possible to use the rising edge of the DATACLK signal. However, one extra clock period (not shown in Figures 6, 7, and 8) is needed for the final bit.

The external DATACLK signal must be LOW or  $\overline{CS}$  must be HIGH prior to  $\overline{BUSY}$  rising (see time  $t_{25}$  in Figures 7 and 8). If this is not observed during this time, the output shift register of the ADS7813 will not be updated with the conversion result. Instead, the previous contents of the shift register will remain and the new result will be lost.

Before reading the next three paragraphs, consult the Sensitivity to External Digital Signals section of this data sheet. This will explain many of the concerns regarding how and when to apply the external DATACLK signal.

### External DATACLK Active After the Conversion

The preferred method of obtaining the conversion result is to provide the DATACLK signal after the conversion has been

completed and before the next conversion starts—as shown in Figure 6. Note that the DATACLK signal should be static before the start of the next conversion. If this is not observed, the DATACLK signal could affect the voltage that is acquired.

### External DATACLK Active During the Next Conversion

Another method of obtaining the conversion result is shown in Figure 7. Since the output shift register is not updated until the end of the conversion, the previous result remains valid during the next conversion. If a fast clock ( $\geq 2\text{MHz}$ ) can be provided to the ADS7813, the result can be read during time  $t_2$ . During this time, the noise from the DATACLK signal is less likely to affect the conversion result.

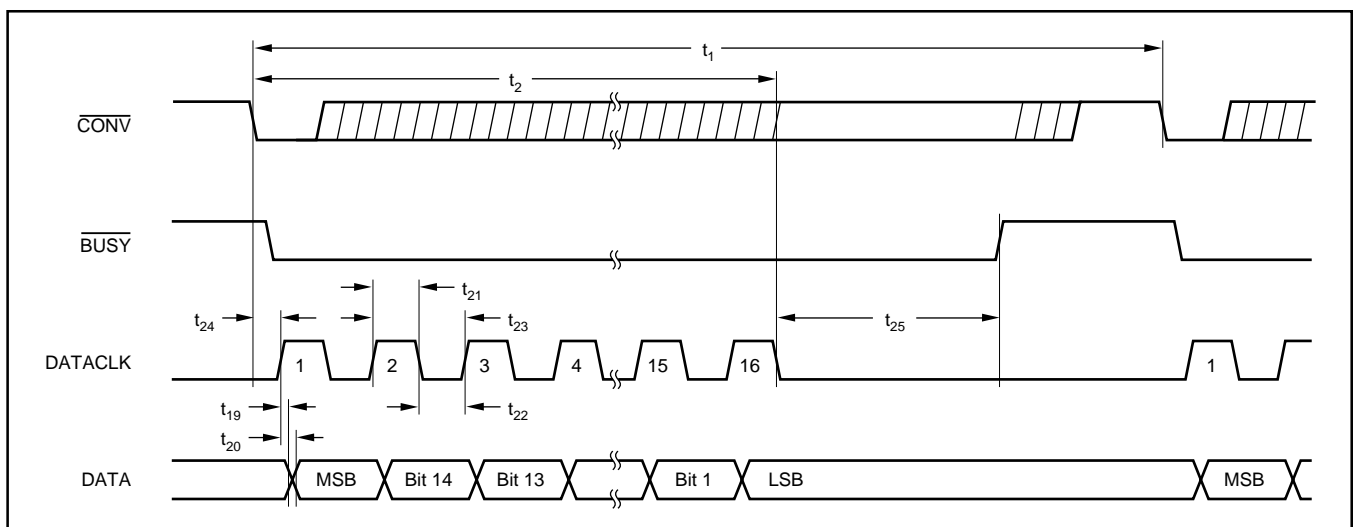


FIGURE 7. Serial Data Timing, External Clock, Clocking During the Next Conversion (EXT/INT HIGH,  $\overline{CS}$  LOW).

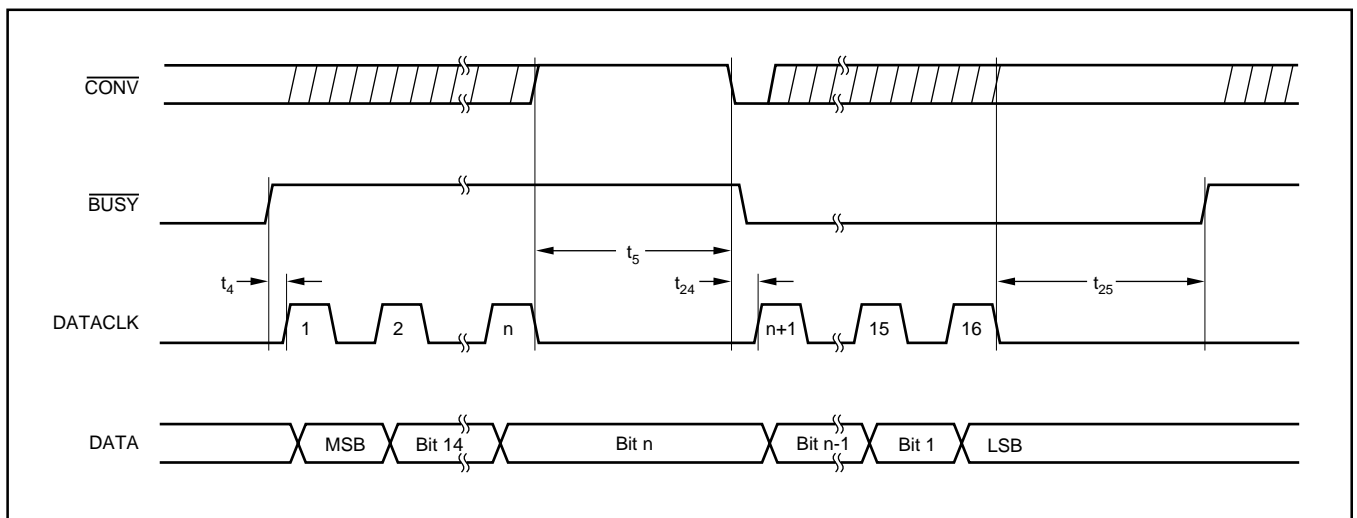


FIGURE 8. Serial Data Timing, External Clock, Clocking After the Conversion Completes and During the Next Conversion (EXT/INT HIGH,  $\overline{CS}$  LOW).

## External DATACLK Active After the Conversion and During the Next Conversion

Figure 8 shows a method that is a hybrid of the two previous approaches. This method works very well for microcontrollers that do serial transfers 8 bits at a time and for slower microcontrollers. For example, if the fastest serial clock that the microcontroller can produce is 1 $\mu$ s, the approach shown in Figure 6 would result in a diminished throughput (26kHz maximum conversion rate). The method described in Figure 7 could not be used without risk of affecting the conversion result (the clock would have to be active after time  $t_2$ ). The approach in Figure 8 results in an improved throughput rate (33kHz maximum with a 1 $\mu$ s clock) and DATACLK is not active after time  $t_2$ .

## COMPATIBILITY WITH THE ADS7812

The only difference between the ADS7812 and the ADS7813 is in the internal control logic and the digital interface. Since the ADS7812 is a 12-bit converter, the internal shift register is 12 bits wide. In addition, only 12-bit decisions are made during the conversion. Thus, the ADS7812's conversion time is approximately 75% of the ADS7813's.

In the internal DATACLK mode, the ADS7812 produces 12 DATACLK periods during the conversion instead of the ADS7813's 16 (see Figure 5). In the external DATACLK mode, the ADS7812 can accept 16 clock periods on DATACLK. At the start of the 13th clock cycle, the DATA output will go LOW and remain LOW. Thus, Figures 6, 7, 8, and the associated times in Table II can also be used for the ADS7812, but the last four bits of the conversion result will be zero.

## CHIP SELECT ( $\overline{CS}$ )

The  $\overline{CS}$  input allows the digital outputs of the ADS7813 to be disabled and gates the external DATACLK signal when EXT/ $\overline{INT}$  is HIGH. See Figure 9 for the enable and disable time associated with  $\overline{CS}$  and Figure 3 for a block diagram of the ADS7813's logic. The digital outputs can be disabled at any time.

Note that a conversion is initiated on the falling edge of CONV even if  $\overline{CS}$  is HIGH. If the EXT/ $\overline{INT}$  input is LOW (internal DATACLK) and  $\overline{CS}$  is HIGH during the entire conversion, the previous conversion result will be lost (the serial transmission occurs but DATA and DATACLK are disabled).

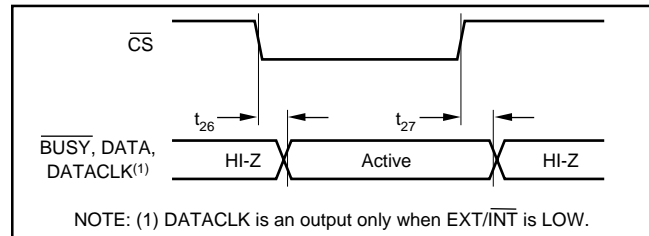


FIGURE 9. Enable and Disable Timing for Digital Outputs.

## ANALOG INPUT

The ADS7813 offers a number of input ranges. This is accomplished by connecting the three input resistors to either the analog input ( $V_{IN}$ ), to ground (GND), or to the 2.5V reference buffer output (BUF). Table I shows the input ranges that are typically used in most data acquisition applications. These ranges are all specified to meet the specifications given in the Specifications table. Table IV contains a complete list of ideal input ranges, associated input connections, and comments regarding the range.

| ANALOG INPUT RANGE (V) | CONNECT R <sub>1IN</sub> TO | CONNECT R <sub>2IN</sub> TO | CONNECT R <sub>3IN</sub> TO | INPUT IMPEDANCE (k $\Omega$ ) | COMMENT                             |
|------------------------|-----------------------------|-----------------------------|-----------------------------|-------------------------------|-------------------------------------|
| 0.3125 to 2.8125       | $V_{IN}$                    | $V_{IN}$                    | $V_{IN}$                    | > 10,000                      | Specified offset and gain           |
| -0.417 to 2.916        | $V_{IN}$                    | $V_{IN}$                    | BUF                         | 26.7                          | $V_{IN}$ cannot go below GND - 0.3V |
| 0.417 to 3.750         | $V_{IN}$                    | $V_{IN}$                    | GND                         | 26.7                          | Offset and gain not specified       |
| $\pm 3.333$            | $V_{IN}$                    | BUF                         | $V_{IN}$                    | 21.3                          | Specified offset and gain           |
| -15 to 5               | $V_{IN}$                    | BUF                         | BUF                         | 45.7                          | Offset and gain not specified       |
| $\pm 10$               | $V_{IN}$                    | BUF                         | GND                         | 45.7                          | Specified offset and gain           |
| 0.833 to 7.5           | $V_{IN}$                    | GND                         | $V_{IN}$                    | 21.3                          | Offset and gain not specified       |
| -2.5 to 17.5           | $V_{IN}$                    | GND                         | BUF                         | 45.7                          | Exceeds absolute maximum $V_{IN}$   |
| 2.5 to 22.5            | $V_{IN}$                    | GND                         | GND                         | 45.7                          | Exceeds absolute maximum $V_{IN}$   |
| 0 to 2.857             | BUF                         | $V_{IN}$                    | $V_{IN}$                    | 45.7                          | Offset and gain not specified       |
| -1 to 3                | BUF                         | $V_{IN}$                    | BUF                         | 21.3                          | $V_{IN}$ cannot go below GND - 0.3V |
| 0 to 4                 | BUF                         | $V_{IN}$                    | GND                         | 21.3                          | Specified offset and gain           |
| -6.25 to 3.75          | BUF                         | BUF                         | $V_{IN}$                    | 26.7                          | Offset and gain not specified       |
| 0 to 10                | BUF                         | GND                         | $V_{IN}$                    | 26.7                          | Specified offset and gain           |
| 0.357 to 3.214         | GND                         | $V_{IN}$                    | $V_{IN}$                    | 45.7                          | Offset and gain not specified       |
| -0.5 to 3.5            | GND                         | $V_{IN}$                    | BUF                         | 21.3                          | $V_{IN}$ cannot go below GND - 0.3V |
| 0.5 to 4.5             | GND                         | $V_{IN}$                    | GND                         | 21.3                          | Specified offset and gain           |
| $\pm 5$                | GND                         | BUF                         | $V_{IN}$                    | 26.7                          | Specified offset and gain           |
| 1.25 to 11.25          | GND                         | GND                         | $V_{IN}$                    | 26.7                          | Offset and gain not specified       |

TABLE IV. Complete List of Ideal Input Ranges.

The input impedance results from the various connections and the internal resistor values (refer to the block diagram on the front page of this data sheet). The internal resistor values are typical and can change by  $\pm 30\%$ , due to process variations. However, the ratio matching of the resistors is considerably better than this. Thus, the input range will vary only a few tenths of a percent from part to part, while the input impedance can vary up to  $\pm 30\%$ .

The Specifications table contains the maximum limits for the variation of the analog input range, but only for those ranges where the comment field shows that the offset and gain are specified (this includes all the ranges listed in Table I). For the other ranges, the offset and gain are not tested and are not specified.

Five of the input ranges in Table IV are not recommended for general use. The upper-end of the  $-2.5\text{V}$  to  $+17.5\text{V}$  range and  $+2.5\text{V}$  to  $+22.5\text{V}$  range exceed the absolute maximum analog input voltage. These ranges can still be used as long as the input voltage remains under the absolute maximum, but this will moderately to significantly reduce the full-scale range of the converter.

Likewise, three of the input ranges involve the connection at  $R_{2\text{IN}}$  being driven below GND. This input has a reverse-biased ESD protection diode connection to ground. If  $R_{2\text{IN}}$  is taken below  $\text{GND} - 0.3\text{V}$ , this diode will be forward-biased and will clamp the negative input at  $-0.4\text{V}$  to  $-0.7\text{V}$ , depending on the temperature. Since the negative full-scale value of these input ranges exceed  $-0.4\text{V}$ , they are not recommended.

Note that Table IV assumes that the voltage at the REF pin is  $+2.5\text{V}$ . This is true if the internal reference is being used or if the external reference is  $+2.5\text{V}$ . Other reference voltages will change the values in Table IV.

### HIGH IMPEDANCE MODE

When  $R_{1\text{IN}}$ ,  $R_{2\text{IN}}$ , and  $R_{3\text{IN}}$  are connected to the analog input, the input range of the ADS7813 is  $0.3125\text{V}$  to  $2.8125\text{V}$  and the input impedance is greater than  $10\text{M}\Omega$ . This input range can be used to connect the ADS7813 directly to a wide variety of sensors. Figure 10 shows the impedance of the sensor versus the change in ILE and DLE of the ADS7813. The performance of the ADS7813 can be improved for higher sensor impedance by allowing more time for acquisition. For example,  $10\mu\text{s}$  of acquisition time will approximately double sensor impedance for the same ILE/DLE performance.

The input impedance and capacitance of the ADS7813 are very stable with temperature. Assuming that this is true of the sensor as well, the graph shown in Figure 10 will vary less than a few percent over the ensured temperature range of the ADS7813. If the sensor impedance varies significantly with temperature, the worst-case impedance should be used.

### DRIVING THE ADS7813 ANALOG INPUT

In general, any *reasonably fast*, high-quality operational or instrumentation amplifier can be used to drive the ADS7813 input. When the converter enters the acquisition mode, there is some charge injection from the converter input to the amplifier output. This can result in inadequate settling time

with slower amplifiers. Be very careful with single-supply amplifiers, particularly if their output will be required to swing very close to the supply rails.

In addition, be careful in regards to the amplifier linearity. The outputs of single-supply and rail-to-rail amplifiers can saturate as they approach the supply rails. Rather than the amplifier transfer function being a straight line, the curve can become severely 'S' shaped. Also, watch for the point where the amplifier switches from sourcing current to sinking current. For some amplifiers, the transfer function can be noticeably discontinuous at this point, causing a significant change in the output voltage for a much smaller change on the input.

Texas Instruments manufactures a wide variety of operational and instrumentation amplifiers that can be used to drive the input of the ADS7813. These include the OPA627, OPA132, and INA110.

## REFERENCE

The ADS7813 can be operated with its internal  $2.5\text{V}$  reference or an external reference. By applying an external reference voltage to the REF pin, the internal reference voltage is overdriven. The voltage at the REF input is internally buffered by a unity gain buffer. The output of this buffer is present at the BUF and CAP pins.

### REF

The REF pin is the output of the internal  $2.5\text{V}$  reference or the input for an external reference. A  $1\mu\text{F}$  to  $2.2\mu\text{F}$  tantalum capacitor should be connected between this pin and ground. The capacitor should be placed as close to the ADS7813 as possible.

When using the internal reference, the REF pin should not be connected to any type of significant load. An external load will cause a voltage drop across the internal  $4\text{k}\Omega$  resistor that is in series with the internal reference. Even a  $40\text{M}\Omega$  external load to ground will cause a decrease in the full-scale range of the converter by 6 LSBs.

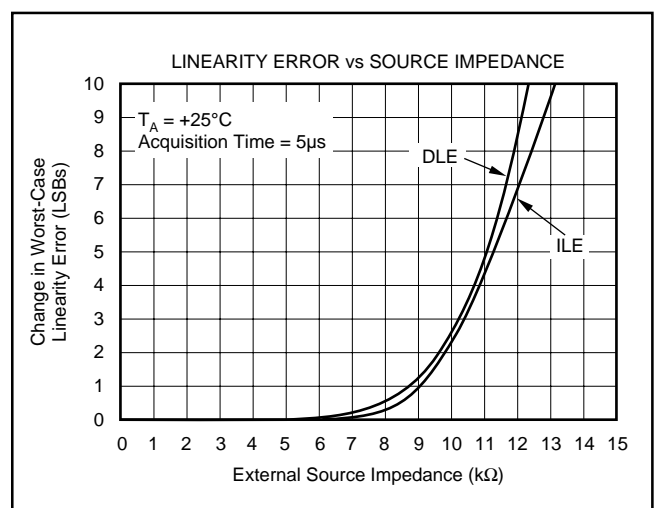


FIGURE 10. Linearity Error vs Source Impedance in the High Impedance Mode ( $R_{1\text{IN}} = R_{2\text{IN}} = R_{3\text{IN}} = V_{\text{IN}}$ ).

The range for the external reference is 2.3V to 2.7V. The voltage on REF determines the full-scale range of the converter and the corresponding LSB size. Increasing the reference voltage will increase the LSB size in relation to the internal noise sources which, in turn, can improve signal-to-noise ratio. Likewise, decreasing the reference voltage will reduce the LSB size and signal-to-noise ratio.

## CAP

The CAP pin is used to compensate the internal reference buffer. A 1 $\mu$ F tantalum capacitor in parallel with a 0.01 $\mu$ F ceramic capacitor should be connected between this pin and ground, with the ceramic capacitor placed as close to the ADS7813 as possible. The total value of the capacitance on the CAP pin is critical to optimum performance of the ADS7813. A value larger than 2.0 $\mu$ F could overcompensate the buffer while a value lower than 0.5 $\mu$ F may not provide adequate compensation. The ESR (equivalent series resistance) of these compensation capacitors is also critical. Keep the total ESR under 3 $\Omega$ . See the Typical Characteristic curve, *|Worst-Case INL| vs ESR of Reference Buffer Compensation Capacitor*, for how the worst-case INL is affected by ESR.

## BUF

The voltage on the BUF pin is the output of the internal reference buffer. This pin is used to provide +2.5V to the analog input or inputs for the various input configurations. The BUF output can provide up to 1mA of current to an external load. The load should be constant as a variable load could affect the conversion result by modulating the BUF voltage. Also note that the BUF output will show significant glitches as each bit decision is made during a conversion. Between conversions, the BUF output is quiet.

## POWER DOWN

The ADS7813 has a power-down mode that is activated by taking  $\overline{\text{CONV}}$  LOW and then PWRD HIGH. This will power down all of the analog circuitry including the reference, reducing power dissipation to under 50 $\mu$ W. To exit the

power-down mode,  $\overline{\text{CONV}}$  is taken HIGH and then PWRD is taken LOW. Note that a conversion will be initiated if PWRD is taken HIGH while  $\overline{\text{CONV}}$  is LOW.

While in the power-down mode, the voltage on the capacitors connected to CAP and REF will begin to leak off. The voltage on the CAP capacitor leaks off much more rapidly than on the REF capacitor (the REF input of the ADS7813 becomes high-impedance when PWRD is HIGH—this is not true for the CAP input). When the power-down mode is exited, these capacitors must be allowed to recharge and settle to a 16-bit level. Figure 11 shows the amount of time typically required to obtain a valid 16-bit result based on the amount of time spent in power down (at room temperature). This figure assumes that the total capacitance on the CAP pin is 1.01 $\mu$ F.

Figure 12 provides a circuit which can significantly reduce the power up time if the power down time will be fairly brief (a few seconds or less). A low on-resistance MOSFET is used to disconnect the capacitance on the CAP pin from the leakage paths internal to the ADS7813. This allows the capacitors to retain their charge for a much longer period of time, reducing the time required to recharge them at power up. With this circuit, the power-down time can be extended to tens or hundreds of milliseconds with almost instantaneous power up.

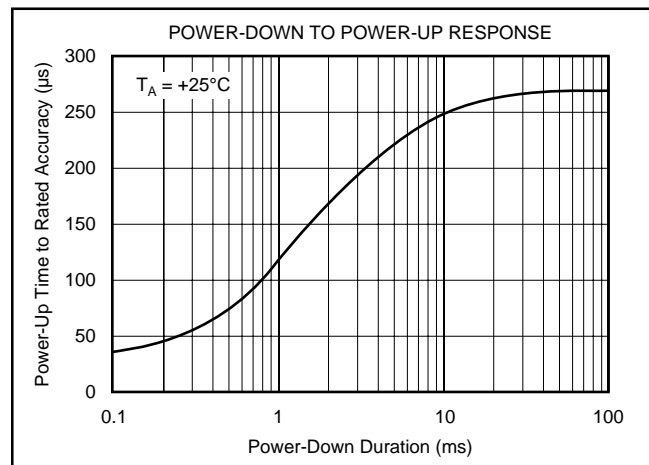


FIGURE 11. Power-Down to Power-Up Response.

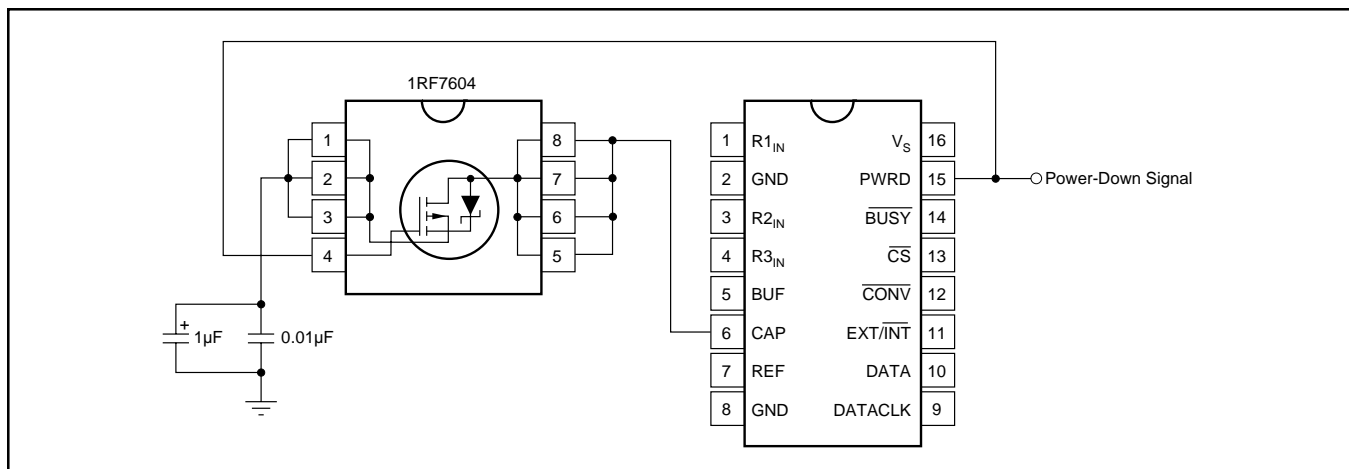


FIGURE 12. Improved Power-Up Response Circuit.

# LAYOUT

The ADS7813 should be treated as a precision analog component and should reside completely on the analog portion of the printed circuit board. Ideally, a ground plane should extend underneath the ADS7813 and under all other analog components. This plane should be separate from the digital ground until they are joined at the power supply connection. This will help prevent dynamic digital ground currents from modulating the analog ground through a common impedance to power ground.

The +5V power should be clean, well-regulated, and separate from the +5V power for the digital portion of the design. One possibility is to derive the +5V supply from a linear regulator located near the ADS7813. If derived from the digital +5V power, a 5Ω to 10Ω resistor should be placed in series with the power connection from the digital supply. It may also be necessary to increase the bypass capacitance near the  $V_S$  pin (an additional 100μF or greater capacitor in parallel with the 10μF and 0.1μF capacitors). For designs with a large number of digital components or very high speed digital logic, this simple power supply filtering scheme may not be adequate.

# SENSITIVITY TO EXTERNAL DIGITAL SIGNALS

All successive approximation register-based A/D converters are sensitive to external sources of noise. The reason for this will be explained in the following paragraphs. For the ADS7813 and similar A/D converters, this noise most often originates due to the transition of external digital signals. While digital signals that run near the converter can be the source of the noise, the biggest problem occurs with the digital inputs to the converter itself.

In many cases, the system designer may not be aware that there is a problem or a potential for a problem. For a 12-bit system, these problems typically occur at the least significant bits and only at certain places in the converter's transfer function. For a 16-bit converter, the problem can be much easier to spot.

For example, the timing diagram in Figure 2 shows that the CONV signal should return HIGH sometime during time  $t_2$ . In fact, the CONV signal can return HIGH at any time during the conversion. However, after time  $t_2$ , the transition of the CONV signal has the potential of creating a good deal of noise on the ADS7813 die. If this transition occurs at just precisely the wrong time, the conversion results could be affected. In a similar manner, transitions on the DATACLK input could affect the conversion result.

For the ADS7813, there are 16 separate bit decisions which are made during the conversion. The most significant bit decision is made first, proceeding to the least significant bit at the end of the conversion. Each bit decision involves the assumption that the bit being tested should be set. This is combined with the result that has been achieved so far. The converter compares this combined result with the actual input voltage. If the combined result is too high, the bit is cleared. If the result is equal to or lower than the actual input voltage, the bit remains HIGH. This is why the basic architecture is referred to as *successive approximation register (SAR)*.

If the result so far is getting very close to the actual input voltage, then the comparison involves two voltages which are very close together. The ADS7813 has been designed so that the internal noise sources are at a minimum just prior to the comparator result being latched. However, if an external digital signal transitions at this time, a great deal of noise will be coupled into the sensitive analog section of the ADS7813. Even if this noise produces a difference between the two voltages of only 2mV, the conversion result will be off by 52 counts or least significant bits (LSBs). (The internal LSB size of the ADS7813 is 38μV regardless of the input range.)

Once a digital transition has caused the comparator to make a wrong bit decision, the decision cannot be corrected (unless some type of error correction is employed). All subsequent bit decisions will then be wrong. Figure 13 shows a successive approximation process that has gone wrong. The dashed line represents what the correct bit decisions should have been. The solid line represents the actual result of the conversion.

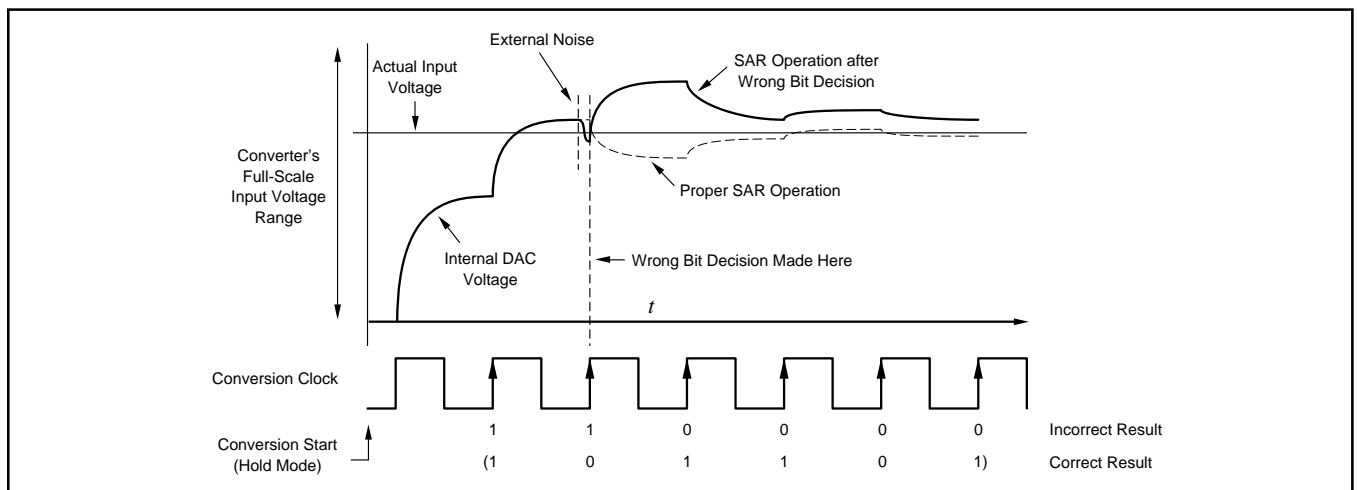


FIGURE 13. SAR Operation When External Noise Affects the Conversion.

Keep in mind that the time period when the comparator is most sensitive to noise is fairly small. Also, the peak portion of the noise event produced by a digital transition is fairly brief, as most digital signals transition in a few nanoseconds. The subsequent noise may last for a period of time longer than this and may induce further effects which require a longer settling time. However, in general, the event is over within a few tens of nanoseconds.

For the ADS7813, error correction is done when the tenth bit is decided. During this bit decision, it is possible to correct limited errors that may have occurred during previous bit decisions. However, after the tenth bit, no such correction is possible. Note that for the timing diagrams shown in Figures 2, 5, 6, 7, and 8, all external digital signals should remain static from 8 $\mu$ s after the start of a conversion until  $\overline{\text{BUSY}}$  rises. The tenth bit is decided approximately 10 $\mu$ s to 11 $\mu$ s into the conversion.

## APPLICATIONS INFORMATION

### TRANSITION NOISE

If a low-noise DC input is applied to the ADS7813 and 1,000 conversions are performed, the digital output of the converter will vary slightly in output codes. This is true for all 16-bit SAR converters. The Transition Noise specification found in the *Electrical Characteristics* section is a statistical figure that represents the 1 sigma ( $\sigma$ ) limit of these output codes.

Using a histogram to plot the number of occurrences of each output code, the distribution should appear bell-shaped with the peak of the curve representing the nominal output code for the given input voltage. The  $\pm 1\sigma$ ,  $\pm 2\sigma$ , and  $\pm 3\sigma$  limits around this nominal code should contain 68.3%, 95.5%, and 99.7%, respectively, of the conversion results. As a rough approximation, multiplying transition noise by 6 ( $\pm 3\sigma$ ) will yield the number of unique output codes which should be present in 1,000 conversions.

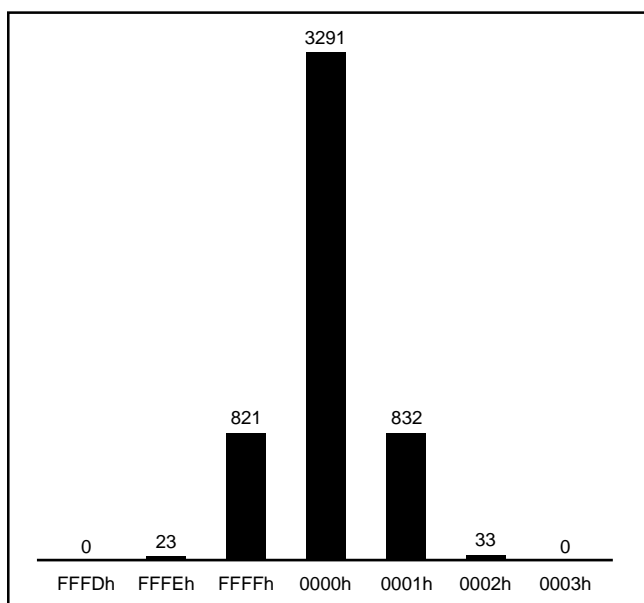


FIGURE 14. Histogram of 5,000 Conversions with Input Grounded.

The ADS7813 has a transition noise figure of 0.6LSB, yielding approximately 4 different output codes for 1,000 conversions. However, since  $\pm 3\sigma$  is only 99.7%, up to three conversions have some chance of being outside this range. In addition, the differential linearity error of each code and the quantization performed by the converter result in histograms which can deviate from the ideal. Figure 14 shows a histogram of 5,000 conversions from the ADS7813.

### AVERAGING

The noise of the converter can be reduced by averaging conversion results. The noise will be reduced by a factor of  $1/\sqrt{n}$ , where  $n$  is the number of averages. For example, averaging four conversions will reduce transition noise by half, to 0.3LSBs. Averaging should only be used for low-frequency signals.

For higher frequency signals, a digital filter can be used to reduce noise. This works in a similar manner to averaging: for every reduction in the signal bandwidth by two, the signal-to-noise ratio will improve by 3dB.

### QSPI INTERFACING

Figure 15 shows a simple interface between the ADS7813 and any queued serial peripheral interface (QSPI) equipped microcontroller (available on several Motorola devices). This interface assumes that the convert pulse does not originate from the microcontroller and that the ADS7813 is the only serial peripheral.

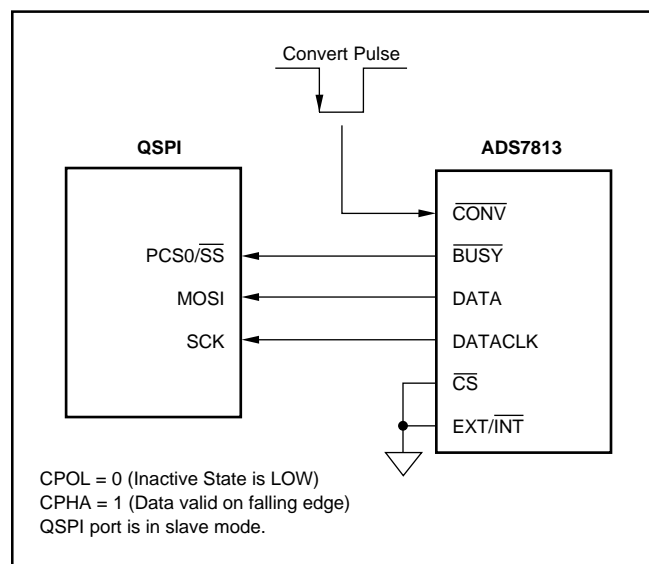


FIGURE 15. QSPI Interface to the ADS7813.

Before enabling the QSPI interface, the microcontroller must be configured to monitor the slave select ( $\overline{\text{SS}}$ ) line. When a LOW to HIGH transition occurs (indicating the end of a conversion), the port can be enabled. If this is not done, the microcontroller and A/D converter may not be properly synchronized. (The slave select line simply enables communication—it does not indicate the start or end of a serial transfer.)



Figure 16 shows a QSPI-equipped microcontroller interfacing to three ADS7813s. There are many possible variations to this interface scheme. As shown, the QSPI port produces a common  $\overline{\text{CONV}}$  signal which initiates a conversion on all three converters. After the conversions are finished, each result is transferred in turn. The QSPI port is completely programmable to handle the timing and transfers without processor intervention. If the  $\overline{\text{CONV}}$  signal is generated in this way, it should be possible to make both AC and DC measurements with the ADS7813, as the  $\overline{\text{CONV}}$  signal will have low jitter. Note that if the  $\overline{\text{CONV}}$  signal is generated via software commands, it will have a good deal of jitter and only low frequency (DC) measurements can be made.

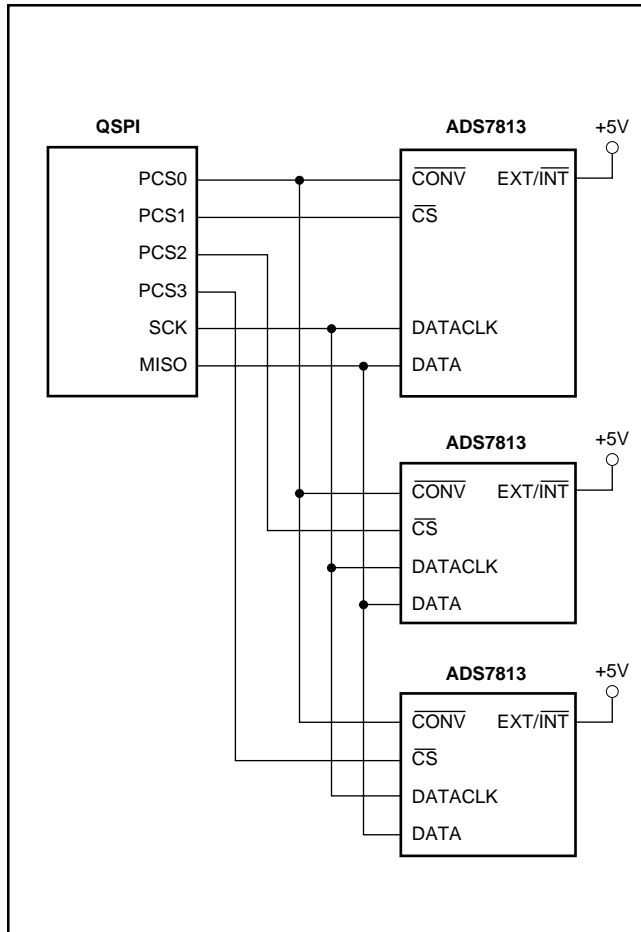


FIGURE 16. QSPI Interface to Three ADS7813s.

## SPI INTERFACING

The serial peripheral interface (SPI) is directly related to the QSPI and both Figures 15 and 16 can be used as a guide for connecting the ADS7813 to SPI-equipped microcontrollers. For most microcontrollers, the SPI port is capable of 8-bit transfers only. In the case of Figure 15, be aware that the microcontroller may have to be capable of fetching the 8 most significant bits before they are overwritten by the 8 least significant bits.

## DSP56002 INTERFACING

The DSP56002 serial interface has an SPI compatibility mode with some enhancements. Figure 17 shows an interface between the ADS7813 and the DSP56002. As with the QSPI interface of Figure 15, the DSP56002 must be programmed to enable the serial interface when a LOW to HIGH transition on SCI occurs.

The DSP56002 can also provide the  $\overline{\text{CONV}}$  signal, as shown in Figure 18. The receive and transmit sections of the interface are decoupled (asynchronous mode) and the transmit section is set to generate a word length frame sync every other transmit frame (frame rate divider set to 2). The prescale modulus should be set to produce a transmit frame at twice the desired conversion rate.

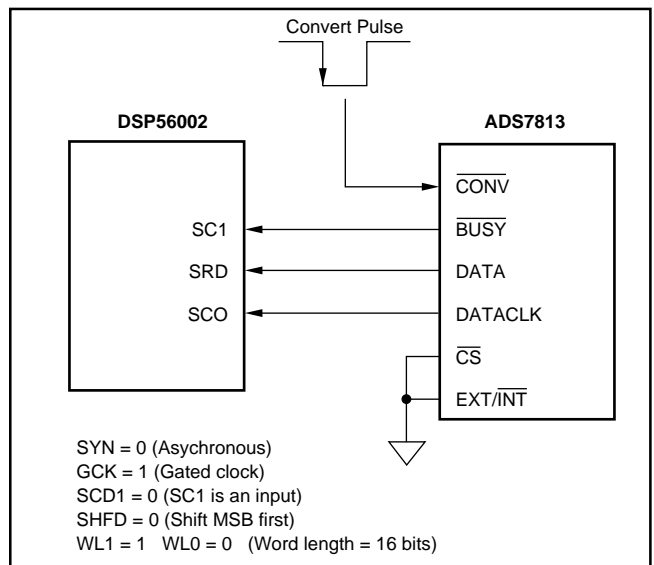


FIGURE 17. DSP56002 Interface to the ADS7813.

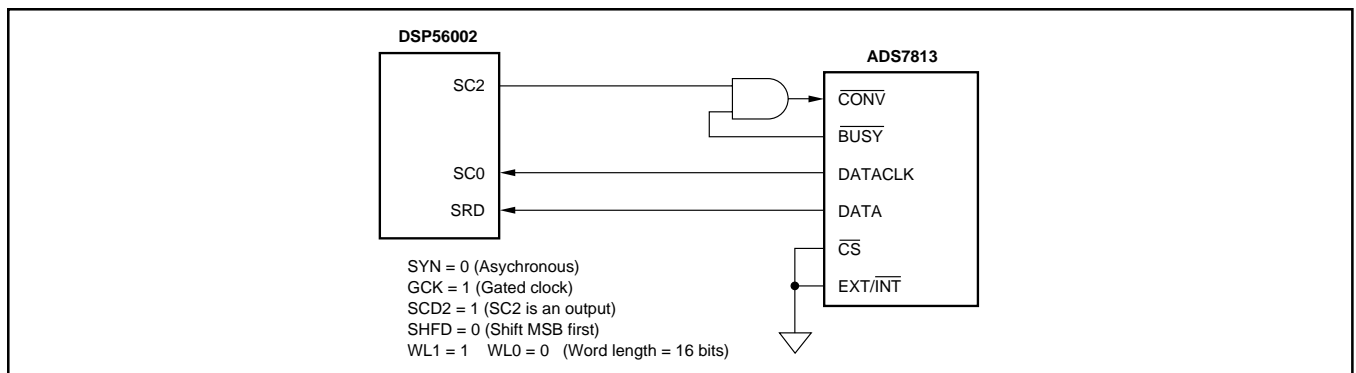


FIGURE 18. DSP56002 Interface to the ADS7813. Processor Initiates Conversions.

**PACKAGING INFORMATION**

| Orderable Device | Status <sup>(1)</sup> | Package Type | Package Drawing | Pins | Package Qty | Eco Plan <sup>(2)</sup> | Lead/Ball Finish | MSL Peak Temp <sup>(3)</sup> |
|------------------|-----------------------|--------------|-----------------|------|-------------|-------------------------|------------------|------------------------------|
| ADS7813P         | ACTIVE                | PDIP         | N               | 16   | 25          | Green (RoHS & no Sb/Br) | CU NIPDAU        | N / A for Pkg Type           |
| ADS7813PB        | ACTIVE                | PDIP         | N               | 16   | 25          | Green (RoHS & no Sb/Br) | CU NIPDAU        | N / A for Pkg Type           |
| ADS7813PBG4      | ACTIVE                | PDIP         | N               | 16   | 25          | Green (RoHS & no Sb/Br) | CU NIPDAU        | N / A for Pkg Type           |
| ADS7813U         | ACTIVE                | SOIC         | DW              | 16   | 48          | Green (RoHS & no Sb/Br) | CU NIPDAU        | Level-3-260C-168 HR          |
| ADS7813U/1K      | ACTIVE                | SOIC         | DW              | 16   | 1000        | Pb-Free (RoHS)          | CU NIPDAU        | Level-3-260C-168 HR          |
| ADS7813U/1KE4    | ACTIVE                | SOIC         | DW              | 16   | 1000        | Green (RoHS & no Sb/Br) | CU NIPDAU        | Level-3-260C-168 HR          |
| ADS7813UB        | ACTIVE                | SOIC         | DW              | 16   | 48          | Pb-Free (RoHS)          | CU NIPDAU        | Level-3-260C-168 HR          |
| ADS7813UB/1K     | ACTIVE                | SOIC         | DW              | 16   | 1000        | Pb-Free (RoHS)          | CU NIPDAU        | Level-3-260C-168 HR          |
| ADS7813UB/1KE4   | ACTIVE                | SOIC         | DW              | 16   | 1000        | Pb-Free (RoHS)          | CU NIPDAU        | Level-3-260C-168 HR          |
| ADS7813UBE4      | ACTIVE                | SOIC         | DW              | 16   | 48          | Green (RoHS & no Sb/Br) | CU NIPDAU        | Level-3-260C-168 HR          |
| ADS7813UE4       | ACTIVE                | SOIC         | DW              | 16   | 48          | Pb-Free (RoHS)          | CU NIPDAU        | Level-3-260C-168 HR          |

<sup>(1)</sup> The marketing status values are defined as follows:

**ACTIVE:** Product device recommended for new designs.

**LIFEBUY:** TI has announced that the device will be discontinued, and a lifetime-buy period is in effect.

**NRND:** Not recommended for new designs. Device is in production to support existing customers, but TI does not recommend using this part in a new design.

**PREVIEW:** Device has been announced but is not in production. Samples may or may not be available.

**OBSOLETE:** TI has discontinued the production of the device.

<sup>(2)</sup> Eco Plan - The planned eco-friendly classification: Pb-Free (RoHS), Pb-Free (RoHS Exempt), or Green (RoHS & no Sb/Br) - please check <http://www.ti.com/productcontent> for the latest availability information and additional product content details.

**TBD:** The Pb-Free/Green conversion plan has not been defined.

**Pb-Free (RoHS):** TI's terms "Lead-Free" or "Pb-Free" mean semiconductor products that are compatible with the current RoHS requirements for all 6 substances, including the requirement that lead not exceed 0.1% by weight in homogeneous materials. Where designed to be soldered at high temperatures, TI Pb-Free products are suitable for use in specified lead-free processes.

**Pb-Free (RoHS Exempt):** This component has a RoHS exemption for either 1) lead-based flip-chip solder bumps used between the die and package, or 2) lead-based die adhesive used between the die and leadframe. The component is otherwise considered Pb-Free (RoHS compatible) as defined above.

**Green (RoHS & no Sb/Br):** TI defines "Green" to mean Pb-Free (RoHS compatible), and free of Bromine (Br) and Antimony (Sb) based flame retardants (Br or Sb do not exceed 0.1% by weight in homogeneous material)

<sup>(3)</sup> MSL, Peak Temp. -- The Moisture Sensitivity Level rating according to the JEDEC industry standard classifications, and peak solder temperature.

**Important Information and Disclaimer:**The information provided on this page represents TI's knowledge and belief as of the date that it is provided. TI bases its knowledge and belief on information provided by third parties, and makes no representation or warranty as to the accuracy of such information. Efforts are underway to better integrate information from third parties. TI has taken and continues to take reasonable steps to provide representative and accurate information but may not have conducted destructive testing or chemical analysis on incoming materials and chemicals. TI and TI suppliers consider certain information to be proprietary, and thus CAS numbers and other limited information may not be available for release.

In no event shall TI's liability arising out of such information exceed the total purchase price of the TI part(s) at issue in this document sold by TI

to Customer on an annual basis.

N (R-PDIP-T\*\*)

PLASTIC DUAL-IN-LINE PACKAGE

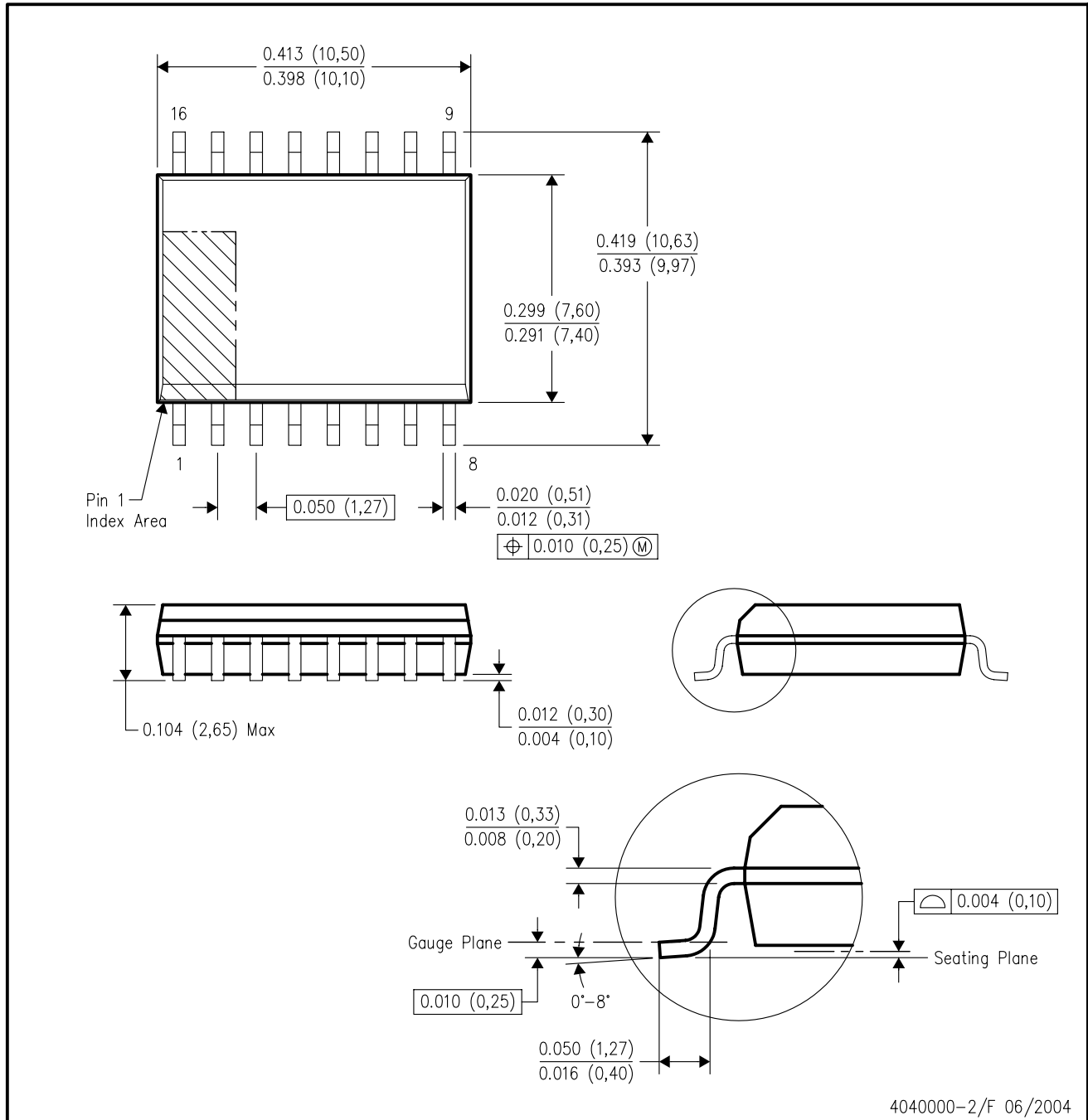
16 PINS SHOWN



- NOTES:
- A. All linear dimensions are in inches (millimeters).
  - B. This drawing is subject to change without notice.
  - Falls within JEDEC MS-001, except 18 and 20 pin minimum body length (Dim A).
  - The 20 pin end lead shoulder width is a vendor option, either half or full width.

DW (R-PDSO-G16)

PLASTIC SMALL-OUTLINE PACKAGE



4040000-2/F 06/2004

- NOTES:
- A. All linear dimensions are in inches (millimeters).
  - B. This drawing is subject to change without notice.
  - C. Body dimensions do not include mold flash or protrusion not to exceed 0.006 (0,15).
  - D. Falls within JEDEC MS-013 variation AA.

## IMPORTANT NOTICE

Texas Instruments Incorporated and its subsidiaries (TI) reserve the right to make corrections, modifications, enhancements, improvements, and other changes to its products and services at any time and to discontinue any product or service without notice. Customers should obtain the latest relevant information before placing orders and should verify that such information is current and complete. All products are sold subject to TI's terms and conditions of sale supplied at the time of order acknowledgment.

TI warrants performance of its hardware products to the specifications applicable at the time of sale in accordance with TI's standard warranty. Testing and other quality control techniques are used to the extent TI deems necessary to support this warranty. Except where mandated by government requirements, testing of all parameters of each product is not necessarily performed.

TI assumes no liability for applications assistance or customer product design. Customers are responsible for their products and applications using TI components. To minimize the risks associated with customer products and applications, customers should provide adequate design and operating safeguards.

TI does not warrant or represent that any license, either express or implied, is granted under any TI patent right, copyright, mask work right, or other TI intellectual property right relating to any combination, machine, or process in which TI products or services are used. Information published by TI regarding third-party products or services does not constitute a license from TI to use such products or services or a warranty or endorsement thereof. Use of such information may require a license from a third party under the patents or other intellectual property of the third party, or a license from TI under the patents or other intellectual property of TI.

Reproduction of information in TI data books or data sheets is permissible only if reproduction is without alteration and is accompanied by all associated warranties, conditions, limitations, and notices. Reproduction of this information with alteration is an unfair and deceptive business practice. TI is not responsible or liable for such altered documentation.

Resale of TI products or services with statements different from or beyond the parameters stated by TI for that product or service voids all express and any implied warranties for the associated TI product or service and is an unfair and deceptive business practice. TI is not responsible or liable for any such statements.

Following are URLs where you can obtain information on other Texas Instruments products and application solutions:

| <b>Products</b>    |  | <b>Applications</b> |  |
|--------------------|--|---------------------|--|
| Amplifiers         | <a href="http://amplifier.ti.com">amplifier.ti.com</a>             | Audio               | <a href="http://www.ti.com/audio">www.ti.com/audio</a>                   |
| Data Converters    | <a href="http://dataconverter.ti.com">dataconverter.ti.com</a>     | Automotive          | <a href="http://www.ti.com/automotive">www.ti.com/automotive</a>         |
| DSP                | <a href="http://dsp.ti.com">dsp.ti.com</a>                         | Broadband           | <a href="http://www.ti.com/broadband">www.ti.com/broadband</a>           |
| Interface          | <a href="http://interface.ti.com">interface.ti.com</a>             | Digital Control     | <a href="http://www.ti.com/digitalcontrol">www.ti.com/digitalcontrol</a> |
| Logic              | <a href="http://logic.ti.com">logic.ti.com</a>                     | Military            | <a href="http://www.ti.com/military">www.ti.com/military</a>             |
| Power Mgmt         | <a href="http://power.ti.com">power.ti.com</a>                     | Optical Networking  | <a href="http://www.ti.com/opticalnetwork">www.ti.com/opticalnetwork</a> |
| Microcontrollers   | <a href="http://microcontroller.ti.com">microcontroller.ti.com</a> | Security            | <a href="http://www.ti.com/security">www.ti.com/security</a>             |
| Low Power Wireless | <a href="http://www.ti.com/lpw">www.ti.com/lpw</a>                 | Telephony           | <a href="http://www.ti.com/telephony">www.ti.com/telephony</a>           |
|                    |  | Video & Imaging     | <a href="http://www.ti.com/video">www.ti.com/video</a>                   |
|                    |  | Wireless            | <a href="http://www.ti.com/wireless">www.ti.com/wireless</a>             |

Mailing Address: Texas Instruments  
Post Office Box 655303 Dallas, Texas 75265