



16-Bit 10 μ s Serial CMOS Sampling ANALOG-TO-DIGITAL CONVERTER

FEATURES

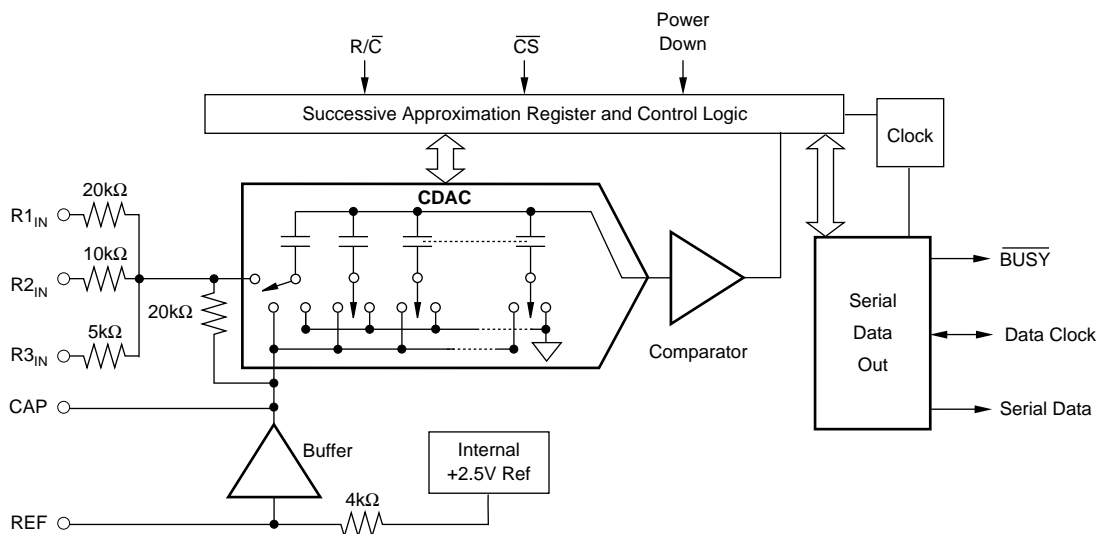
- 100kHz SAMPLING RATE
- 86dB SINAD WITH 20kHz INPUT
- ± 2 LSB INL
- DNL: 16 Bits No Missing Codes
- SIX SPECIFIED INPUT RANGES
- SERIAL OUTPUT
- SINGLE +5V SUPPLY OPERATION
- PIN-COMPATIBLE WITH 12-BIT ADS7808
- USES INTERNAL OR EXTERNAL REFERENCE
- 100mW MAX POWER DISSIPATION
- 0.3" SO-20
- SIMPLE DSP INTERFACE

DESCRIPTION

The ADS7809 is a complete 16-bit sampling Analog-to-Digital (A/D) converter using state-of-the-art CMOS structures. It contains a 16-bit capacitor-based Successive Approximation Register (SAR) A/D converter with sample-and-hold, reference, clock, and a serial data interface. Data can be outputted using the internal clock, or can be synchronized to an external data clock. The ADS7809 also provides an output synchronization pulse for ease of use with standard DSP processors.

The ADS7809 is specified at a 100kHz sampling rate, and specified over the full temperature range. Laser-trimmed scaling resistors provide various input ranges including ± 10 V and 0V to 5V, while an innovative design operates from a single +5V supply, with power dissipation under 100mW.

The ADS7809 is available in a 0.3" SO-20, and is fully specified for operation over the industrial -40°C to $+85^{\circ}\text{C}$ range.



Please be aware that an important notice concerning availability, standard warranty, and use in critical applications of Texas Instruments semiconductor products and disclaimers thereto appears at the end of this data sheet.

All trademarks are the property of their respective owners.

ABSOLUTE MAXIMUM RATINGS⁽¹⁾

Analog Inputs: R1 _{IN}	±25V
R2 _{IN}	±25V
R3 _{IN}	±25V
REF	V _{ANA} + 0.3V to AGND2 – 0.3V
CAP	Indefinite Short to AGND2, Momentary Short to V _{ANA}
Ground Voltage Differences: DGND, AGND2	±0.3V
V _{ANA}	7V
V _{DIG} to V _{ANA}	+0.3
V _{DIG}	7V
Digital Inputs	–0.3V to V _{DIG} + 0.3V
Maximum Junction Temperature	+165°C
Internal Power Dissipation	700mW
Lead Temperature (soldering, 10s)	+300°C

NOTE: (1) Stresses above those listed under *Absolute Maximum Ratings* may cause permanent damage to the device. Exposure to absolute maximum conditions for extended periods may affect device reliability.



ELECTROSTATIC DISCHARGE SENSITIVITY

This integrated circuit can be damaged by ESD. Texas Instruments recommends that all integrated circuits be handled with appropriate precautions. Failure to observe proper handling and installation procedures can cause damage.

ESD damage can range from subtle performance degradation to complete device failure. Precision integrated circuits may be more susceptible to damage because very small parametric changes could cause the device not to meet its published specifications.

PACKAGE/ORDERING INFORMATION⁽¹⁾

PRODUCT	MAXIMUM LINEARITY ERROR (LSB)	NO MISSING CODE LEVEL (LSB)	MINIMUM SIGNAL-TO-(NOISE + DISTORTION) RATIO (dB)	PACKAGE-LEAD	PACKAGE DESIGNATOR	SPECIFIED TEMPERATURE RANGE	PACKAGE MARKING	ORDERING NUMBER	TRANSPORT MEDIA, QUANTITY
ADS7809U	±3	15	83	SO-20	DW	–40°C to +85°C	ADS7809U	ADS7809U	Rail, 38
"	"	"	"	"	"	"	"	ADS7809U/1K	Tape and Reel, 1000
ADS7809UB	±2	16	86	"	"	"	ADS7809UB	ADS7809UB	Rail, 38
"	"	"	"	"	"	"	"	ADS7809UB/1K	Tape and Reel, 1000

NOTE: (1) For the most current package and ordering information, see the Package Option Addendum at the end of this document, or see the TI web site at www.ti.com.

ELECTRICAL CHARACTERISTICS

At $T_A = -40^{\circ}\text{C}$ to $+85^{\circ}\text{C}$, $f_S = 100\text{kHz}$, $V_{\text{DIG}} = V_{\text{ANA}} = +5\text{V}$, using internal reference and fixed resistors (see Figure 4), unless otherwise specified.

PARAMETER	CONDITIONS	ADS7809U			ADS7809UB			UNITS
		MIN	TYP	MAX	MIN	TYP	MAX	
RESOLUTION				16			*	Bits
ANALOG INPUT Voltage Ranges Impedance Capacitance				±10, 0V to 5V, etc. (See Table I) See Table I			*	pF
THROUGHPUT SPEED Complete Cycle Throughput Rate	Acquire and Convert	100		10	*		*	μs kHz
DC ACCURACY Integral Linearity Error Differential Linearity Error No Missing Codes Transition Noise ⁽²⁾ Full-Scale Error ^(3,4) Full-Scale Error Drift Full-Scale Error ^(3,4) Full-Scale Error Drift Bipolar Zero Error ⁽³⁾ Bipolar Zero Error Drift Unipolar Zero Error ⁽³⁾ Unipolar Zero Error ⁽³⁾ Unipolar Zero Error Drift Recovery to Rated Accuracy after Power-Down Power-Supply Sensitivity ($V_{\text{DIG}} = V_{\text{ANA}} = V_{\text{D}}$)	Ext. 2.5000V Ref Ext. 2.5000V Ref Bipolar Ranges Bipolar Ranges 0V to 10V Ranges 0V to 4V, 0V to 5V Ranges Unipolar Ranges 1μF Capacitor to CAP +4.75V < V_{D} < +5.25V	15	1.3	±3 +3, -2 ±0.5 ±0.5 ±10 ±5 ±3 ±8	16	*	±2 ±1 *	LSB ⁽¹⁾ LSB Bits LSB % ppm/°C % ppm/°C mV ppm/°C mV mV ppm/°C ms LSB
AC ACCURACY Spurious-Free Dynamic Range Total Harmonic Distortion Signal-to-(Noise + Distortion) Signal-to-Noise Full-Power Bandwidth ⁽⁶⁾	$f_{\text{IN}} = 20\text{kHz}$ $f_{\text{IN}} = 20\text{kHz}$ $f_{\text{IN}} = 20\text{kHz}$ -60dB Input $f_{\text{IN}} = 20\text{kHz}$	90	100 -100	-90	96	*	*	dB ⁽⁵⁾ dB dB dB dB kHz
SAMPLING DYNAMICS Aperture Delay Transient Response Overvoltage Recovery ⁽⁷⁾	FS Step		40	2		*	*	ns μs ns
REFERENCE Internal Reference Voltage Internal Reference Source Current (Must use external buffer) External Reference Voltage Range For Specified Linearity External Reference Current Drain	No Load Ext. 2.5000V Ref	2.48	2.5 1	2.52	*	*	*	V μA V μA
DIGITAL INPUTS Logic Levels V_{IL} $V_{\text{IH}}^{(8)}$ I_{IL} I_{IH}	$V_{\text{IL}} = 0\text{V}$ $V_{\text{IH}} = 5\text{V}$	-0.3 +2.0		+0.8 $V_{\text{D}} + 0.3\text{V}$ ±10 ±10	*	*	*	V V μA μA

ELECTRICAL CHARACTERISTICS (Cont.)

At $T_A = -40^{\circ}\text{C}$ to $+85^{\circ}\text{C}$, $f_S = 100\text{kHz}$, $V_{\text{DIG}} = V_{\text{ANA}} = +5\text{V}$, using internal reference and fixed resistors as shown in Figure 4, unless otherwise specified.

PARAMETER	CONDITIONS	ADS7809U			ADS7809UB			UNITS
		MIN	TYP	MAX	MIN	TYP	MAX	
DIGITAL OUTPUTS								
Data Format								
Data Co								
Pipeline Delay								
Data Clock								
Internal (Output Only When Transmitting Data)	EXT/ $\overline{\text{INT}}$ LOW		2.3			*		MHz
External (Can Run Continually)	EXT/ $\overline{\text{INT}}$ HIGH	0.1		10	*		*	MHz
V_{OL}	$I_{\text{SINK}} = 1.6\text{mA}$			+0.4			*	V
V_{OH}	$I_{\text{SOURCE}} = 500\mu\text{A}$	+4			*		*	V
Leakage Current	High-Z State, $V_{\text{OUT}} = 0\text{V}$ to V_{DIG}			± 5			*	μA
Output Capacitance	High-Z State			15			*	pF
POWER SUPPLIES								
Specified Performance	Must be $\leq V_{\text{ANA}}$	+4.75	+5	+5.25	*	*	*	V
V_{DIG}		+4.75	+5	+5.25	*	*	*	V
V_{ANA}			0.3			*		mA
I_{DIG}			16			*		mA
I_{ANA}				100		*	*	mW
Power Dissipation: PWRD LOW	$V_{\text{ANA}} = V_{\text{DIG}} = 5\text{V}$, $f_S = 100\text{kHz}$					*	*	mW
Power Dissipation: PWRD HIGH			50			*	*	μW
TEMPERATURE RANGE								
Specified Performance		-40		+85	*		*	$^{\circ}\text{C}$
Derated Performance		-55		+125	*		*	$^{\circ}\text{C}$
Storage		-65		+150	*		*	$^{\circ}\text{C}$
Thermal Resistance (θ_{JA})								$^{\circ}\text{C}/\text{W}$
SO			75			*		

* Same as specification for ADS7809U.

NOTES: (1) LSB means Least Significant Bit. For the $\pm 10\text{V}$ input range, one LSB is $305\mu\text{V}$.

(2) Typical rms noise at worst case transitions and temperatures.

(3) As measured with fixed resistors shown in Figure 4. Adjustable to zero with external potentiometer.

(4) For bipolar input ranges, full-scale error is the worst case of -Full Scale or +Full Scale untrimmed deviation from ideal first and last code transitions, divided by the transition voltage (not divided by the full-scale range) and includes the effect of offset error. For unipolar input ranges, full-scale error is the deviation of the last code transition divided by the transition voltage. It also includes the effect of offset error.

(5) All specifications in dB are referred to a full-scale $\pm 10\text{V}$ input.

(6) Full-Power Bandwidth defined as Full-Scale input frequency at which Signal-to-(Noise + Distortion) degrades to 60dB.

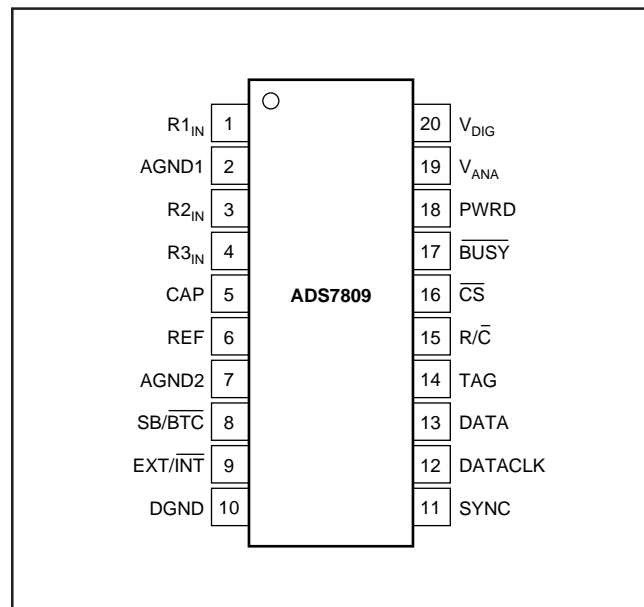
(7) Recovers to specified performance after $2 \cdot \text{FS}$ input overvoltage.

(8) The minimum V_{IH} level for the DATACLK signal is 3V.

PIN ASSIGNMENTS

PIN #	NAME	DESCRIPTION
1	R1 _{IN}	Analog Input. See Table I and Figure 4 for input range connections.
2	AGND1	Analog Ground. Used internally as ground reference point. Minimal current flow.
3	R2 _{IN}	Analog Input. See Table I and Figure 4 for input range connections.
4	R3 _{IN}	Analog Input. See Table I and Figure 4 for input range connections.
5	CAP	Reference Buffer Capacitor. 2.2μF Tantalum to ground.
6	REF	Reference Input/Output. Outputs internal 2.5V reference. Can also be driven by external system reference. In both cases, bypass to ground with a 2.2μF Tantalum capacitor.
7	AGND2	Analog Ground
8	SB/BTC	Select Straight Binary or Binary Two's Complement data output format. If HIGH, data will be output in a Straight Binary format. If LOW, data will be output in a Binary Two's Complement format.
9	EXT/INT	Select External or Internal Clock for transmitting data. If HIGH, data will be output synchronized to the clock input on DATACLK. If LOW, a convert command will initiate the transmission of the data from the previous conversion, along with 16 clock pulses output on DATACLK.
10	DGND	Digital Ground
11	SYNC	Synch Output. If EXT/INT is HIGH, either a rising edge on R/C with CS LOW or a falling edge on CS with R/C HIGH will output a pulse on SYNC synchronized to the external DATACLK.
12	DATACLK	Either an input or an output depending on the EXT/INT level. Output data will be synchronized to this clock. If EXT/INT is LOW, DATACLK will transmit 16 pulses after each conversion, and then remain LOW between conversions.
13	DATA	Serial Data Output. Data will be synchronized to DATACLK, with the format determined by the level of SB/BTC. In the external clock mode, after 16 bits of data, the ADS7809 will output the level input on TAG as long as CS is LOW and R/C is HIGH (see Figure 3). If EXT/INT is LOW, data will be valid on both the rising and falling edges of DATACLK, and between conversions DATA will stay at the level of the TAG input when the conversion was started.
14	TAG	Tag Input for use in external clock mode. If EXT/INT is HIGH, digital data input on TAG will be output on DATA with a delay of 16 DATACLK pulses as long as CS is LOW and R/C is HIGH. See Figure 3.
15	R/C	Read/Convert Input. With CS LOW, a falling edge on R/C puts the internal sample-and-hold into the hold state and starts a conversion. When EXT/INT is LOW, this also initiates the transmission of the data results from the previous conversion. If EXT/INT is HIGH, a rising edge on R/C with CS LOW, or a falling edge on CS with R/C HIGH, transmits a pulse on SYNC and initiates the transmission of data from the previous conversion.
16	CS	Chip Select. Internally OR'ed with R/C.
17	BUSY	Busy Output. Falls when a conversion is started, and remains LOW until the conversion is completed and the data is latched into the output shift register. CS or R/C must be HIGH when BUSY rises, or another conversion will start without time for signal acquisition.
18	PWRD	Power Down Input. If HIGH, conversions are inhibited and power consumption is significantly reduced. Results from the previous conversion are maintained in the output shift register.
19	V _{ANA}	Analog Supply Input. Nominally +5V. Connect directly to pin 20, and decouple to ground with 0.1μF ceramic and 10μF tantalum capacitors.
20	V _{DIG}	Digital Supply Input. Nominally +5V. Connect directly to pin 19. Must be ≤ V _{ANA} .

PIN CONFIGURATION



ANALOG INPUT RANGE	CONNECT R1 _{IN} VIA 200Ω TO	CONNECT R2 _{IN} VIA 100Ω TO	CONNECT R3 _{IN} TO	IMPEDANCE
±10V	V _{IN}	AGND	CAP	22.9kΩ
±5V	AGND	V _{IN}	CAP	13.3kΩ
±3.33V	V _{IN}	V _{IN}	CAP	10.7kΩ
0V to 10V	AGND	V _{IN}	AGND	13.3kΩ
0V to 5V	AGND	AGND	V _{IN}	10.0kΩ
0V to 4V	V _{IN}	AGND	V _{IN}	10.7kΩ

TABLE I. Input Range Connections. See Figure 4 for complete information.

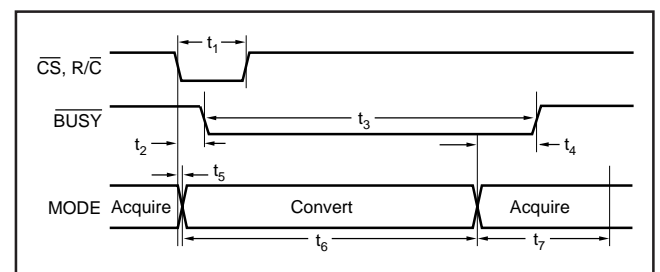


FIGURE 1. Basic Conversion Timing.

SYMBOL	DESCRIPTION	MIN	TYP	MAX	UNITS
t_1	Convert Pulse Width	40		6000	ns
t_2	$\overline{\text{BUSY}}$ Delay			65	ns
t_3	$\overline{\text{BUSY}}$ LOW			8	μs
t_4	$\overline{\text{BUSY}}$ Delay After End of Conversion		220		ns
t_5	Aperture Delay		40		ns
t_6	Conversion Time		7.6	8	μs
t_7	Acquisition Time			2	μs
$t_6 + t_7$	Throughput Time		9	10	μs
t_8	$\text{R}/\overline{\text{C}}$ LOW to DATACLK Delay		450		ns
t_9	DATACLK Period		440		ns
t_{10}	Data Valid to DATACLK HIGH Delay	20	75		ns
t_{11}	Data Valid After DATACLK LOW Delay	100	125		ns
t_{12}	External DATACLK	100			ns
t_{13}	External DATACLK HIGH	20			ns
t_{14}	External DATACLK LOW	30			ns
t_{15}	DATACLK HIGH Setup Time	20		$t_{12} + 5$	ns
t_{16}	$\text{R}/\overline{\text{C}}$ to $\overline{\text{CS}}$ Setup Time	10			ns
t_{17}	SYNC Delay After DATACLK HIGH	15		35	ns
t_{18}	Data Valid Delay	25		55	ns
t_{19}	$\overline{\text{CS}}$ to Rising Edge Delay	25			ns
t_{20}	Data Available after $\overline{\text{CS}}$ LOW	6			μs

TABLE II. Conversion and Data Timing. $T_A = -40^\circ\text{C}$ to $+85^\circ\text{C}$.

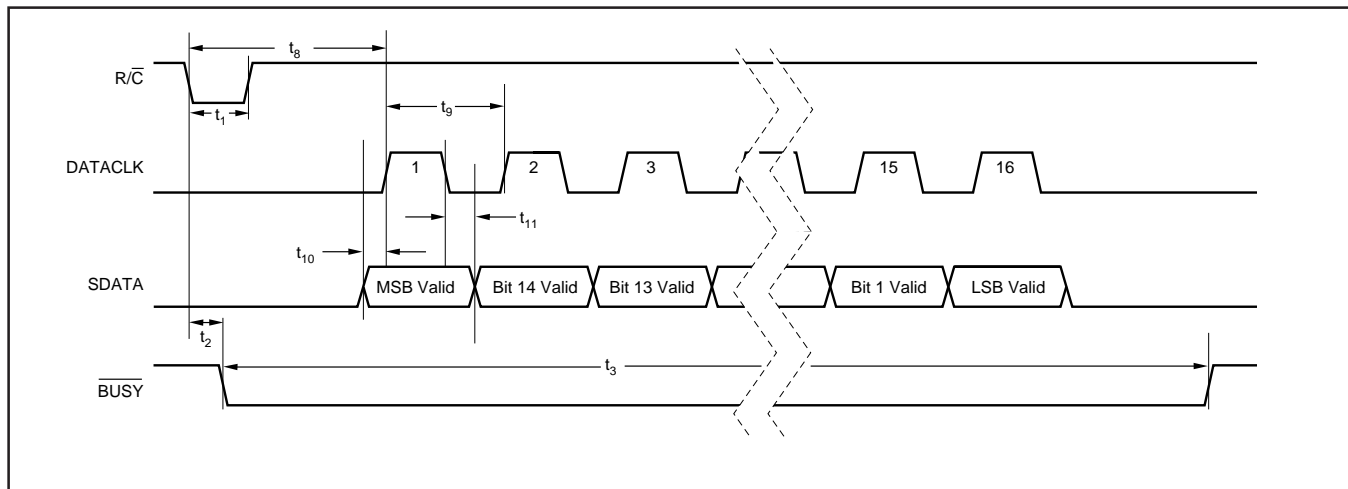


FIGURE 2. Serial Data Timing Using Internal Clock. ($\overline{\text{CS}}$, $\text{EXT}/\overline{\text{INT}}$ and TAG Tied LOW.)

SPECIFIC FUNCTION	\overline{CS}	R/\overline{C}	\overline{BUSY}	$\overline{EXT}/\overline{INT}$	DATACLK	PWRD	SB/ \overline{BTC}	OPERATION
Initiate Conversion and Output Data Using Internal Clock	1 > 0	0	1	0	Output	0	x	Initiates conversion "n". Data from conversion "n - 1" clocked out on DATA synchronized to 16 clock pulses output on DATACLK.
	0	1 > 0	1	0	Output	0	x	Initiates conversion "n". Data from conversion "n - 1" clocked out on DATA synchronized to 16 clock pulses output on DATACLK.
Initiate Conversion and Output Data Using External Clock	1 > 0	0	1	1	Input	0	x	Initiates conversion "n". Initiates conversion "n".
	0	1 > 0	1	1	Input	0	x	
	1 > 0	1	1	1	Input	x	x	Outputs a pulse on SYNC followed by data from conversion "n" clocked out synchronized to external DATACLK.
	1 > 0	1	0	1	Input	0	x	Outputs a pulse on SYNC followed by data from conversion "n - 1" clocked out synchronized to external DATACLK. ⁽¹⁾ Conversion "n" in process.
Incorrect Conversions	0	0	0 > 1	x	x	0	x	\overline{CS} or R/\overline{C} must be HIGH or a new conversion will be initiated without time for acquisition.
	0	0 > 1	0	1	Input	0	x	
Power-Down	x	x	x	x	x	0	x	Analog circuitry powered. Conversion can proceed.
	x	x	x	x	x	1	x	Analog circuitry disabled. Data from previous conversion maintained in output registers.
Selecting Output Format	x	x	x	x	x	x	0	Serial data is output in Binary Two's Complement format.
	x	x	x	x	x	x	1	Serial data is output in Straight Binary format.

NOTE: (1) See Figure 3b for constraints on previous data valid during conversion.

TABLE III. Control Truth Table.

DESCRIPTION	ANALOG INPUT						DIGITAL OUTPUT			
							BINARY TWO'S COMPLEMENT (SB/ \overline{BTC} LOW)		STRAIGHT BINARY (SB/ \overline{BTC} HIGH)	
							BINARY CODE	HEX CODE	BINARY CODE	HEX CODE
Full-Scale Range	± 10	± 5	$\pm 3.33V$	0V to 10V	0V to 5V	0V to 4V				
Least Significant Bit (LSB)	305 μV	153 μV	102 μV	153 μV	76 μV	61 μV				
+Full Scale (FS - 1LSB)	9.999695V	4.999847V	3.333231V	9.999847V	4.999924V	3.999939V	0111 1111 1111 1111	7FFF	1111 1111 1111 1111	FFFF
Midscale	0V	0V	0V	5V	2.5V	2V	0000 0000 0000 0000	0000	1000 0000 0000 0000	8000
One LSB Below Midscale	-305 μV	-153 μV	-102 μV	4.999847V	2.499924V	1.999939V	1111 1111 1111 1111	FFFF	0111 1111 1111 1111	7FFF
-Full Scale	-10V	-5V	-3.333333V	0V	0V	0V	1000 0000 0000 0000	8000	0000 0000 0000 0000	0000

TABLE IV. Output Codes and Ideal Input Voltages.

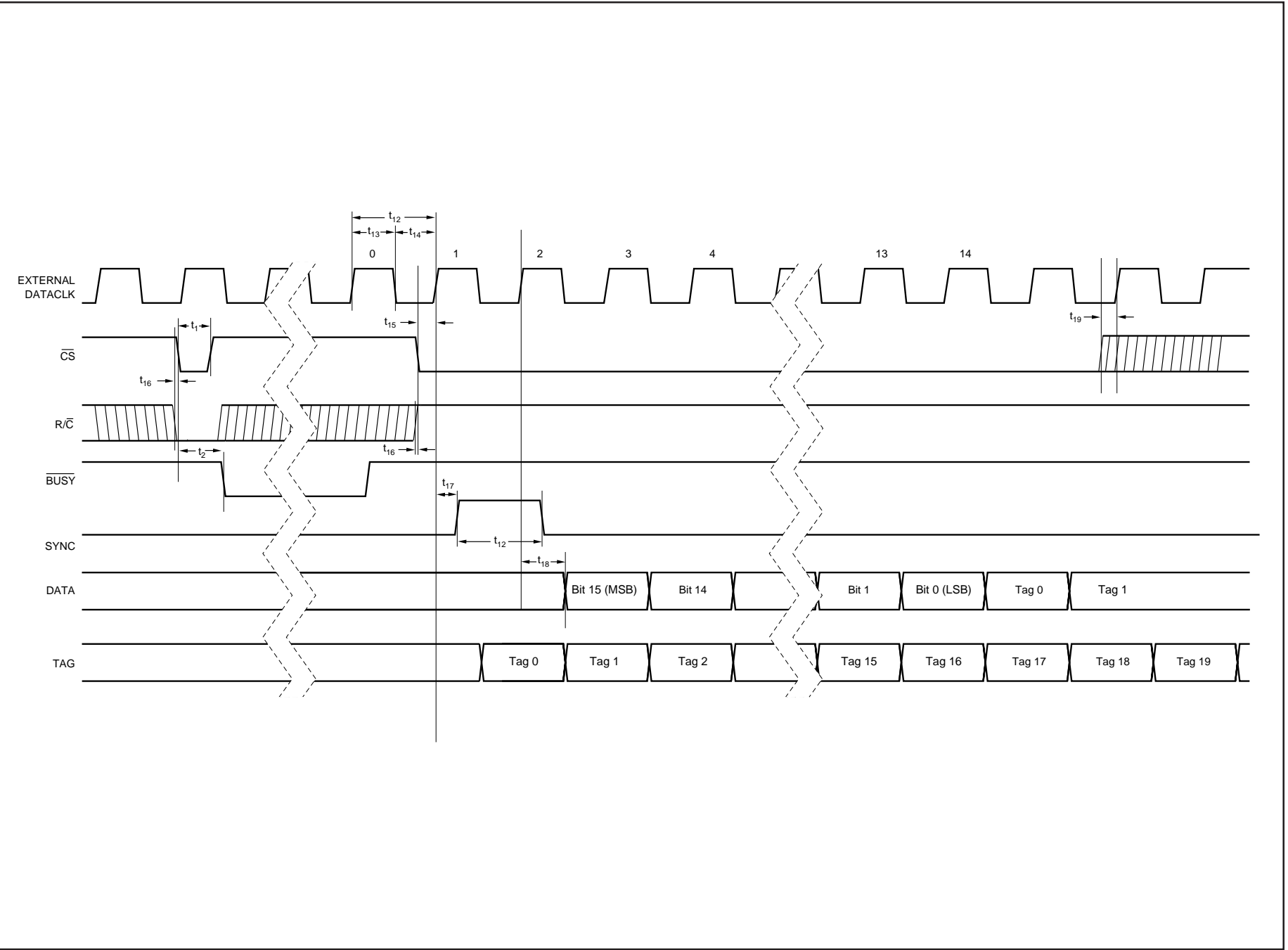


FIGURE 3a. Conversion and Read Timing with External Clock. (EXT/INT Tied High.) Read After Conversion.

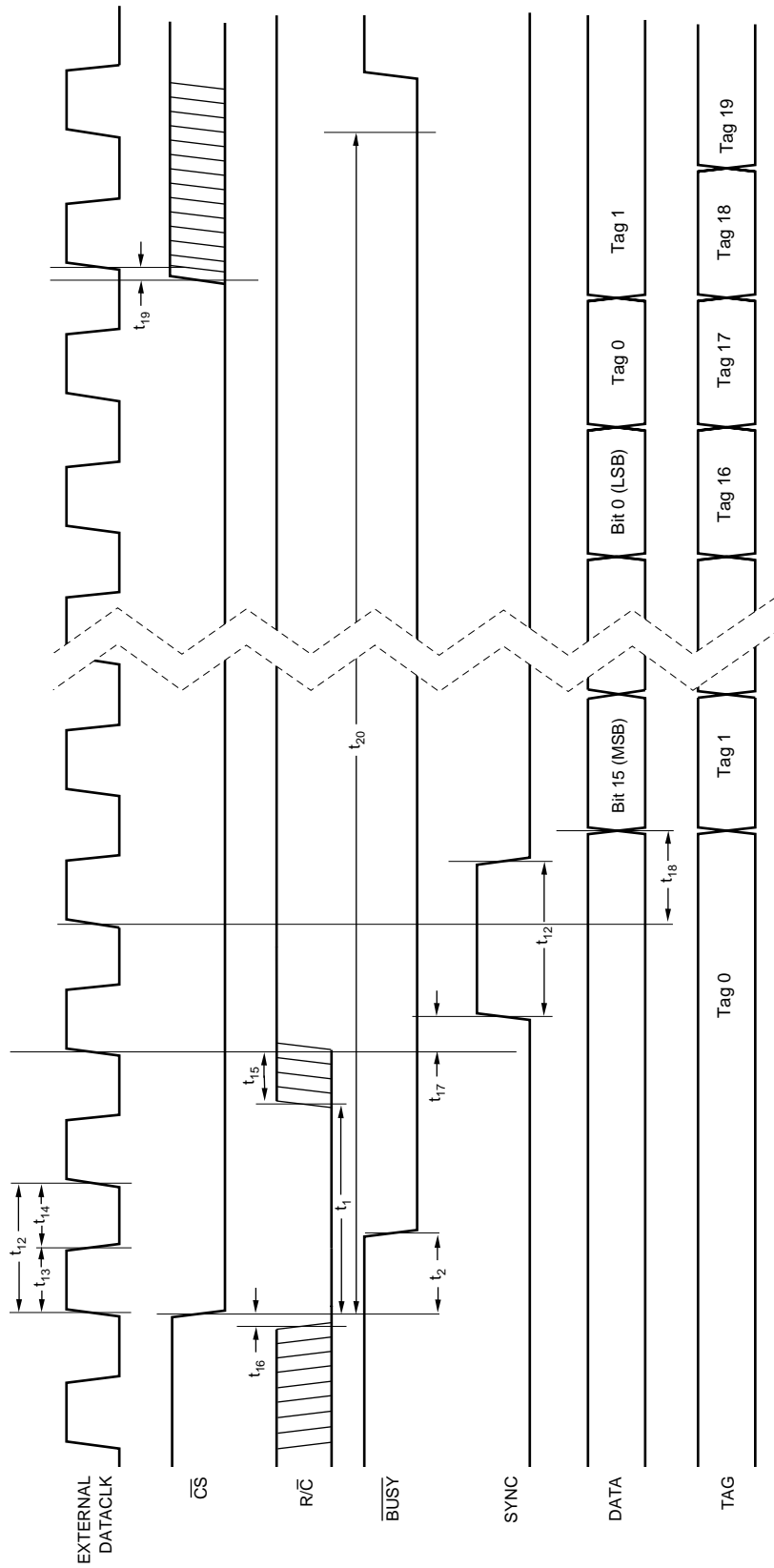


FIGURE 3b. Conversion and Read Timing with External Clock. (EXT/INT Tied High.) Read During Conversion (Previous Conversion Results).

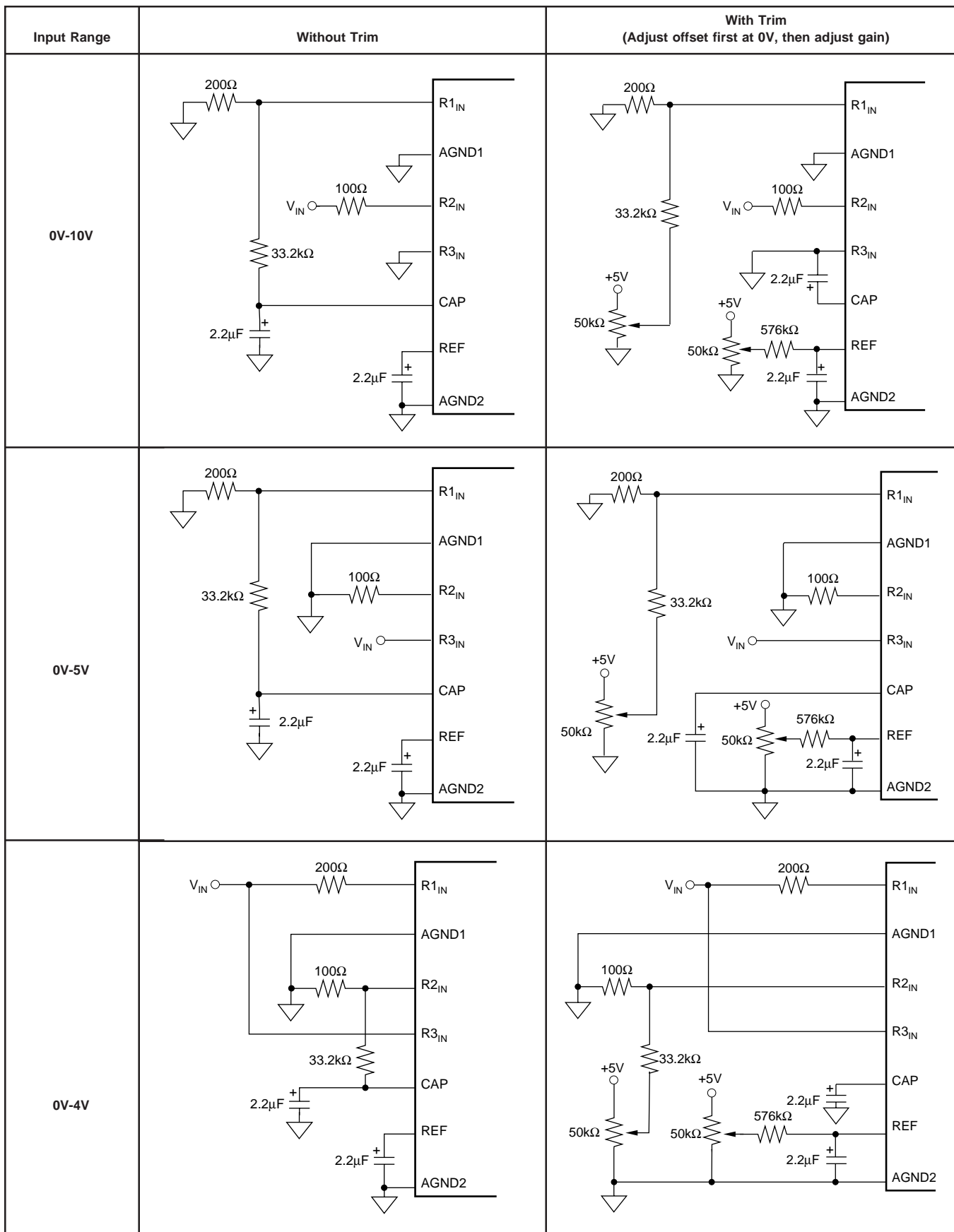


FIGURE 4a. Offset/Gain Circuits for Unipolar Input Ranges.

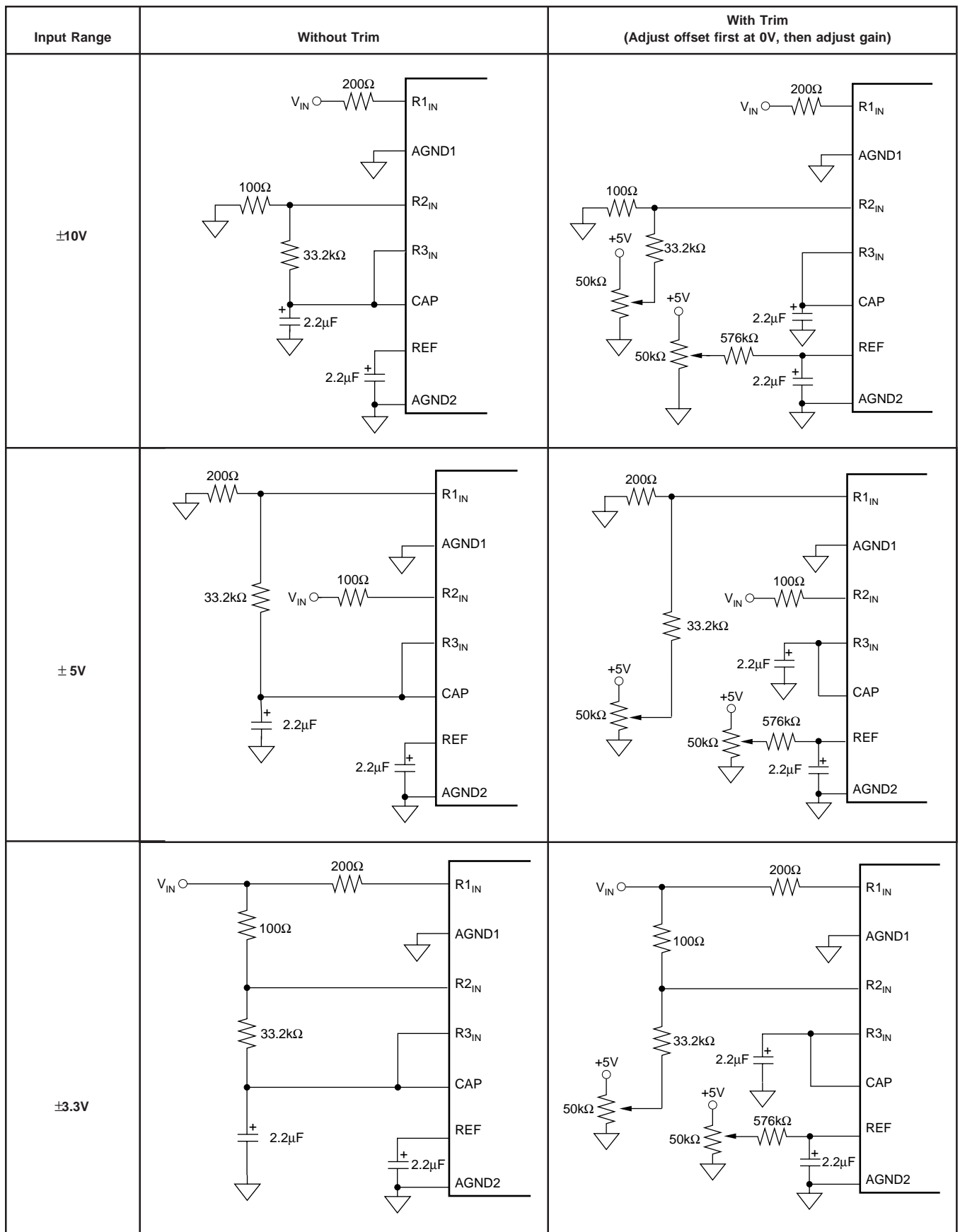


FIGURE 4b. Offset/Gain Circuits for Bipolar Input Ranges.

Revision History

DATE	REVISION	PAGE	SECTION	DESCRIPTION
10/06	C	3	Absolute Maximum Ratings	CAP and REF were switched.

NOTE: Page numbers for previous revisions may differ from page numbers in the current version.

PACKAGING INFORMATION

Orderable Device	Status ⁽¹⁾	Package Type	Package Drawing	Pins	Package Qty	Eco Plan ⁽²⁾	Lead/Ball Finish	MSL Peak Temp ⁽³⁾
ADS7809P	OBSOLETE	PDIP	N	20		TBD	Call TI	Call TI
ADS7809PB	OBSOLETE	PDIP	N	20		TBD	Call TI	Call TI
ADS7809U	NRND	SOIC	DW	20	38	Green (RoHS & no Sb/Br)	CU NIPDAU	Level-3-260C-168 HR
ADS7809U/1K	NRND	SOIC	DW	20	1000	Green (RoHS & no Sb/Br)	CU NIPDAU	Level-3-260C-168 HR
ADS7809U/1KE4	NRND	SOIC	DW	20	1000	Green (RoHS & no Sb/Br)	CU NIPDAU	Level-3-260C-168 HR
ADS7809UB	NRND	SOIC	DW	20	38	Green (RoHS & no Sb/Br)	CU NIPDAU	Level-3-260C-168 HR
ADS7809UB/1K	NRND	SOIC	DW	20	1000	Green (RoHS & no Sb/Br)	CU NIPDAU	Level-3-260C-168 HR
ADS7809UB/1KE4	NRND	SOIC	DW	20	1000	Green (RoHS & no Sb/Br)	CU NIPDAU	Level-3-260C-168 HR
ADS7809UBE4	NRND	SOIC	DW	20	38	Green (RoHS & no Sb/Br)	CU NIPDAU	Level-3-260C-168 HR
ADS7809UBG4	NRND	SOIC	DW	20	38	Green (RoHS & no Sb/Br)	CU NIPDAU	Level-3-260C-168 HR
ADS7809UE4	NRND	SOIC	DW	20	38	Green (RoHS & no Sb/Br)	CU NIPDAU	Level-3-260C-168 HR
ADS7809UG4	NRND	SOIC	DW	20	38	Green (RoHS & no Sb/Br)	CU NIPDAU	Level-3-260C-168 HR

⁽¹⁾ The marketing status values are defined as follows:

ACTIVE: Product device recommended for new designs.

LIFEBUY: TI has announced that the device will be discontinued, and a lifetime-buy period is in effect.

NRND: Not recommended for new designs. Device is in production to support existing customers, but TI does not recommend using this part in a new design.

PREVIEW: Device has been announced but is not in production. Samples may or may not be available.

OBSOLETE: TI has discontinued the production of the device.

⁽²⁾ Eco Plan - The planned eco-friendly classification: Pb-Free (RoHS), Pb-Free (RoHS Exempt), or Green (RoHS & no Sb/Br) - please check <http://www.ti.com/productcontent> for the latest availability information and additional product content details.

TBD: The Pb-Free/Green conversion plan has not been defined.

Pb-Free (RoHS): TI's terms "Lead-Free" or "Pb-Free" mean semiconductor products that are compatible with the current RoHS requirements for all 6 substances, including the requirement that lead not exceed 0.1% by weight in homogeneous materials. Where designed to be soldered at high temperatures, TI Pb-Free products are suitable for use in specified lead-free processes.

Pb-Free (RoHS Exempt): This component has a RoHS exemption for either 1) lead-based flip-chip solder bumps used between the die and package, or 2) lead-based die adhesive used between the die and leadframe. The component is otherwise considered Pb-Free (RoHS compatible) as defined above.

Green (RoHS & no Sb/Br): TI defines "Green" to mean Pb-Free (RoHS compatible), and free of Bromine (Br) and Antimony (Sb) based flame retardants (Br or Sb do not exceed 0.1% by weight in homogeneous material)

⁽³⁾ MSL, Peak Temp. -- The Moisture Sensitivity Level rating according to the JEDEC industry standard classifications, and peak solder temperature.

Important Information and Disclaimer:The information provided on this page represents TI's knowledge and belief as of the date that it is provided. TI bases its knowledge and belief on information provided by third parties, and makes no representation or warranty as to the accuracy of such information. Efforts are underway to better integrate information from third parties. TI has taken and continues to take reasonable steps to provide representative and accurate information but may not have conducted destructive testing or chemical analysis on incoming materials and chemicals. TI and TI suppliers consider certain information to be proprietary, and thus CAS numbers and other limited information may not be available for release.

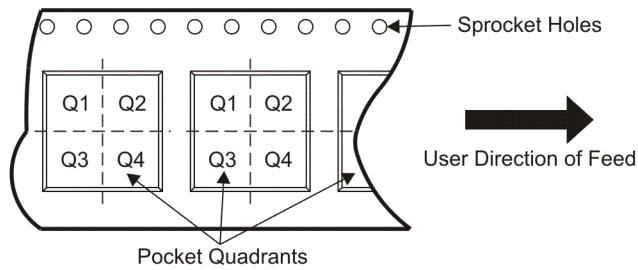
In no event shall TI's liability arising out of such information exceed the total purchase price of the TI part(s) at issue in this document sold by TI

to Customer on an annual basis.

TAPE AND REEL INFORMATION



QUADRANT ASSIGNMENTS FOR PIN 1 ORIENTATION IN TAPE



*All dimensions are nominal

Device	Package Type	Package Drawing	Pins	SPQ	Reel Diameter (mm)	Reel Width W1 (mm)	A0 (mm)	B0 (mm)	K0 (mm)	P1 (mm)	W (mm)	Pin1 Quadrant
ADS7809U/1K	SOIC	DW	20	1000	330.0	24.4	10.8	13.0	2.7	12.0	24.0	Q1
ADS7809UB/1K	SOIC	DW	20	1000	330.0	24.4	10.8	13.0	2.7	12.0	24.0	Q1

TAPE AND REEL BOX DIMENSIONS

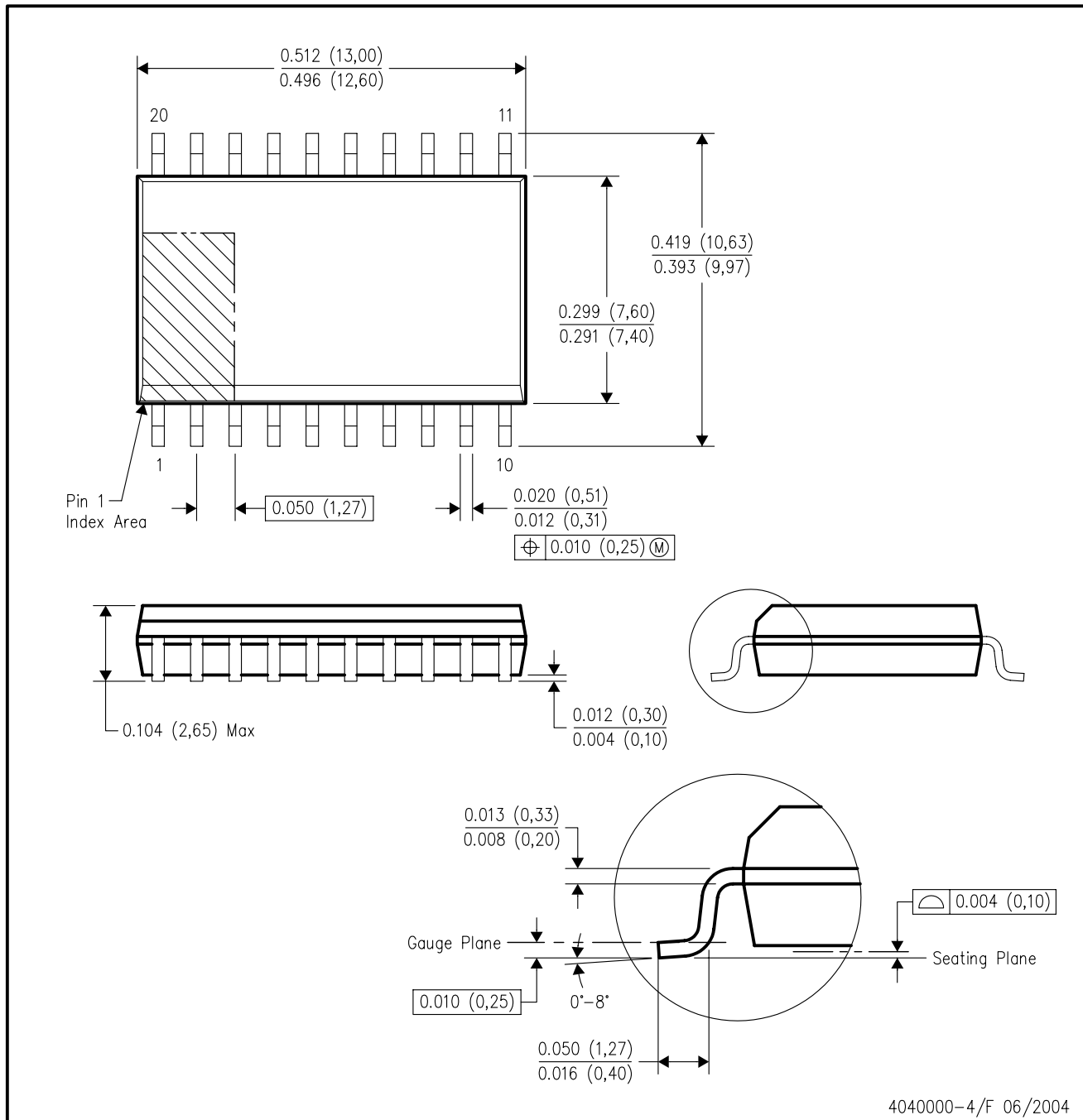


*All dimensions are nominal

Device	Package Type	Package Drawing	Pins	SPQ	Length (mm)	Width (mm)	Height (mm)
ADS7809U/1K	SOIC	DW	20	1000	346.0	346.0	41.0
ADS7809UB/1K	SOIC	DW	20	1000	346.0	346.0	41.0

DW (R-PDSO-G20)

PLASTIC SMALL-OUTLINE PACKAGE



- NOTES:
- A. All linear dimensions are in inches (millimeters).
 - B. This drawing is subject to change without notice.
 - C. Body dimensions do not include mold flash or protrusion not to exceed 0.006 (0,15).
 - D. Falls within JEDEC MS-013 variation AC.

IMPORTANT NOTICE

Texas Instruments Incorporated and its subsidiaries (TI) reserve the right to make corrections, modifications, enhancements, improvements, and other changes to its products and services at any time and to discontinue any product or service without notice. Customers should obtain the latest relevant information before placing orders and should verify that such information is current and complete. All products are sold subject to TI's terms and conditions of sale supplied at the time of order acknowledgment.

TI warrants performance of its hardware products to the specifications applicable at the time of sale in accordance with TI's standard warranty. Testing and other quality control techniques are used to the extent TI deems necessary to support this warranty. Except where mandated by government requirements, testing of all parameters of each product is not necessarily performed.

TI assumes no liability for applications assistance or customer product design. Customers are responsible for their products and applications using TI components. To minimize the risks associated with customer products and applications, customers should provide adequate design and operating safeguards.

TI does not warrant or represent that any license, either express or implied, is granted under any TI patent right, copyright, mask work right, or other TI intellectual property right relating to any combination, machine, or process in which TI products or services are used. Information published by TI regarding third-party products or services does not constitute a license from TI to use such products or services or a warranty or endorsement thereof. Use of such information may require a license from a third party under the patents or other intellectual property of the third party, or a license from TI under the patents or other intellectual property of TI.

Reproduction of TI information in TI data books or data sheets is permissible only if reproduction is without alteration and is accompanied by all associated warranties, conditions, limitations, and notices. Reproduction of this information with alteration is an unfair and deceptive business practice. TI is not responsible or liable for such altered documentation. Information of third parties may be subject to additional restrictions.

Resale of TI products or services with statements different from or beyond the parameters stated by TI for that product or service voids all express and any implied warranties for the associated TI product or service and is an unfair and deceptive business practice. TI is not responsible or liable for any such statements.

TI products are not authorized for use in safety-critical applications (such as life support) where a failure of the TI product would reasonably be expected to cause severe personal injury or death, unless officers of the parties have executed an agreement specifically governing such use. Buyers represent that they have all necessary expertise in the safety and regulatory ramifications of their applications, and acknowledge and agree that they are solely responsible for all legal, regulatory and safety-related requirements concerning their products and any use of TI products in such safety-critical applications, notwithstanding any applications-related information or support that may be provided by TI. Further, Buyers must fully indemnify TI and its representatives against any damages arising out of the use of TI products in such safety-critical applications.

TI products are neither designed nor intended for use in military/aerospace applications or environments unless the TI products are specifically designated by TI as military-grade or "enhanced plastic." Only products designated by TI as military-grade meet military specifications. Buyers acknowledge and agree that any such use of TI products which TI has not designated as military-grade is solely at the Buyer's risk, and that they are solely responsible for compliance with all legal and regulatory requirements in connection with such use.

TI products are neither designed nor intended for use in automotive applications or environments unless the specific TI products are designated by TI as compliant with ISO/TS 16949 requirements. Buyers acknowledge and agree that, if they use any non-designated products in automotive applications, TI will not be responsible for any failure to meet such requirements.

Following are URLs where you can obtain information on other Texas Instruments products and application solutions:

Products

Amplifiers	amplifier.ti.com
Data Converters	dataconverter.ti.com
DSP	dsp.ti.com
Clocks and Timers	www.ti.com/clocks
Interface	interface.ti.com
Logic	logic.ti.com
Power Mgmt	power.ti.com
Microcontrollers	microcontroller.ti.com
RFID	www.ti-rfid.com
RF/IF and ZigBee® Solutions	www.ti.com/lprf

Applications

Audio	www.ti.com/audio
Automotive	www.ti.com/automotive
Broadband	www.ti.com/broadband
Digital Control	www.ti.com/digitalcontrol
Medical	www.ti.com/medical
Military	www.ti.com/military
Optical Networking	www.ti.com/opticalnetwork
Security	www.ti.com/security
Telephony	www.ti.com/telephony
Video & Imaging	www.ti.com/video
Wireless	www.ti.com/wireless

Mailing Address: Texas Instruments, Post Office Box 655303, Dallas, Texas 75265
Copyright © 2008, Texas Instruments Incorporated