

# MC1488, SN55188, SN75188 QUADRUPLE LINE DRIVERS

SLLS094C – SEPTEMBER 1983 – REVISED MAY 2004

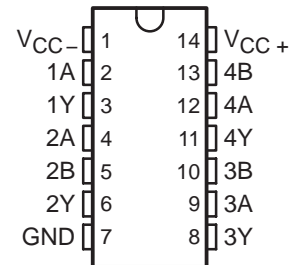
- Meet or Exceed the Requirements of ANSI TIA/EIA-232-E and ITU Recommendation V.28
- Current-Limited Output: 10 mA Typical
- Power-Off Output Impedance: 300  $\Omega$  Minimum
- Slew Rate Control by Load Capacitor
- Flexible Supply-Voltage Range
- Input Compatible With Most TTL Circuits

## description/ordering information

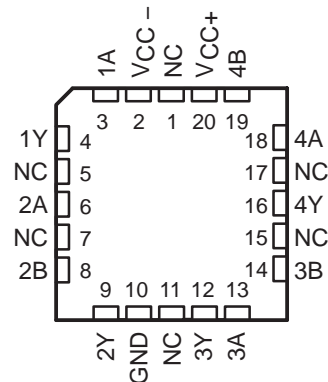
The MC1488, SN55188, and SN75188 are monolithic quadruple line drivers designed to interface data terminal equipment with data communications equipment in conformance with ANSI TIA/EIA-232-E, using a diode in series with each supply-voltage terminal as shown under typical applications.

The SN55188 is characterized for operation over the full military temperature range of  $-55^{\circ}\text{C}$  to  $125^{\circ}\text{C}$ . The MC1488 and SN75188 are characterized for operation from  $0^{\circ}\text{C}$  to  $70^{\circ}\text{C}$ .

SN55188 . . . J OR W PACKAGE  
SN75188 . . . D, N, OR NS PACKAGE  
MC1488 . . . N PACKAGE  
(TOP VIEW)



SN55188 . . . FK PACKAGE  
(TOP VIEW)



NC – No internal connection

## ORDERING INFORMATION

T <sub>A</sub>	PACKAGE†		ORDERABLE PART NUMBER	TOP-SIDE MARKING
0°C to 70°C	PDIP (N)	Tube of 25	MC1488N	MC1488N
		Tube of 25	SN75188N	SN75188N
	SOIC (D)	Tube of 50	SN75188D	SN75188
		Reel of 2500	SN75188DR	
	SOP (NS)	Reel of 2000	SN75188NSR	SN75188
$-55^{\circ}\text{C}$ to $125^{\circ}\text{C}$	CDIP (J)	Tube of 25	SN55188J	SN55188J
			SNJ55188J	SNJ55188J
	CFP (W)	Tube of 150	SNJ55188W	SNJ55188W
LCCC (FK)	Tube of 55	SNJ55188FK	SNJ55188FK	

† Package drawings, standard packing quantities, thermal data, symbolization, and PCB design guidelines are available at [www.ti.com/sc/package](http://www.ti.com/sc/package).



Please be aware that an important notice concerning availability, standard warranty, and use in critical applications of Texas Instruments semiconductor products and disclaimers thereto appears at the end of this data sheet.

PRODUCTION DATA information is current as of publication date. Products conform to specifications per the terms of Texas Instruments standard warranty. Production processing does not necessarily include testing of all parameters.

 **TEXAS  
INSTRUMENTS**

POST OFFICE BOX 655303 • DALLAS, TEXAS 75265

Copyright © 2004, Texas Instruments Incorporated  
On products compliant to MIL-PRF-38535, all parameters are tested unless otherwise noted. On all other products, production processing does not necessarily include testing of all parameters.

# MC1488, SN55188, SN75188 QUADRUPLE LINE DRIVERS

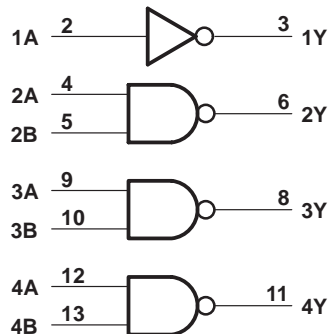
SLLS094C – SEPTEMBER 1983 – REVISED MAY 2004

**FUNCTION TABLE**  
(drivers 2–4)

A	B	Y
H	H	L
L	X	H
X	L	H

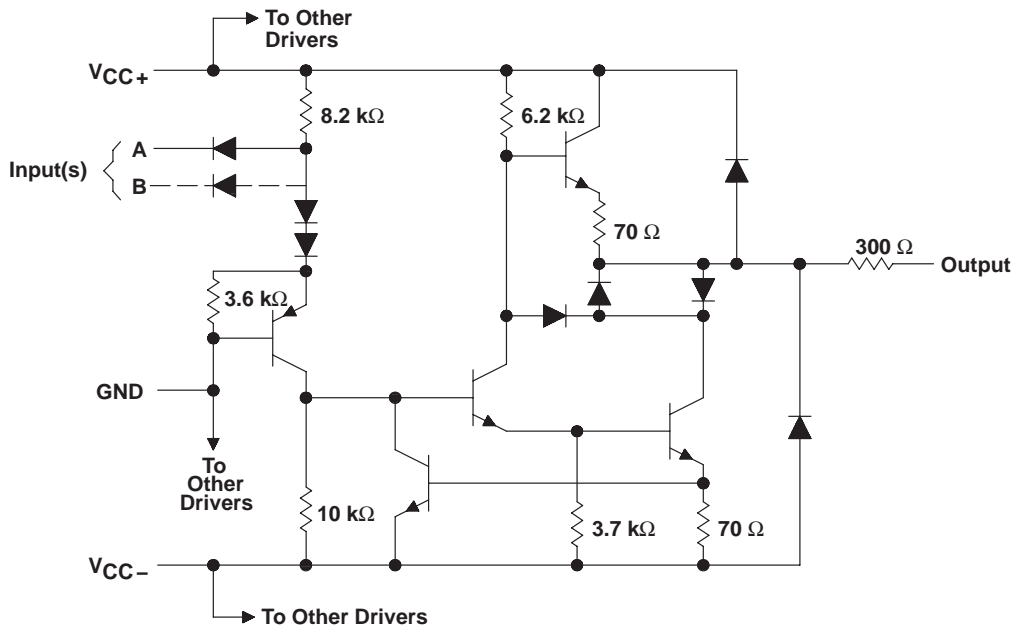
H = high level, L = low level,  
X = irrelevant

## logic diagram (positive logic)



Positive logic  
 $Y = \overline{A}$  (driver 1)  
 $Y = AB$  or  $\overline{A} + \overline{B}$  (drivers 2 thru 4)

## schematic (each driver)



Resistor values shown are nominal.

## absolute maximum ratings over operating free-air temperature (unless otherwise noted)†

Supply voltage, $V_{CC+}$ at (or below) 25°C free-air temperature (see Notes 1 and 2)	15 V
Supply voltage, $V_{CC-}$ at (or below) 25°C free-air temperature (see Notes 1 and 2)	–15 V
Input voltage, $V_I$	–15 V to 7 V
Output voltage, $V_O$	–15 V to 15 V
Continuous total power dissipation (see Note 2)	See Dissipation Rating Table
Package thermal impedance, $\theta_{JA}$ (see Notes 3 and 4): D package	86°C/W
N package	80°C/W
NS package	76°C/W
Operating virtual junction temperature, $T_J$	150°C
Case temperature for 60 seconds, FK package	260°C
Lead temperature 1,6 mm (1/16 inch) from case for 60 seconds: J or W package	300°C
Storage temperature range, $T_{stg}$	–65°C to 150°C

† Stresses beyond those listed under “absolute maximum ratings” may cause permanent damage to the device. These are stress ratings only, and functional operation of the device at these or any other conditions beyond those indicated under “recommended operating conditions” is not implied. Exposure to absolute-maximum-rated conditions for extended periods may affect device reliability.

- NOTES:
1. All voltage values are with respect to the network ground terminal.
  2. For operation above 25°C free-air temperature, refer to the maximum supply voltage curve, Figure 6. In the J package, SN55188 chips are alloy mounted.
  3. Maximum power dissipation is a function of  $T_J(\max)$ ,  $\theta_{JA}$ , and  $T_A$ . The maximum allowable power dissipation at any allowable ambient temperature is  $P_D = (T_J(\max) - T_A)/\theta_{JA}$ . Selecting the maximum of 150°C can affect reliability.
  4. The package thermal impedance is calculated in accordance with JESD 51-7.

**DISSIPATION RATING TABLE**

PACKAGE	$T_A \leq 25^\circ\text{C}$ POWER RATING	DERATING FACTOR ABOVE $T_A = 25^\circ\text{C}$	$T_A = 70^\circ\text{C}$ POWER RATING	$T_A = 125^\circ\text{C}$ POWER RATING
FK	1375 mW	11.0 mW/°C	880 mW	275 mW
J	1375 mW	11.0 mW/°C	880 mW	275 mW
W	1000 mW	8.0 mW/°C	640 mW	200 mW

## recommended operating conditions

		SN55188			MC1488, SN75188			UNIT
		MIN	NOM	MAX	MIN	NOM	MAX	
$V_{CC+}$	Supply voltage	7.5	9	15	7.5	9	15	V
$V_{CC-}$	Supply voltage	–7.5	–9	–15	–7.5	–9	–15	V
$V_{IH}$	High-level input voltage	1.9			1.9			V
$V_{IL}$	Low-level input voltage			0.8			0.8	V
$T_A$	Operating free-air temperature	–55		125	0		70	°C

# MC1488, SN55188, SN75188 QUADRUPLE LINE DRIVERS

SLLS094C – SEPTEMBER 1983 – REVISED MAY 2004

electrical characteristics over operating free-air temperature range,  $V_{CC\pm} = \pm 9\text{ V}$  (unless otherwise noted)

PARAMETER	TEST CONDITIONS		SN55188			MC1488, SN75188			UNIT
			MIN	TYP†	MAX	MIN	TYP†	MAX	
$V_{OH}$ High-level output voltage	$V_{IL} = 0.8\text{ V}$ , $R_L = 3\text{ k}\Omega$	$V_{CC+} = 9\text{ V}$ , $V_{CC-} = -9\text{ V}$	6	7		6	7		V
		$V_{CC+} = 13.2\text{ V}$ , $V_{CC-} = -13.2\text{ V}$	9	10.5		9	10.5		
$V_{OL}$ Low-level output voltage	$V_{IH} = 1.9\text{ V}$ , $R_L = 3\text{ k}\Omega$	$V_{CC+} = 9\text{ V}$ , $V_{CC-} = -9\text{ V}$		-7‡	-6		-7	-6	V
		$V_{CC+} = 13.2\text{ V}$ , $V_{CC-} = -13.2\text{ V}$		-10.5‡	-9		-10.5	-9	
$I_{IH}$ High-level input current	$V_I = 5\text{ V}$				10			10	$\mu\text{A}$
$I_{IL}$ Low-level input current	$V_I = 0$			-1	-1.6		-1	-1.6	mA
$I_{OS(H)}$ Short-circuit output current at high level§	$V_I = 0.8\text{ V}$	$V_O = 0$	-4.6	-9	-13.5	-6	-9	-12	mA
$I_{OS(L)}$ Short-circuit output current at low level§	$V_I = 1.9\text{ V}$	$V_O = 0$	4.6	9	13.5	6	9	12	mA
$r_o$ Output resistance, power off	$V_{CC+} = 0$ , $V_{CC-} = 0$ , $V_O = -2\text{ V to } 2\text{ V}$		300			300			$\Omega$
$I_{CC+}$ Supply current from $V_{CC+}$	$V_{CC+} = 9\text{ V}$ , No load	All inputs at 1.9 V	15 20		15 20				mA
		All inputs at 0.8 V	4.5 6		4.5 6				
	$V_{CC+} = 12\text{ V}$ , No load	All inputs at 1.9 V	19 25		19 25				
		All inputs at 0.8 V	5.5 7		5.5 7				
	$V_{CC+} = 15\text{ V}$ , No load, $T_A = 25^\circ\text{C}$	All inputs at 1.9 V	34		34				
		All inputs at 0.8 V	12		12				
$I_{CC-}$ Supply current from $I_{CC-}$	$V_{CC-} = -9\text{ V}$ , No load	All inputs at 1.9 V	-13 -17		-13 -17				mA
		All inputs at 0.8 V	-0.5		-0.015				
	$V_{CC-} = -12\text{ V}$ , No load	All inputs at 1.9 V	-18 -23		-18 -23				
		All inputs at 0.8 V	-0.5		-0.015				
	$V_{CC-} = -15\text{ V}$ , No load, $T_A = 25^\circ\text{C}$	All inputs at 1.9 V	-34		-34				
		All inputs at 0.8 V	-2.5		-2.5				
$P_D$ Total power dissipation	$V_{CC+} = 9\text{ V}$ , No load		333			333			mW
	$V_{CC+} = 12\text{ V}$ , No load		576			576			

† All typical values are at  $T_A = 25^\circ\text{C}$ .

‡ The algebraic convention, in which the less positive (more negative) limit is designated as minimum, is used in this data sheet for logic voltage levels only, e.g., if  $-6\text{ V}$  is a maximum, the typical value is a more negative voltage.

§ Not more than one output should be shorted at a time.



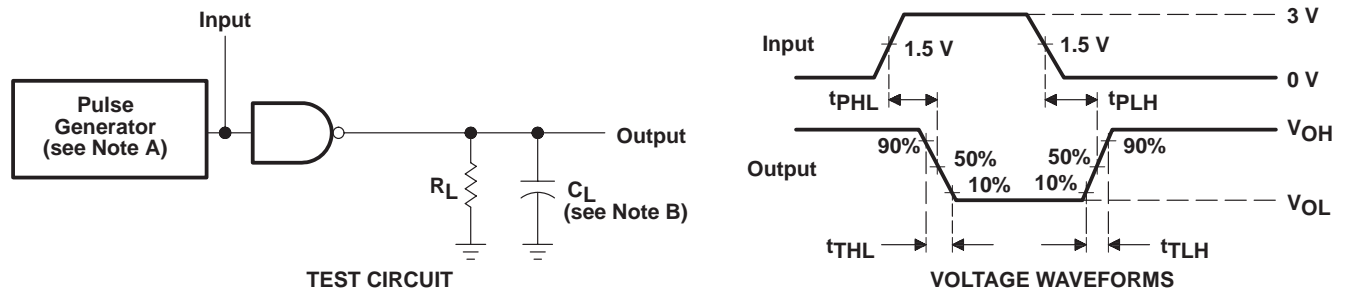
switching characteristics,  $V_{CC\pm} = \pm 9\text{ V}$ ,  $T_A = 25^\circ\text{C}$

PARAMETER	TEST CONDITIONS	MIN	TYP	MAX	UNIT
$t_{PLH}$ Propagation delay time, low- to high-level output	$R_L = 3\text{ k}\Omega$ , See Figure 1 $C_L = 15\text{ pF}$		220	350	ns
$t_{PHL}$ Propagation delay time, high- to low-level output			100	175	ns
$t_{TLH}$ Transition time, low- to high-level output <sup>†</sup>			55	100	ns
$t_{THL}$ Transition time, high- to low-level output <sup>†</sup>			45	75	ns
$t_{TLH}$ Transition time, low- to high-level output <sup>‡</sup>	$R_L = 3\text{ k}\Omega$ to $7\text{ k}\Omega$ , See Figure 1 $C_L = 2500\text{ pF}$		2.5		$\mu\text{s}$
$t_{THL}$ Transition time, high- to low-level output <sup>‡</sup>			3.0		$\mu\text{s}$

<sup>†</sup> Measured between 10% and 90% points of output waveform

<sup>‡</sup> Measured between 3 V and  $-3\text{ V}$  points on the output waveform (TIA/EIA-232-E conditions)

## PARAMETER MEASUREMENT INFORMATION



- NOTES: A. The pulse generator has the following characteristics:  $t_w = 0.5\ \mu\text{s}$ ,  $\text{PRR} \leq 1\ \text{MHz}$ ,  $Z_O = 50\ \Omega$ .  
B.  $C_L$  includes probe and jig capacitance.

Figure 1. Test Circuit and Voltage Waveforms

TYPICAL CHARACTERISTICS†

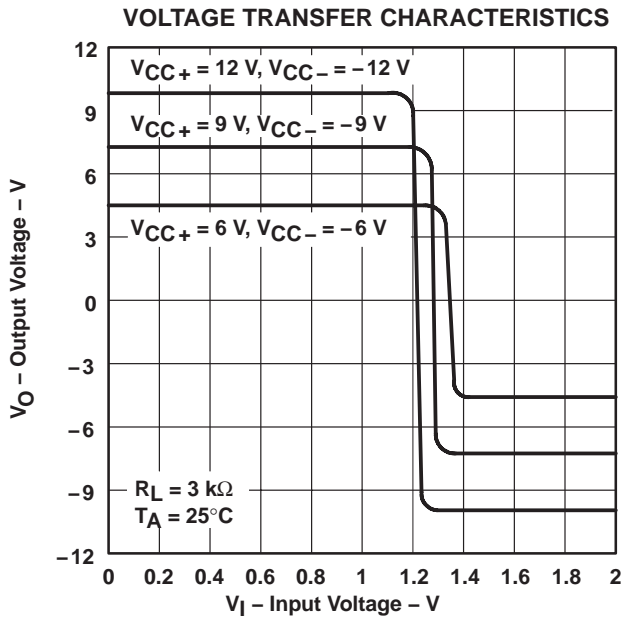


Figure 2

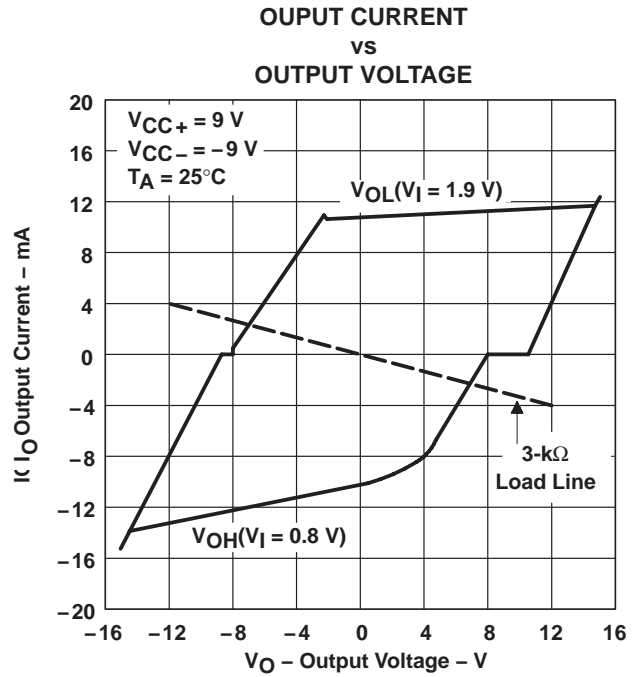


Figure 3

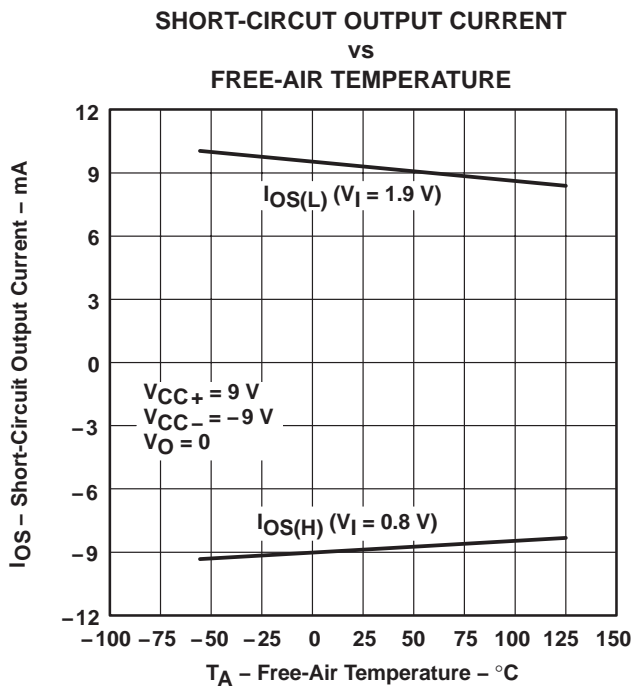


Figure 4

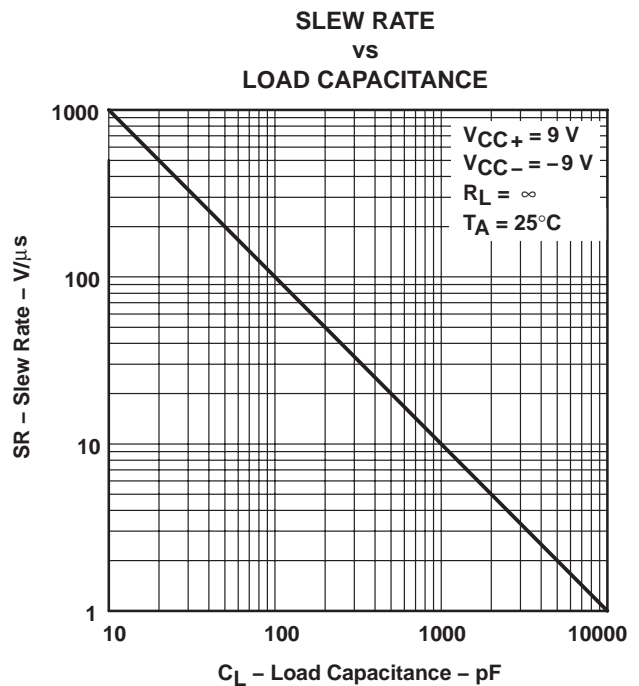


Figure 5

† Data for temperatures below 0°C and above 70°C are applicable to SN55188 circuit only.

THERMAL INFORMATION†

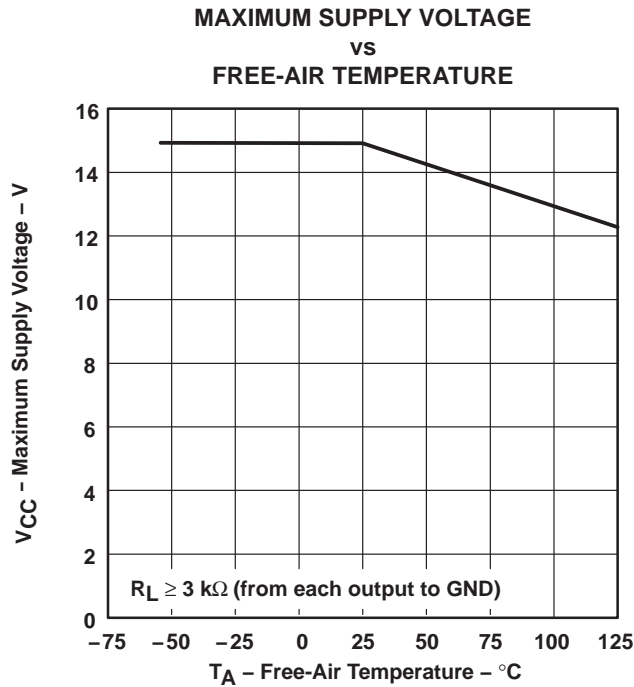


Figure 6

APPLICATION INFORMATION

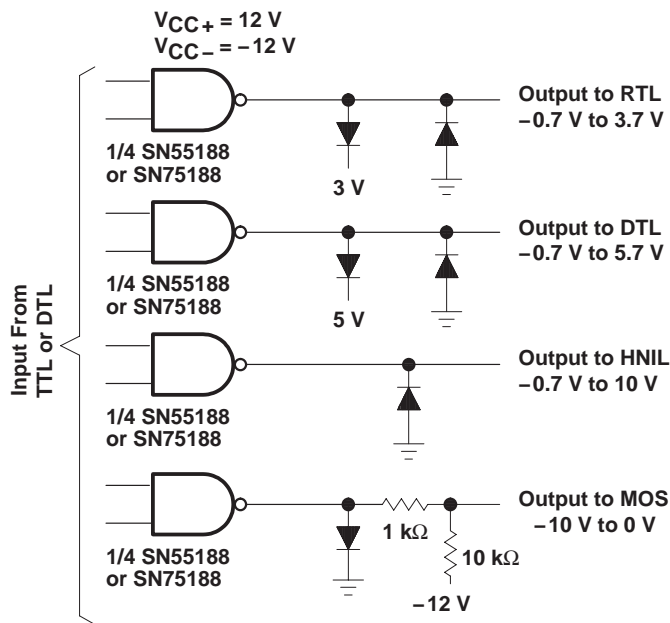
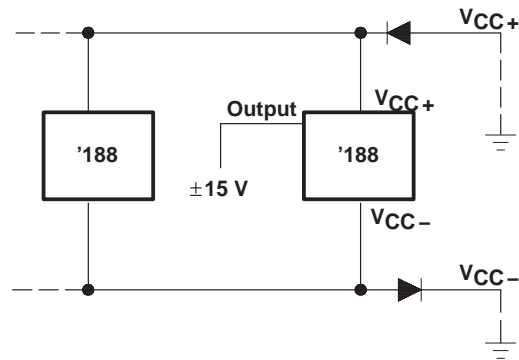


Figure 7. Logic Translator Applications



Diodes placed in series with the  $V_{CC+}$  and  $V_{CC-}$  leads protect the SN55188/SN75188 in the fault condition in which the device outputs are shorted to  $\pm 15\text{ V}$ , and the power supplies are at low voltage and provide low-impedance paths to ground.

Figure 8. Power-Supply Protection to Meet  
Power-Off Fault Conditions of  
ANSI TIA/EIA-232-E

**PACKAGING INFORMATION**

Orderable Device	Status <sup>(1)</sup>	Package Type	Package Drawing	Pins	Package Qty	Eco Plan <sup>(2)</sup>	Lead/Ball Finish	MSL Peak Temp <sup>(3)</sup>
5962-86889012A	ACTIVE	LCCC	FK	20	1	TBD	POST-PLATE	Level-NC-NC-NC
5962-8688901CA	ACTIVE	CDIP	J	14	1	TBD	A42 SNPB	Level-NC-NC-NC
5962-8688901DA	ACTIVE	CFP	W	14	1	TBD	A42 SNPB	Level-NC-NC-NC
MC1488N	ACTIVE	PDIP	N	14	25	Pb-Free (RoHS)	CU NIPDAU	Level-NC-NC-NC
SN55188J	ACTIVE	CDIP	J	14	1	TBD	A42 SNPB	Level-NC-NC-NC
SN75188D	ACTIVE	SOIC	D	14	50	Pb-Free (RoHS)	CU NIPDAU	Level-2-260C-1 YEAR/ Level-1-235C-UNLIM
SN75188DE4	ACTIVE	SOIC	D	14	50	Pb-Free (RoHS)	CU NIPDAU	Level-2-260C-1 YEAR/ Level-1-235C-UNLIM
SN75188DR	ACTIVE	SOIC	D	14	2500	Pb-Free (RoHS)	CU NIPDAU	Level-2-260C-1 YEAR/ Level-1-235C-UNLIM
SN75188DRE4	ACTIVE	SOIC	D	14	2500	Pb-Free (RoHS)	CU NIPDAU	Level-2-260C-1 YEAR/ Level-1-235C-UNLIM
SN75188N	ACTIVE	PDIP	N	14	25	Pb-Free (RoHS)	CU NIPDAU	Level-NC-NC-NC
SN75188NE4	ACTIVE	PDIP	N	14	25	Pb-Free (RoHS)	CU NIPDAU	Level-NC-NC-NC
SN75188NSR	ACTIVE	SO	NS	14	2000	Green (RoHS & no Sb/Br)	CU NIPDAU	Level-1-260C-UNLIM
SN75188NSRE4	ACTIVE	SO	NS	14	2000	Green (RoHS & no Sb/Br)	CU NIPDAU	Level-1-260C-UNLIM
SNJ55188FK	ACTIVE	LCCC	FK	20	1	TBD	POST-PLATE	Level-NC-NC-NC
SNJ55188J	ACTIVE	CDIP	J	14	1	TBD	A42 SNPB	Level-NC-NC-NC
SNJ55188W	ACTIVE	CFP	W	14	1	TBD	A42 SNPB	Level-NC-NC-NC

<sup>(1)</sup> The marketing status values are defined as follows:

**ACTIVE:** Product device recommended for new designs.

**LIFEBUY:** TI has announced that the device will be discontinued, and a lifetime-buy period is in effect.

**NRND:** Not recommended for new designs. Device is in production to support existing customers, but TI does not recommend using this part in a new design.

**PREVIEW:** Device has been announced but is not in production. Samples may or may not be available.

**OBSOLETE:** TI has discontinued the production of the device.

<sup>(2)</sup> Eco Plan - The planned eco-friendly classification: Pb-Free (RoHS) or Green (RoHS & no Sb/Br) - please check <http://www.ti.com/productcontent> for the latest availability information and additional product content details.

**TBD:** The Pb-Free/Green conversion plan has not been defined.

**Pb-Free (RoHS):** TI's terms "Lead-Free" or "Pb-Free" mean semiconductor products that are compatible with the current RoHS requirements for all 6 substances, including the requirement that lead not exceed 0.1% by weight in homogeneous materials. Where designed to be soldered at high temperatures, TI Pb-Free products are suitable for use in specified lead-free processes.

**Green (RoHS & no Sb/Br):** TI defines "Green" to mean Pb-Free (RoHS compatible), and free of Bromine (Br) and Antimony (Sb) based flame retardants (Br or Sb do not exceed 0.1% by weight in homogeneous material)

<sup>(3)</sup> MSL, Peak Temp. -- The Moisture Sensitivity Level rating according to the JEDEC industry standard classifications, and peak solder temperature.

**Important Information and Disclaimer:** The information provided on this page represents TI's knowledge and belief as of the date that it is provided. TI bases its knowledge and belief on information provided by third parties, and makes no representation or warranty as to the accuracy of such information. Efforts are underway to better integrate information from third parties. TI has taken and continues to take reasonable steps to provide representative and accurate information but may not have conducted destructive testing or chemical analysis on incoming materials and chemicals. TI and TI suppliers consider certain information to be proprietary, and thus CAS numbers and other limited information may not be available for release.

In no event shall TI's liability arising out of such information exceed the total purchase price of the TI part(s) at issue in this document sold by TI to Customer on an annual basis.

J (R-GDIP-T\*\*)

14 LEADS SHOWN

CERAMIC DUAL IN-LINE PACKAGE



DIM \ PINS **	14	16	18	20
A	0.300 (7,62) BSC	0.300 (7,62) BSC	0.300 (7,62) BSC	0.300 (7,62) BSC
B MAX	0.785 (19,94)	.840 (21,34)	0.960 (24,38)	1.060 (26,92)
B MIN	—	—	—	—
C MAX	0.300 (7,62)	0.300 (7,62)	0.310 (7,87)	0.300 (7,62)
C MIN	0.245 (6,22)	0.245 (6,22)	0.220 (5,59)	0.245 (6,22)



4040083/F 03/03

- NOTES:
- All linear dimensions are in inches (millimeters).
  - This drawing is subject to change without notice.
  - This package is hermetically sealed with a ceramic lid using glass frit.
  - Index point is provided on cap for terminal identification only on press ceramic glass frit seal only.
  - Falls within MIL STD 1835 GDIP1-T14, GDIP1-T16, GDIP1-T18 and GDIP1-T20.



FK (S-CQCC-N\*\*)

LEADLESS CERAMIC CHIP CARRIER

28 TERMINAL SHOWN



- NOTES:
- A. All linear dimensions are in inches (millimeters).
  - B. This drawing is subject to change without notice.
  - C. This package can be hermetically sealed with a metal lid.
  - D. The terminals are gold plated.
  - E. Falls within JEDEC MS-004





# MECHANICAL DATA

NS (R-PDSO-G\*\*)

PLASTIC SMALL-OUTLINE PACKAGE

14-PINS SHOWN



- NOTES:
- A. All linear dimensions are in millimeters.
  - B. This drawing is subject to change without notice.
  - C. Body dimensions do not include mold flash or protrusion, not to exceed 0,15.

## IMPORTANT NOTICE

Texas Instruments Incorporated and its subsidiaries (TI) reserve the right to make corrections, modifications, enhancements, improvements, and other changes to its products and services at any time and to discontinue any product or service without notice. Customers should obtain the latest relevant information before placing orders and should verify that such information is current and complete. All products are sold subject to TI's terms and conditions of sale supplied at the time of order acknowledgment.

TI warrants performance of its hardware products to the specifications applicable at the time of sale in accordance with TI's standard warranty. Testing and other quality control techniques are used to the extent TI deems necessary to support this warranty. Except where mandated by government requirements, testing of all parameters of each product is not necessarily performed.

TI assumes no liability for applications assistance or customer product design. Customers are responsible for their products and applications using TI components. To minimize the risks associated with customer products and applications, customers should provide adequate design and operating safeguards.

TI does not warrant or represent that any license, either express or implied, is granted under any TI patent right, copyright, mask work right, or other TI intellectual property right relating to any combination, machine, or process in which TI products or services are used. Information published by TI regarding third-party products or services does not constitute a license from TI to use such products or services or a warranty or endorsement thereof. Use of such information may require a license from a third party under the patents or other intellectual property of the third party, or a license from TI under the patents or other intellectual property of TI.

Reproduction of information in TI data books or data sheets is permissible only if reproduction is without alteration and is accompanied by all associated warranties, conditions, limitations, and notices. Reproduction of this information with alteration is an unfair and deceptive business practice. TI is not responsible or liable for such altered documentation.

Resale of TI products or services with statements different from or beyond the parameters stated by TI for that product or service voids all express and any implied warranties for the associated TI product or service and is an unfair and deceptive business practice. TI is not responsible or liable for any such statements.

Following are URLs where you can obtain information on other Texas Instruments products and application solutions:

<b>Products</b>		<b>Applications</b>	
Amplifiers	<a href="http://amplifier.ti.com">amplifier.ti.com</a>	Audio	<a href="http://www.ti.com/audio">www.ti.com/audio</a>
Data Converters	<a href="http://dataconverter.ti.com">dataconverter.ti.com</a>	Automotive	<a href="http://www.ti.com/automotive">www.ti.com/automotive</a>
DSP	<a href="http://dsp.ti.com">dsp.ti.com</a>	Broadband	<a href="http://www.ti.com/broadband">www.ti.com/broadband</a>
Interface	<a href="http://interface.ti.com">interface.ti.com</a>	Digital Control	<a href="http://www.ti.com/digitalcontrol">www.ti.com/digitalcontrol</a>
Logic	<a href="http://logic.ti.com">logic.ti.com</a>	Military	<a href="http://www.ti.com/military">www.ti.com/military</a>
Power Mgmt	<a href="http://power.ti.com">power.ti.com</a>	Optical Networking	<a href="http://www.ti.com/opticalnetwork">www.ti.com/opticalnetwork</a>
Microcontrollers	<a href="http://microcontroller.ti.com">microcontroller.ti.com</a>	Security	<a href="http://www.ti.com/security">www.ti.com/security</a>
		Telephony	<a href="http://www.ti.com/telephony">www.ti.com/telephony</a>
		Video & Imaging	<a href="http://www.ti.com/video">www.ti.com/video</a>
		Wireless	<a href="http://www.ti.com/wireless">www.ti.com/wireless</a>

Mailing Address: Texas Instruments  
Post Office Box 655303 Dallas, Texas 75265