



TRI

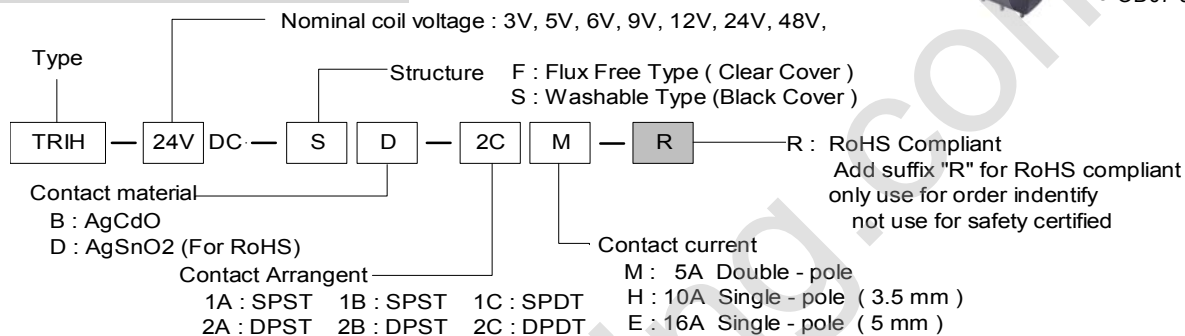
➤ MAIN FEATURES

- Miniature heavy-duty relays
- Single-Pole, 10 Amp PC Board
- SPST and SPDT configurations
- 5KV dielectric coil to contacts
- Sealed & Unsealed types available
- UL, cUL and TUV recognized.

➤ APPLICATIONS

- Microwave Ovens, Facsimiles, Refrigerators
- Air Conditioners, Stereo Equipment,
- Copier, TV Set, Vending Machines,
- Temperature Controllers, etc.

➤ ORDERING INFORMATION



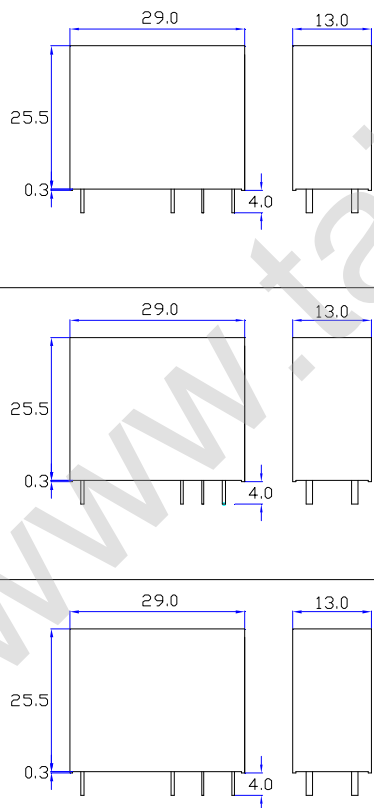
Option Socket :

Please refer appendix P102

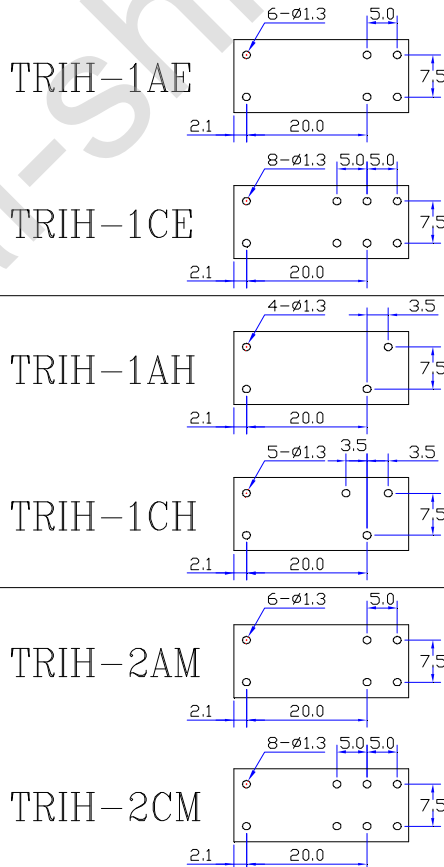


- OD07-0017A
- OD07-0018A
- OD07-0019A
- OD07-0020A

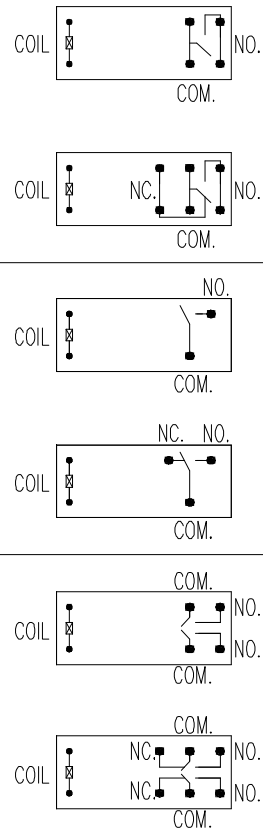
■ DIMENSION (unit:mm)



■ DRILLING (unit:mm)



■ WIRING DIAGRAM



➤ COIL DATA CHART(AT20°C)

Nominal Voltage (VDC)	Nominal Current (mA ±10%)	Coil Resistance (Ω ±10%)	Power Consumption (mW)	Pick-Up Voltage VDC(Max.)	Drop-out Voltage VDC(Min.)	allowable Voltage VDC (Max.)
3	176	17	Approx. 530	80% Max.	10% Min. of nominal voltage	110% of nominal voltage
5	106	47				
6	88.2	68				
9	56.2	160				
12	43.6	275				
24	21.8	1100±15%				
48	11.5	4170±15%				

➤ CONTACT RATING

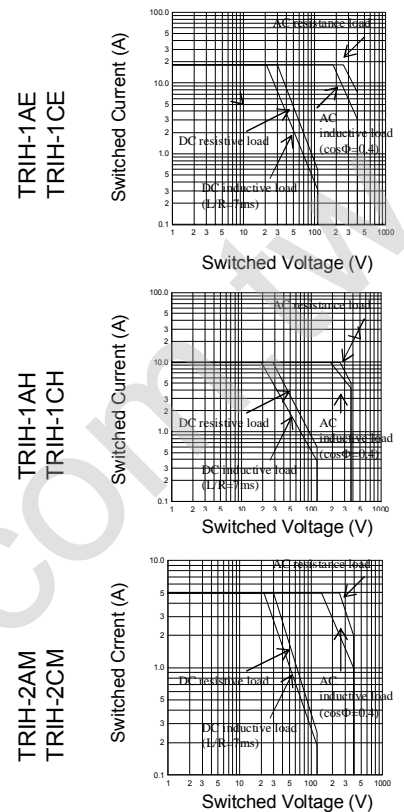
Item	Arrangement	E-Type		H-Type		M-Type	
		SPST-NO. (1 Form A)	SPDT (1 Form C)	SPST-NO. (1 Form A)	SPDT (1 Form C)	DPST-NO. (2 Form A)	DPDT (2 Form C)
Resistive load (cosφ=1)	UL	16A 277VAC 20A 24VDC 12A 277VAC 1HP 240VAC 20A 277VAC(N.O.) TV-8 125VAC(N.O.)		10A 277VAC 10A 30VDC TV-5 125VAC 1/3HP 250VAC 1/4HP 125VAC		10A 250VAC 10A 30VDC 8A 30VDC TV-3 125VAC 1/4HP 240VAC 1/8HP 120VAC	
	TUV	16A 250VAC 16A 30VDC		10A 250VAC 10A 30VDC		5A 250VAC 5A 30VDC	
Carrying current		16A		10A		5A	
Max. switching voltage		277VAC, 30VDC		277VAC, 30VDC		250VAC, 30VDC	
Max. switching current		16A		10A		5A	
Max. switching power		4000VA 300W	2000VA 192W	2500VA 300W	1875VA 150W	1250VA 150W	500VA 90W
Min. permissible load		DC 5V 100mA				DC 5V 10mA	
Contact material		Ag Alloy					

➤ PERFORMANCE (at initial value)

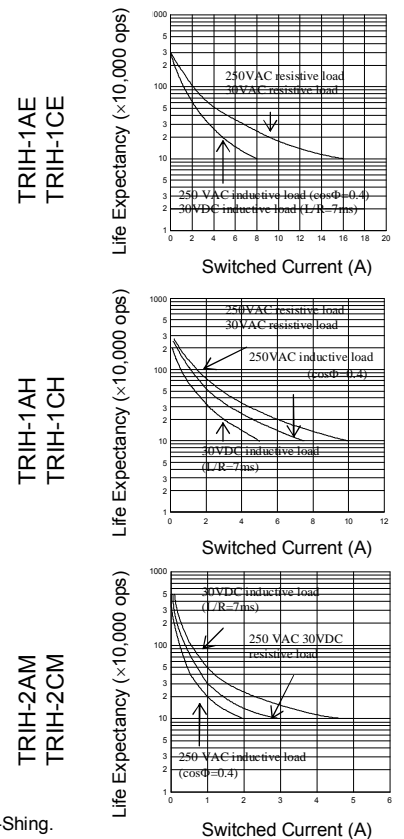
Item	Type	TRI-H
Contact Resistance		50mΩ Max.
Operation time		15msec Max. (at nominal voltage)
Release time		10msec Max. (at nominal voltage)
Dielectric strength	between coil & contact. between contact sets. between open contacts.	5000VAC. for 1minute 3000VAC. for 1minute 1000VAC. for 1minute
Insulation Resistance		100MΩ Min. (at 500VDC)
Operating frequency		20 ops/minute
Ambient temperature		
Storage		-40°C to +70°C
Operating		-40°C to +70°C
Humidity		35% to 85% RH
Vibration resistance		10 to 55 Hz, 1.5mm double amplitude
Shock resistance		
Functional :		98m/s ²
Destructive :		980m/s ²
Life expectancy		
Mechanical :		1 x 10 ⁷ operations
Electrical :		1 x 10 ⁵ operations (at rated load)
Weight		Approx. 18grs.
UL & cUL		E156406
TUV		R50053235 / R50058882 / R50058874

➤ REFERENCE DATA

Maximum Switched Power



Electrical Life Expectancy



This datasheet for reference and subject to change without notice. Please double check final specification with Tai-Shing. (0939AA08VOL01)