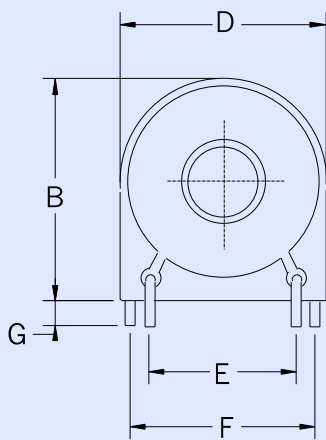




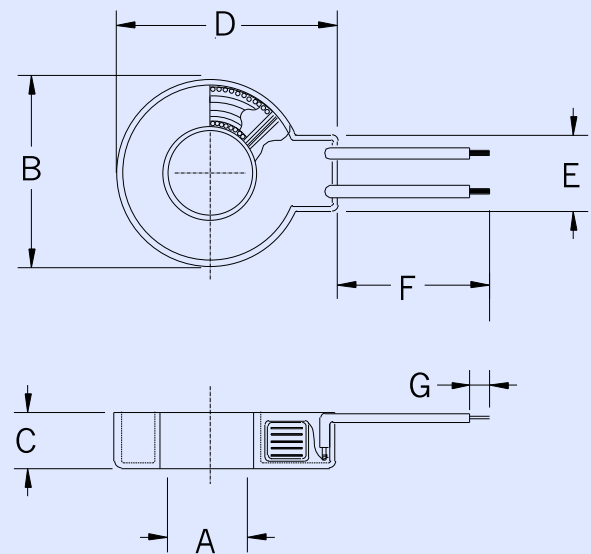
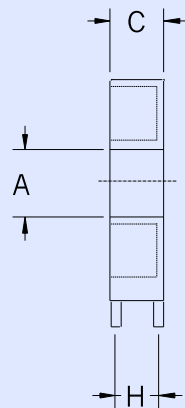
The linearity error and phase shift is nearly close to zero especially at the very minimal current and even at the different power factor, with the best performance for solid state energy meters, high end power transducers, and other power measurements.

Model Name	Frequency	Current Ratio	Rated Current
TZ73V / TZ73L	20Hz to 400Hz	6A / 2.4mA	6mp - 10Amp
TZ75V / TZ75L		40A / 16mA	20Amp - 40Amp

Drawing



Vertical PCB Type



Wire Lead Type

Dimension

Model	A (min)	B (max)	C (max)	D (max)	E (±0.3)	F (±0.3)	G (±0.3)	H (±0.3)
TZ73V	6.9	25	11	23.5	15.1	19.1	3	9.1
TZ75V	0.272"	0.984"	0.433"	0.925"	0.594"	0.752"	0.118"	0.358"

Model	A (min)	B (max)	C (max)	D (max)	E (max)	F (±0.3)	G (±0.5)	DCR (Ω)
TZ73V	6.9	23.3	11	26.6	7	71	3	121-135
TZ75V	0.272"	0.917"	0.433"	1.047"	0.276"	2.795"	0.118"	