



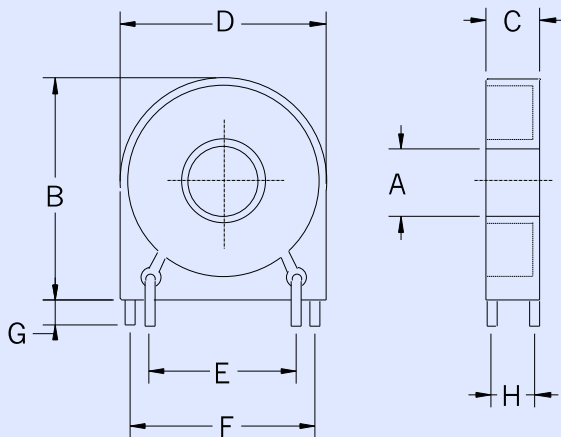
The linearity error and phase shift is nearly close to zero especially at the very minimal current and extremely accurate even at the low power factor, with the best performance for solid state energy meters, high end power transducers, and other power measurements. The accuracy is 0.2 class.

● Standard Model

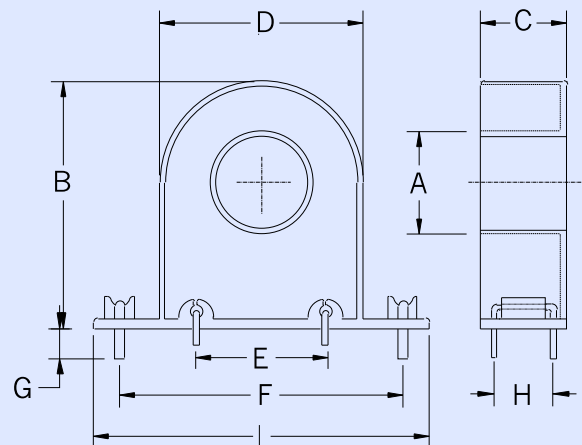
Model Name	Frequency	Current Ratio	Current Rating
TZ77V / TZ77L	20Hz to 400Hz	5A / 2mA	5Amp - 20Amp
TZ71V / TZ71L		40A / 16mA	40Amp - 80Amp
TZ76V / TZ76L		80A / 32mA	60Amp - 120Amp
TZ31L		10A / 2mA	10Amp - 150Amp
TZ105V/TZ105L		200A / 80mA	100Amp- 250Amp
TZ79L		200A / 80mA	100Amp- 250Amp
TZ110L		400A / 160mA	400Amp- 600Amp

● Vertical PCB Mounting Type

◆ Drawing



Standard Model



Model TZ105V



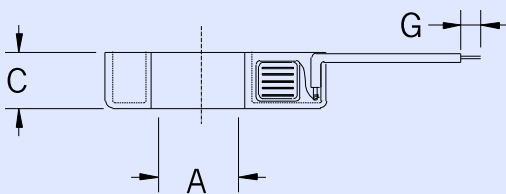
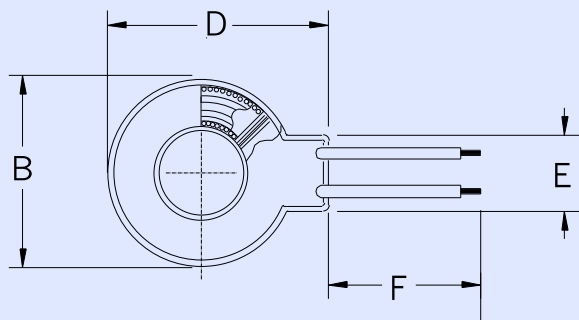
#### ◆ Dimension

Unit : mm/inch

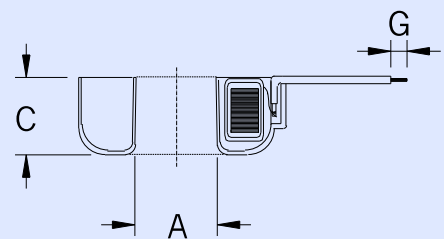
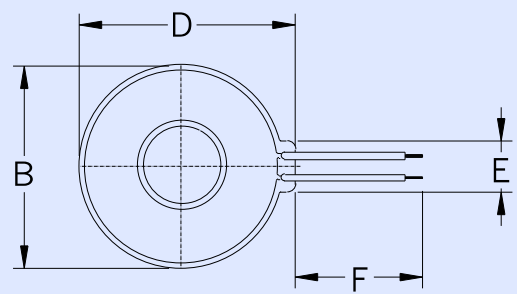
Model	A (min)	B (max)	C (max)	D (max)	E (±0.3)	F (±0.3)	G (±0.3)	H (±0.3)	I (max)
TZ77V	6,9 0,272"	25 0,984"	11 0,433"	23,5 0,925"	15,1 0,594"	19,1 0,752"	3 0,118"	9,1 0,358"	-
TZ71V	9 0,354"	28 1,102"	17 0,669"	26 1,024"	15,1 0,594"	19,1 0,752"	3 0,118"	15,1 0,594"	-
TZ76V	13 0,512"	39 1,535"	14 0,551"	37,5 1,476"	25,2 0,992"	32,8 1,291"	3 0,118"	12,1 0,476"	-
TZ105V	18,6 0,732"	55,5 2,185"	20,3 0,799"	50,5 1,988"	30 1,181"	60,2 2,370"	3,5 0,138"	10 0,394"	67,8 2,669"

#### ● Wire Lead Type

#### ◆ Drawing



Standard Model



Model TZ105L



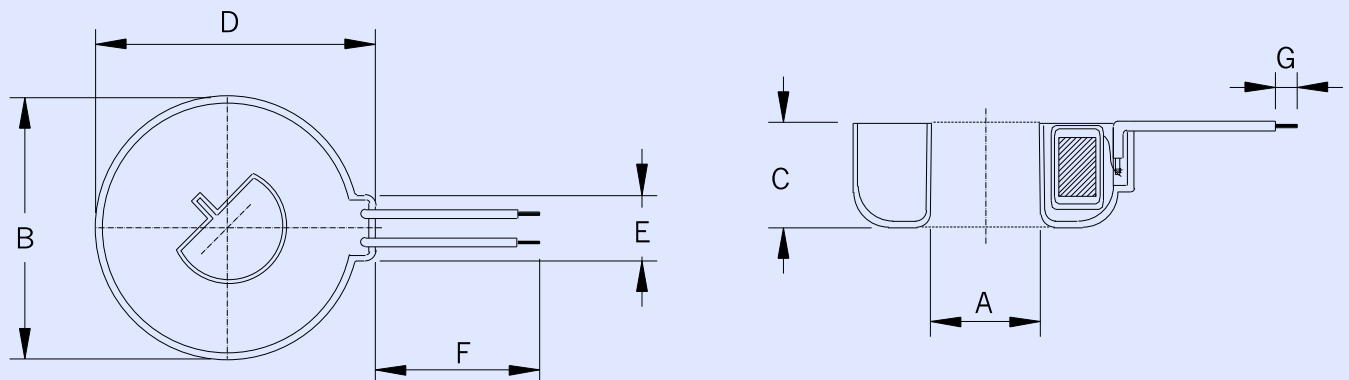
#### ◆ Dimension

Unit : mm/inch

Model	A (min)	B (max)	C (max)	D (max)	E (max)	F (±0.3)	G (±0.5)	DCR (Ω)
TZ77L	6.9 0,272"	23,3 0,917"	11 0,433"	26,6 1,047"	7 0,276"	71 2,795"	3 0,118"	121-135
TZ71L	9 0,354"	25,3 0,996"	17 0,669"	28,6 1,126"	7 0,276"	65 2,559"	3 0,118"	174-188
TZ76L	13 0,512"	37,3 1,469"	14 0,551"	41,3 1,626"	10 0,394"	68 2,677"	3 0,118"	48-54
TZ31L	13 0,512"	31,2 1,228"	16,5 0,650"	34,7 1,366"	6,2 0,244"	74 2,913"	5 0,197"	370-420
TZ105L	19,4 0,764"	47,8 1,882"	19 0,748"	51 2,008"	12 0,472"	270 10,63"	5 0,197"	32-36
TZ110L	26,5 1,043"	62,5 2,461"	24,5 0,965"	66 2,598"	11 0,433"	263 10,35"	5 0,197"	26-32

#### ● BusBar Type (TZ79L)

#### ◆ Drawing





◆ Dimension

Unit : mm/inch

Model	A (min)	B (max)	C (max)	D (max)	E (max)	F (±0.3)	G (±0.5)	DCR (Ω)
TZ79L	19.4	47.8	19	51	12	270	5	32-36
	0.764"	1.882"	0.748"	2.008"	0.472"	10.63"	0.197"	