

12-Channel High Voltage Analog Switch

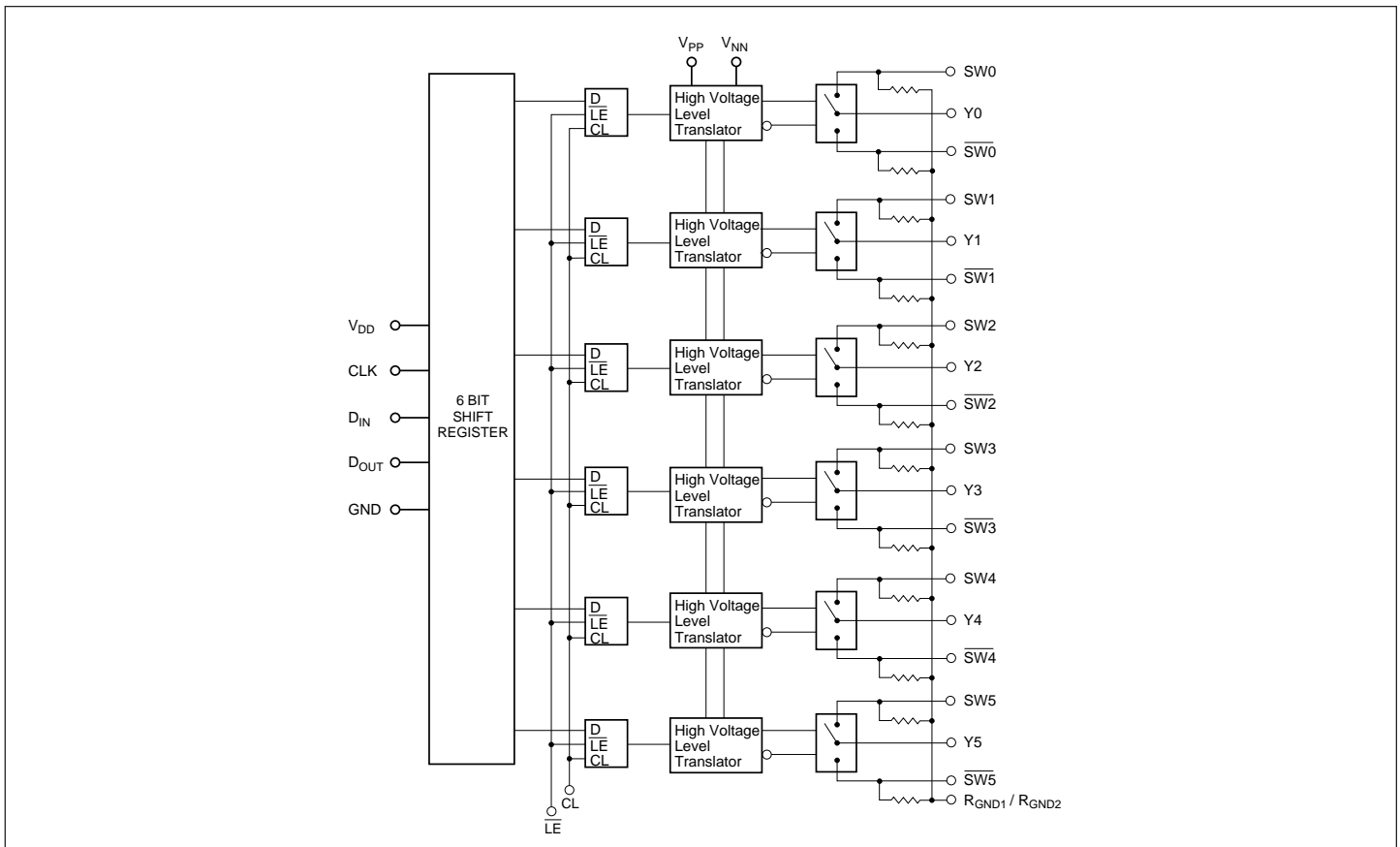
Features

- ❑ HVCMOS technology for high performance
- ❑ Operating voltage of up to 200V
- ❑ Output On-resistance typically 22Ω
- ❑ Integrated bleed resistors on the outputs
- ❑ Very low quiescent power dissipation -10μA
- ❑ Low parasitic capacitances
- ❑ -58dB typical output off isolation at 5MHz
- ❑ 5.0V to 12V CMOS logic circuitry
- ❑ Excellent noise immunity
- ❑ Flexible high voltage supplies

General Description

The Supertex HV209 is a 200V low charge injection 12-channel high voltage analog switch configured as 6 SPDT analog switch intended for medical ultrasound applications. Bleed resistors are integrated on the output switches to eliminate charge built up on the piezo electric transducers. The bleed resistors are at a nominal value of 35KΩ. Using HVCMOS technology, this device combines high voltage bilateral DMOS switches and low power CMOS logic to provide efficient control of high voltage analog signals. The outputs are configured as single pole double throw analog switches. Data is shifted into a 6-bit shift register using an external clock. The LE latches the shift register data into the individual switch latches. A logic high connects a switch common Y_x to SW_x. A logic low connects Y_x to SW_x. A logic hi in CL resets all switches to SW_x simultaneously.

Block Diagram



Ordering Information

$V_{PP} - V_{NN}$	Package Options	
	48-pin TQFP	Die
200V	HV209FG	HV209X

Absolute Maximum Ratings*

V_{DD} Logic power supply voltage	-0.5V to +15V
$V_{PP} - V_{NN}$ Supply voltage	+220V
V_{PP} Positive high voltage supply	-0.5V to +200V
V_{NN} Negative high voltage supply	+0.5V to -200V
Logic input voltages	-0.5V to $V_{DD} + 0.3V$
V_{SIG} Analog Signal Range	V_{NN} to V_{PP}
Peak analog signal current/channel	3.0A
Storage temperature	-65°C to +150°C
Power dissipation	1.0W

* All voltages are referenced to ground. Absolute maximum ratings are those values which damage to the device may occur. Functional operation under these conditions is not implied. Continuous operation of the device at the absolute rating level may affect device reliability.

Electrical Characteristics

DC Characteristics (over recommended operating conditions unless otherwise noted)

Characteristics	Sym	0°C		+25°C			+70°C		Units	Test Conditions	
		min	max	min	typ	max	min	max			
Small Signal Switch (ON) Resistance	R _{ONS}		30		26	38		48	ohms	I _{SIG} = 5mA	V _{PP} = 40V,
			25		22	27		32		I _{SIG} = 200mA	V _{NN} = -160V
			25		22	27		30		I _{SIG} = 5mA	V _{PP} = 100V,
			18		18	24		27		I _{SIG} = 200mA	V _{NN} = -100V
			23		20	25		30		I _{SIG} = 5mA	V _{PP} = 190V,
			22		16	25		27		I _{SIG} = 200mA	V _{NN} = -10V
Small Signal Switch (ON) Resistance Matching	ΔR _{ONS}		20		5.0	20		20	%	I _{SW} = 5mA, V _{PP} = 100V, V _{NN} = -100V	
Large Signal Switch (ON) Resistance	R _{ONL}				15				ohms	V _{SIG} = V _{PP} - 10V, I _{SIG} = 1A	
Output Switch Shunt Resistance	R _{INT}			20	35	50			KΩ	Output switch to R _{GND} I _{RINT} = 0.5 mA	
DC Offset Switch Off			50					50	mV	No Load, R _{GND} = 0V	
DC Offset Switch On			50					50	mV	No Load, R _{GND} = 0V	
Pos. HV Supply Current	I _{PPQ}				10	50			μA	ALL SWs OFF	
Neg. HV Supply Current	I _{NNQ}				-10	-50			μA	ALL SWs OFF	
Pos. HV Supply Current	I _{PPQ}				10	50			μA	ALL SWs ON I _{SW} = 5mA	
Neg. HV Supply Current	I _{NNQ}				-10	-50			μA	ALL SWs ON I _{SW} = 5mA	
Switch Output Peak Current			3.0		3.0	2.0		2.0	A	V _{SIG} duty cycle ≤ 0.1%	
Output Switch Frequency	f _{SW}					50			KHz	Duty Cycle = 50%	
I _{PP} Supply Current	I _{PP}		6.5			7.0		8.0	mA	V _{PP} = 40V, V _{NN} = -160V	50KHz Output Switching Frequency with no load
			4.0			5.0		5.5		V _{PP} = 100V, V _{NN} = -100V	
			4.0			5.0		5.5		V _{PP} = 190V, V _{NN} = -10V	
I _{NN} Supply Current	I _{NN}		6.5			7.0		8.0	mA	V _{PP} = 40V, V _{NN} = -160V	
			4.0			5.0		5.5		V _{PP} = 100V, V _{NN} = -100V	
			4.0			5.0		5.5		V _{PP} = 190V, V _{NN} = -10V	
Logic Supply Average Current	I _{DD}		4.0			4.0		4.0	mA	f _{CLK} = 5MHz, V _{DD} = 5.0V	
Logic Supply Quiescent Current	I _{DDQ}		10			10		10	μA		
Data Out Source Current	I _{SOR}	0.45		0.45	0.70			0.40	mA	V _{OUT} = V _{DD} - 0.7V	
Data Out Sink Current	I _{SINK}	0.45		0.45	0.70			0.40	mA	V _{OUT} = 0.7V	
Logic Input Capacitance	C _{IN}		10			10		10	pF		

Electrical Characteristics

AC Characteristics (over operating conditions $V_{DD} = 5V$, unless otherwise noted)

Characteristics	Sym	0°C		+25°C			+70°C		Units	Test Conditions
		min	max	min	typ	max	min	max		
Set Up Time Before \overline{LE} Rises	t_{SD}	150		150			150		ns	
Time Width of \overline{LE}	t_{WLE}	150		150			150		ns	
Clock Delay Time to Data Out	t_{DO}		150			150		150	ns	
Time Width of CL	t_{WCL}	150		150			150		ns	
Set Up Time Data to Clock	t_{SU}	15		15	8.0		20		ns	
Hold Time Data from Clock	t_h	35		35			35		ns	
Clock Freq	f_{CLK}		5.0			5.0		5.0	MHz	50% duty cycle $f_{DATA} = f_{CLK}/2$
Turn On Time	t_{ON}		5.0			5.0		5.0	μs	$V_{SIG} = V_{PP} - 10V$, $R_L = 10K\Omega$
Turn Off Time	t_{OFF}		5.0			5.0		5.0	μs	$V_{SIG} = V_{PP} - 10V$, $R_L = 10K\Omega$
Maximum V_{SIG} Slew Rate	dv/dt		20			20		20	V/ns	$V_{PP} = 40V$, $V_{NN} = -160V$
			20			20		20		$V_{PP} = 100V$, $V_{NN} = -100V$
			20			20		20		$V_{PP} = 190V$, $V_{NN} = -10V$
Off Isolation	KO	-30		-30	-33		-30		dB	$f = 5MHz$, 1K Ω /15pF load
		-58		-58			-58		dB	$f = 5MHz$, 50 Ω load
Switch Crosstalk	K_{CR}	-60		-60	-70		-60		dB	$f = 5MHz$, 50 Ω load
Output Switch Isolation Diode Current	I_{ID}		300			300		300	mA	300ns pulse width, 2.0% duty cycle
Off Capacitance SW to GND	$C_{SG(OFF)}$	5.0	17	5.0	12	17	5.0	17	pF	0V, 1MHz
On Capacitance SW to GND	$C_{SG(ON)}$	25	50	25	38	50	25	50	pF	0V, 1MHz
Positive Output Voltage Spike	$+V_{SPK}$		150			150		150	mV	$R_{LOAD} = 50\Omega$
Negative Output Voltage Spike	$-V_{SPK}$		150			150		150	mV	$R_{LOAD} = 50\Omega$

Operating Conditions*

Symbol	Parameter	Value
V_{PP}	Positive high voltage supply ¹	+40V to $V_{NN} + 200V$
V_{NN}	Negative high voltage supply ¹	-10V to -160V
V_{DD}	Logic power supply voltage ¹	+4.5V to +13.2V
V_{IH}	High-level input voltage	$0.8 V_{DD}$ to V_{DD}
V_{IL}	Low-level input voltage	0V to $0.2V_{DD}$
V_{SIG}	Analog signal voltage peak-to-peak ²	$V_{NN} + 10V$ to $V_{PP} - 10V$
T_A	Operating free air-temperature	0°C to 70°C

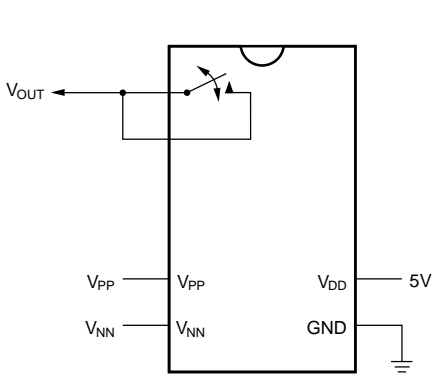
Notes:

- 1 Power up/down sequence is arbitrary except GND must be powered-up first and powered-down last.
- 2 V_{SIG} must be within V_{PP} and V_{NN} voltage range or floating during power up/down transition.

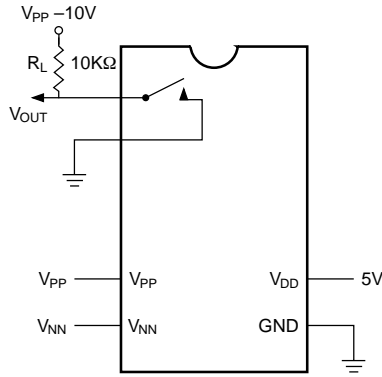
Truth Table

Data Inputs						\overline{LE}	CL	Switch States						
DO	D1	D2	D3	D4	D5			Y0	Y1	Y2	Y3	Y4	Y5	
L						L	L	$\overline{SW0}$						
H						L	L	SW0						
	L					L	L		$\overline{SW1}$					
	H					L	L		SW1					
		L				L	L			$\overline{SW2}$				
		H				L	L			SW2				
			L			L	L				$\overline{SW3}$			
			H			L	L				SW3			
				L		L	L					$\overline{SW4}$		
				H		L	L					SW4		
					L	L	L						$\overline{SW5}$	
					H	L	L							SW5
X	X	X	X	X	X	H	L	HOLDS PREVIOUS STATE						
X	X	X	X	X	X	X	H	$\overline{SW0}$	$\overline{SW1}$	$\overline{SW2}$	$\overline{SW3}$	$\overline{SW4}$	$\overline{SW5}$	

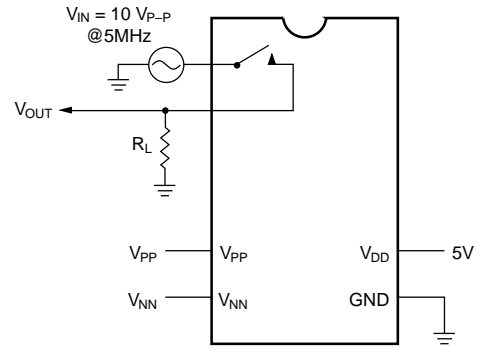
Test Circuits



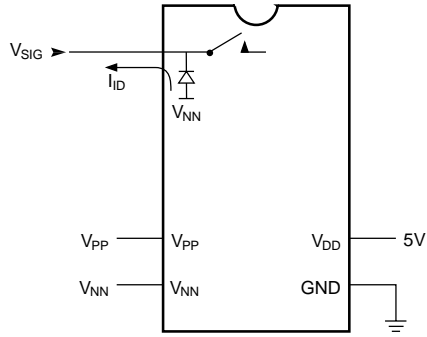
DC Offset ON/OFF



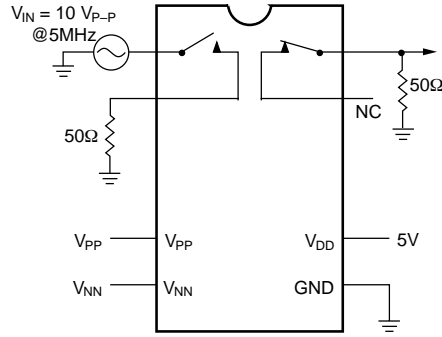
T_{ON}/T_{OFF} Test Circuit



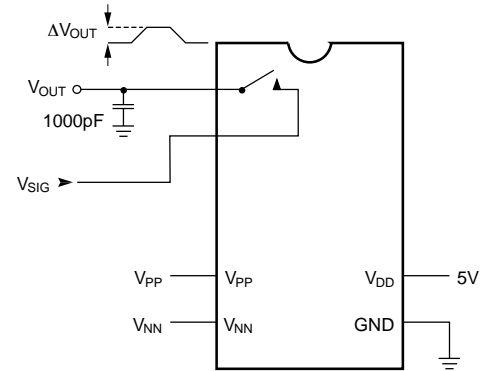
$K_O = 20 \text{Log} \frac{V_{OUT}}{V_{IN}}$
OFF Isolation



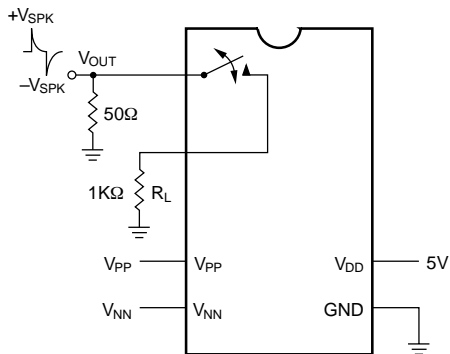
Isolation Diode Current



$K_{CR} = 20 \text{Log} \frac{V_{OUT}}{V_{IN}}$
Crosstalk

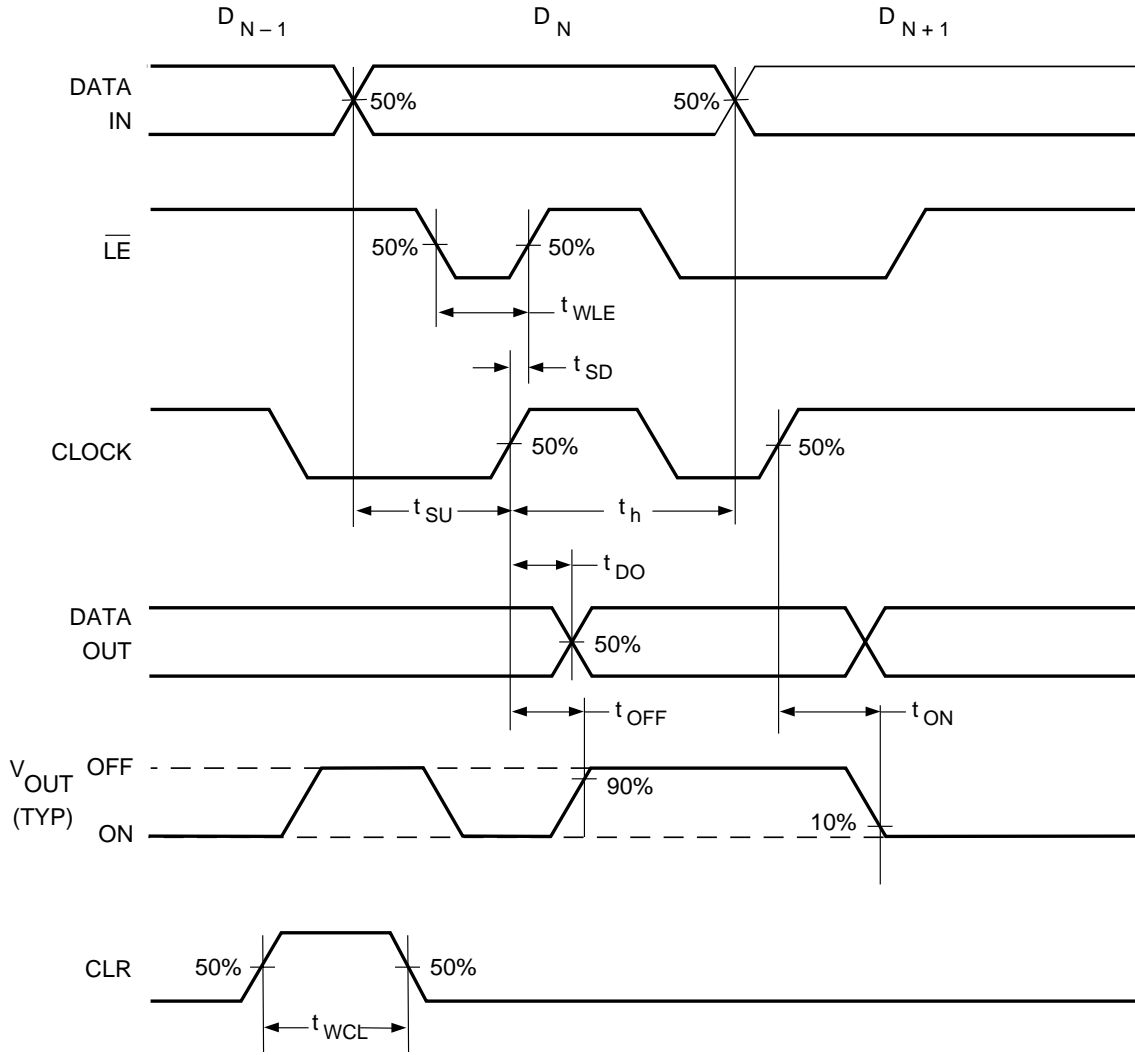


$Q = 1000\text{pF} \times \Delta V_{OUT}$
Charge Injection

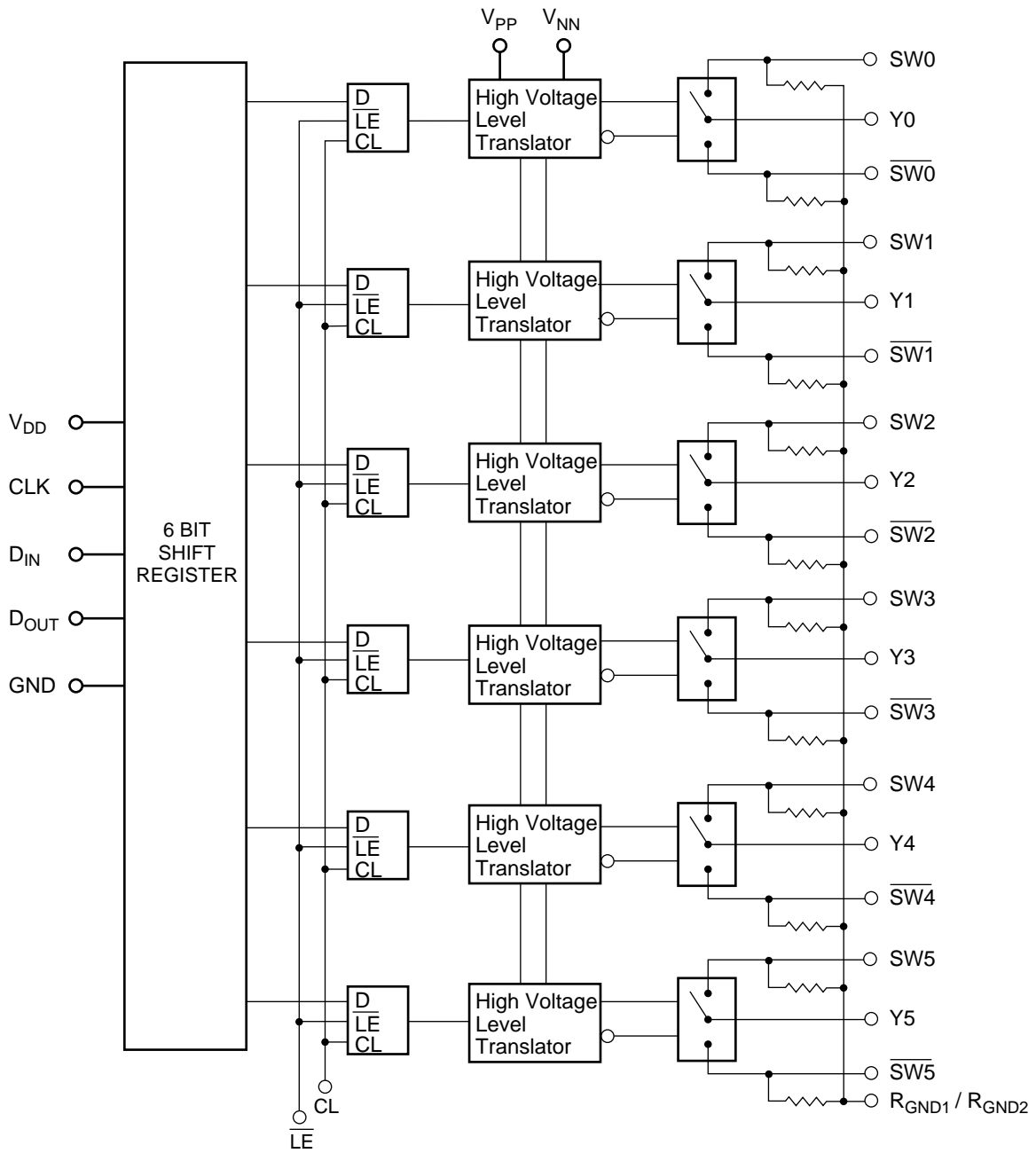


Output Voltage Spike

Logic Timing Waveforms



Block Diagram

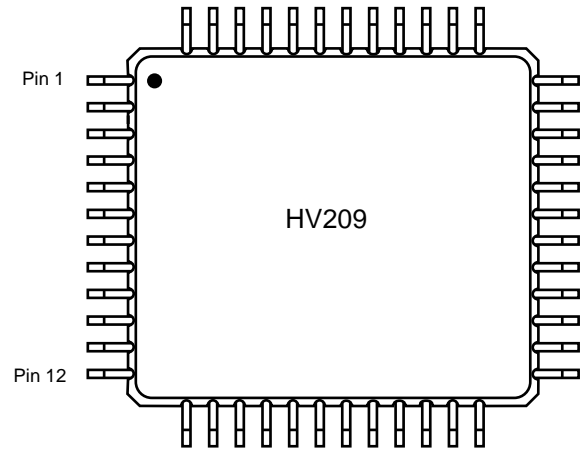


Pin Configuration

HV209 48-Pin TQFP

Pin	Function	Pin	Function
1	N/C	25	SW5
2	SW0	26	Y5
3	Y0	27	SW5
4	SW0	28	N/C
5	N/C	29	SW3
6	SW2	30	Y3
7	Y2	31	SW3
8	SW2	32	N/C
9	N/C	33	SW1
10	SW4	34	Y1
11	Y4	35	SW1
12	SW4	36	N/C
13	N/C	37	R _{GND1}
14	N/C	38	N/C
15	N/C	39	D _{OUT}
16	V _{NN}	40	V _{DD}
17	N/C	41	D _{IN}
18	N/C	42	CLR
19	N/C	43	LE
20	N/C	44	CLK
21	V _{PP}	45	GND
22	N/C	46	N/C
23	N/C	47	N/C
24	N/C	48	R _{GND2}

Package Outline



top view
48-pin TQFP

Supertex Inc. does not recommend the use of its products in life support applications and will not knowingly sell its products for use in such applications unless it receives an adequate "products liability indemnification insurance agreement." Supertex does not assume responsibility for use of devices described and limits its liability to the replacement of devices determined to be defective due to workmanship. No responsibility is assumed for possible omissions or inaccuracies. Circuitry and specifications are subject to change without notice. For the latest product specifications, refer to the Supertex website: <http://www.supertex.com>. For complete liability information on all Supertex products, refer to the most current databook or to the Legal/Disclaimer page on the Supertex website.