

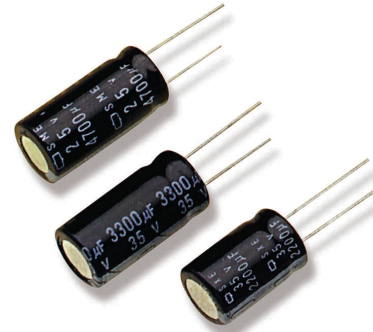
HIGH TEMPERATURE ALUMINUM ELECTROLYTIC CAPACITOR - 105°C

W I D E T E M P E R A T U R E R A N G E S E R I E S

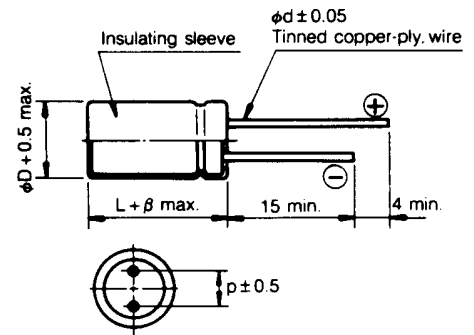
TS14

FEATURES

- Wide operating temperature range of -55 ~ +105°C
- Standard series for general purposes
- Voltage range of 6.3 ~ 450V



Item	Characteristics											
Operating temperature range	WV	6.3 ~ 100					160 ~ 350			400, 450		
	Temperature range	-55 ~ +105°C					-40 ~ +105°C			-25 ~ +105°C		
Leakage current max.	WV ≤ 100					WV > 100						
	I = 0.01CV or 3μA whichever is greater (after 2min)					I = 0.02CV + 15μA (after 5min)						
Capacitance tolerance											±20% at 120Hz, 20°C	
Dissipation factor max. (at 120Hz, 20°C)	Capacitance > 1000μF: tanδ increases by 0.02 for each 1000μF from below value.											
	MV	6.3	10	16	25	35	50	63	100	160-250	350-450	
	tanδ	0.22	0.19	0.16	0.14	0.12	0.10	0.09	0.08	0.15	0.20	



μF \ WV	6.3	10	16	25	35	50	63	100	160	200	250	350	400	450
0.47						5 x 11	5 x 11	5 x 11	6.3 x 11	6.3 x 11	6.3 x 11			
0.68						5 x 11	5 x 11	5 x 11	6.3 x 11	6.3 x 11	6.3 x 11			
1.0						5 x 11	5 x 11	5 x 11	6.3 x 11	6.3 x 11	6.3 x 11	8 x 11.5	8 x 11.5	8 x 11.5
1.5						5 x 11	5 x 11	5 x 11	6.3 x 11	6.3 x 11	8 x 11.5	10 x 12.5	10 x 12.5	10 x 12.5
2.2						5 x 11	5 x 11	5 x 11	6.3 x 11	6.3 x 11	8 x 11.5	10 x 12.5	10 x 12.5	10 x 12.5
3.3						5 x 11	5 x 11	5 x 11	8 x 11.5	8 x 11.5	10 x 12.5	10 x 16	10 x 16	10 x 16
4.7						5 x 11	5 x 11	5 x 11	8 x 11.5	10 x 12.5	10 x 12.5	10 x 16	10 x 16	10 x 20
6.8						5 x 11	5 x 11	6.3 x 11	10 x 11.5	10 x 16	10 x 16	10 x 20	10 x 20	13 x 20
10						5 x 11	5 x 11	6.3 x 11	10 x 16	10 x 16	10 x 16	10 x 20	10 x 20	13 x 20
15						5 x 11	6.3 x 11	8 x 11.5	10 x 16	10 x 20	10 x 20	13 x 20	13 x 20	13 x 25
22					5 x 11	5 x 11	6.3 x 11	8 x 11.5	10 x 20	10 x 20	13 x 20	13 x 25	13 x 25	16 x 25
33				5 x 11	5 x 11	6.3 x 11	6.3 x 11	10 x 12.5	13 x 20	13 x 20	13 x 20	16 x 25	16 x 25	16 x 31.5
47			5 x 11	5 x 11	6.3 x 11	6.3 x 11	8 x 11.5	10 x 16	13 x 20	13 x 25	13 x 25	16 x 31.5	16 x 35.5	18 x 40
68		5 x 11	5 x 11.5	6.3 x 11	6.3 x 11	8 x 11.5	10 x 12.5	10 x 20	13 x 25	16 x 25	16 x 25	16 x 35.5	18 x 40	
100	5 x 11	5 x 11	6.3 x 11	6.3 x 11	8 x 11.5	8 x 11.5	10 x 12.5	13 x 12.5	16 x 25	16 x 31.5	16 x 35.5	18 x 40		
150	6.3 x 11	6.3 x 11	6.3 x 11	8 x 11.5	10 x 12.5	10 x 12	10 x 20	13 x 25	16 x 31.5	16 x 40	18 x 40			
220	6.3 x 11	6.3 x 11	8 x 11.5	8 x 11.5	10 x 12.5	13 x 16	13 x 16	16 x 25	16 x 40	18 x 40				
330	6.3 x 11	8 x 11.5	8 x 11.5	10 x 12.5	10 x 16	13 x 20	13 x 20	16 x 25	18 x 40					
470	8 x 11.5	8 x 11.5	10 x 12.5	10 x 16	10 x 20	13 x 25	13 x 25	16 x 31.5						
680	10 x 12.5	10 x 16	10 x 16	13 x 16	13 x 20	16 x 25	16 x 25	18 x 40						
1000	10 x 12.5	10 x 16	10 x 20	13 x 20	13 x 25	16 x 25	16 x 31.5							
1500	10 x 20	10 x 20	13 x 20	13 x 25	16 x 25	16 x 31.5	18 x 40							
2200	13 x 20	13 x 20	13 x 25	16 x 25	16 x 31.5	18 x 35.5								
3300	13 x 20	13 x 25	16 x 25	16 x 31.5	18 x 35.5									
4700	16 x 25	16 x 25	16 x 31.5	18 x 35.5										
6800	16 x 25	16 x 31.5	16 x 40											
10000	16 x 31.5	18 x 35.5												
15000	18 x 35.5													

← Case size φD x L(mm)

ALUMINUM ELECTROLYTIC CAPACITOR – GENERAL

TS14-TSE11

● Nominal capacitance, rated voltage and case size table

WV 項目 uF	160		200		250		315		400	
	DXL mm	R.C-mA	DXL mm	R.C-mA	DXL mm	R.C-mA	DXL mm	R.C-mA	DXL mm	R.C-mA
0.47	5X11	7								
1	5X11	11	6X12	11	6X12	10	8X12	6	8X12	6
2.2	6X12	16	8X12	16	8X12	15	10X16	12	8X12	10
3.3	6X12	20	8X12	20	8X16	23	10X16	16	10X12	14
4.7	8X12	24	10X12	31	8X16	27	10X20	20	10X13	20
10	8X12	45	10X16	51	10X16	48	12X24	38	10X20	38
22	10X16	83	10X20	83	12X21	81	16X26	66	13X24	62
33	12X21	114	12X21	114	16X26	114	16X30	88	16X26	86
47	12X24	157	13X24	157	16X26	149	18X40	124		
100	16X26	251	16X26	273	18X40	273				

Rated ripple current (105°C 100Hz)

Case size of the products can be changed according to customer's requirement

ALUMINUM ELECTROLYTIC CAPACITOR – MINIATURE

TS14-TSE07

■ Case size table

ΦD	4	5	6.3	8
F	1.5	2.0	2.5	3.5
d	0.45	0.5	0.5	
α	1.0			

● Nominal capacitance, rated voltage and case size table

WV DxL mm uF	4	6.3	10	16	25	35	50
0.1							4x7
0.15							4x7
0.22							4x7
0.33							4x7
0.47							4x7
0.68							4x7
1.0							4x7
1.5							4x7
2.2							4x7
3.3							4x7
4.7						4x7	4x7
6.8						4x7	4x7
10				4x7	4x7	4x7	5x7
15				4x7	4x7	5x7	6.3x7
22		4x7	4x7	4x7	4x7	5x7	8x9
33	4x7	4x7	4x7	4x7	5x7	6.3x7	
47	4x7	4x7	4x7	5x7	6.3x7	6.3x7	
68	4x7	4x7	4x7	5x7	6.3x7		
100	4x7	4x7 (5x7)	5x7	6.3x7	8x9		
220	5x7	6.3x7	6.3x7				

Case size of the products can be changed according to customer's requirement

ALUMINUM ELECTROLYTIC CAPACITOR – SUPER MINIATURE

TS14-TSE05

■ Case size table

ΦD	4	5	6.3	8
F	1.5	2.0	2.5	2.5
d	0.45	0.45	0.45	0.45
a	1.0			1.5

● Nominal capacitance, rated voltage and case size table

WV DxL mm uF	4	6.3	10	16	25	35	50
0.1							4x5
0.22							4x5
0.33							4x5
0.47							4x5
0.68							4x5
1.0							4x5
2.2							4x5
3.3						4x5	4x5
4.7					4x5	4x5	5x5
6.8					4x5	5x5	5x5
10		4x5	4x5	4x5	4x5	5x5	6.3x5
22	4x5	4x5	4x5	4x5	5x5	6.3x5	
33	4x5	5x5	5x5	5x5	6.3x5		
47	4x5	5x5	6.3x5	6.3x5	8x5		
68	5x5	6.3x5	6.3x5	6.3x5			
100	5x5	6.3x5	8x5	8x5			
220	6.3x5	8x5					
330	8x5	8x5					

Case size of the products can be changed according to customer's requirement