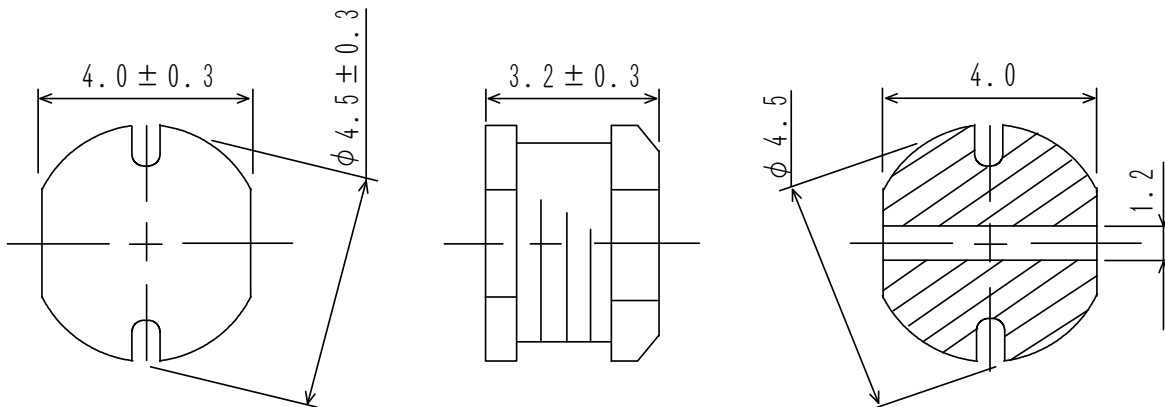
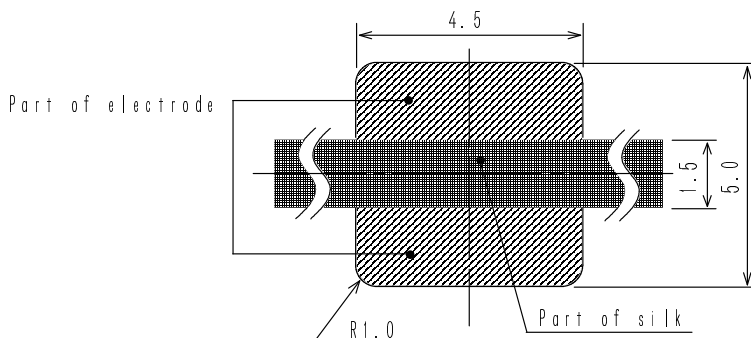


Type: CD43
◆ Product Description

- 4.8×4.3mm Max.(L×W),3.5mm Max. Height.
- Inductance range: 1.0~68μH.
- Rated current range: 0.37~2.7A.
- In addition to the standard versions of inductors shown here, custom inductors are available to meet your exact requirements.


◆ Feature

- Magnetically unshielded construction.
- Storage temperature range: -40°C~+100°C.
- Operating temperature range: -40°C~+100°C (Including coil's self temperature rise).
- Ideally used in Mobilephone,PDA,MP3,DSC/DVC,portable DVD etc as DC-DC Converter inductors.
- RoHS Compliance and Halogen Free.

◆ Dimensions (mm)

◆ Land Pattern (mm)


Type: CD43
◆ Specification

Part Name ※	Stamp	Inductance (μ H) ※ 1	D.C.R. (m Ω) [Max.] (20°C)	Rated Current (A) ※2	S.R.F. (MHz) [Typ.]
CD43NP-1R0M□	1R0	1.0 \pm 20%	48.7	2.70	113.8
CD43NP-1R4M□	1R4	1.4 \pm 20%	56.2	2.50	101.0
CD43NP-1R8M□	1R8	1.8 \pm 20%	63.7	2.33	92.0
CD43NP-2R2M□	2R2	2.2 \pm 20%	71.2	2.25	76.3
CD43NP-2R7M□	2R7	2.7 \pm 20%	78.7	2.16	66.6
CD43NP-3R3M□	3R3	3.3 \pm 20%	86.2	2.00	63.8
CD43NP-3R9M□	3R9	3.9 \pm 20%	93.7	1.84	53.8
CD43NP-4R7M□	4R7	4.7 \pm 20%	108.7	1.62	49.5
CD43NP-5R6M□	5R6	5.6 \pm 20%	125.7	1.48	43.2
CD43NP-6R8M□	6R8	6.8 \pm 20%	131.2	1.43	41.4
CD43NP-8R2M□	8R2	8.2 \pm 20%	146.2	1.37	35.8
CD43NP-100M□	100	10 \pm 20%	182	1.04	35.8
CD43NP-120M□	120	12 \pm 20%	210	0.97	32.4
CD43NP-150M□	150	15 \pm 20%	235	0.85	29.3
CD43NP-180M□	180	18 \pm 20%	338	0.74	27.5
CD43NP-220M□	220	22 \pm 20%	378	0.68	24.7
CD43NP-270M□	270	27 \pm 20%	522	0.62	21.7
CD43NP-330K□	330	33 \pm 10%	540	0.56	19.6
CD43NP-390K□	390	39 \pm 10%	587	0.52	18.0
CD43NP-470K□	470	47 \pm 10%	844	0.44	15.6
CD43NP-560K□	560	56 \pm 10%	937	0.42	14.8
CD43NP-680K□	680	68 \pm 10%	1117	0.37	13.2

※ Description of part name

CD43NP-1R0M□
 └─ B: Box
 └─ C: Carrier Tape

※1: Measuring frequency: L 1.0 μ H \sim 8.2 μ H ; at 7.96 MHz
 10 μ H \sim 68 μ H ; at 2.52 MHz

※2: Rated current: The DC current at which the inductance decreases to 90 % of its initial value or when $\Delta t=40^{\circ}\text{C}$, whichever is lower ($T_a=20^{\circ}\text{C}$).