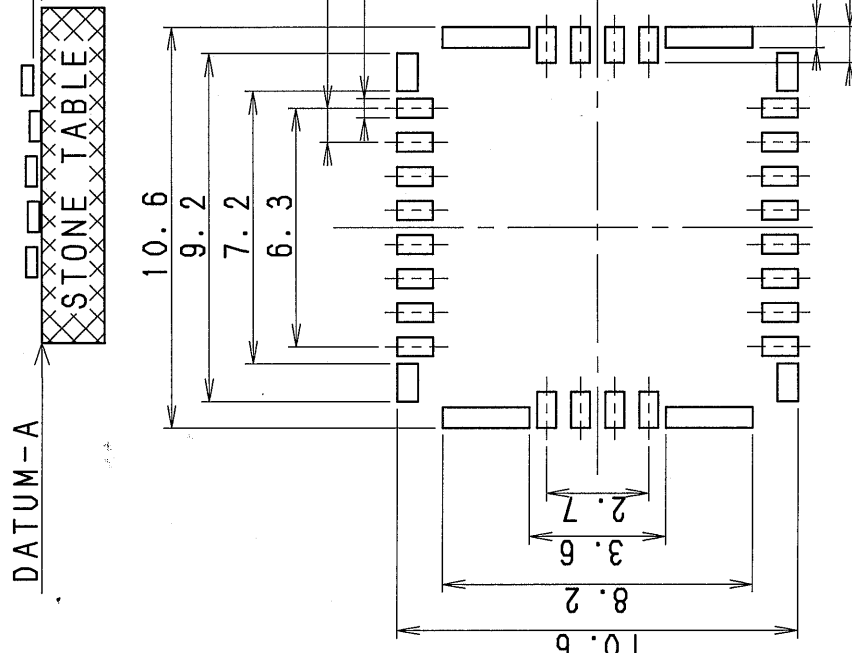


NOTE
 1. SPECIFICATION: CLE9124B1501F
 2. PACKAGING: CLE9124N1501F
 3. COPLANARITY
 CONTACT, SHIELD A, SHIELD B
 ALLO. 1 COPLANARITY TO DATUM A



RECOMMEND P. C. BOARD LAYOUT
 (tolerance ±0.05)

4	801CLE-052-30F	SHIELD B	Cu ALLOY t=0.15	Sn PLATE	2
3	801CLE-051-30F	SHIELD A	Cu ALLOY t=0.15	Sn PLATE	2
2	415CLE-132-50F	CONTACT	Cu ALLOY t=0.10	Au PLATE	24
1	101CLE-110-00F	HOUSING	LCP (GF30%)	BLACK	1

15	TOLERANCE UNLESS SPECIFIED
0.5 < X < 1	±0.15
1 < X < 6	±0.20
6 < X < 18	±0.30
18 < X < 50	±0.50
50 < X < 120	±0.70
120 < X < 250	±0.90
250 < X < 500	±1.20

UNIT	mm	SCALE	5:1
APPROVED	J. Kobayashi		
CHECKED	A. Sawada		
TRACED	J. Kobayashi		
DESIGNED	J. Kobayashi		
DESCRIPTION	CAMERA MODULE CN		
NAME	3226		
MATERIAL	SOCKET (0.9mm PITCH 24P 4-8-4-8)		
FINISH	FOR 8X8 MODULE		
ISSUED	DRAWING NO. CLE9124-1501F		
NOTE	CAMERA MODULE CN		

MARK 記号	REVISION 来	DATE 年月日	SIGN 担当	APP. 承認
X1	Change Hole shape	8. Jul. '05	J. Kobayashi	J. Kobayashi