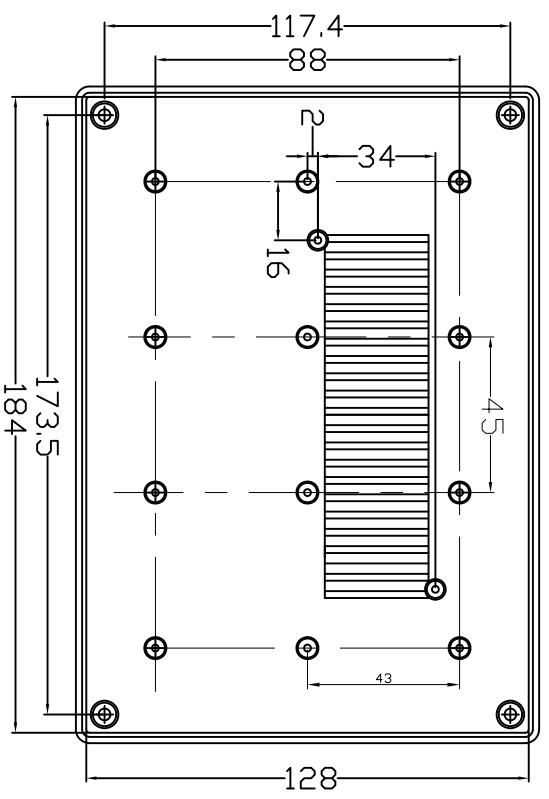
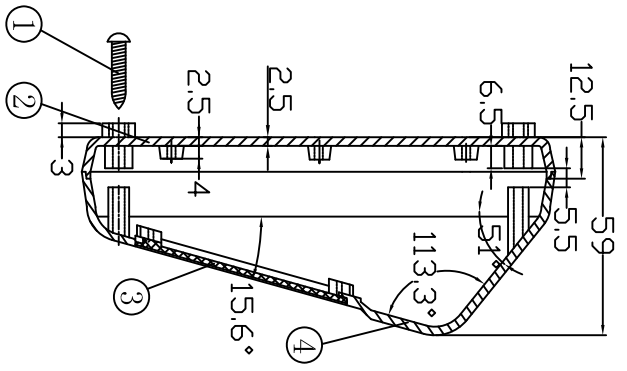
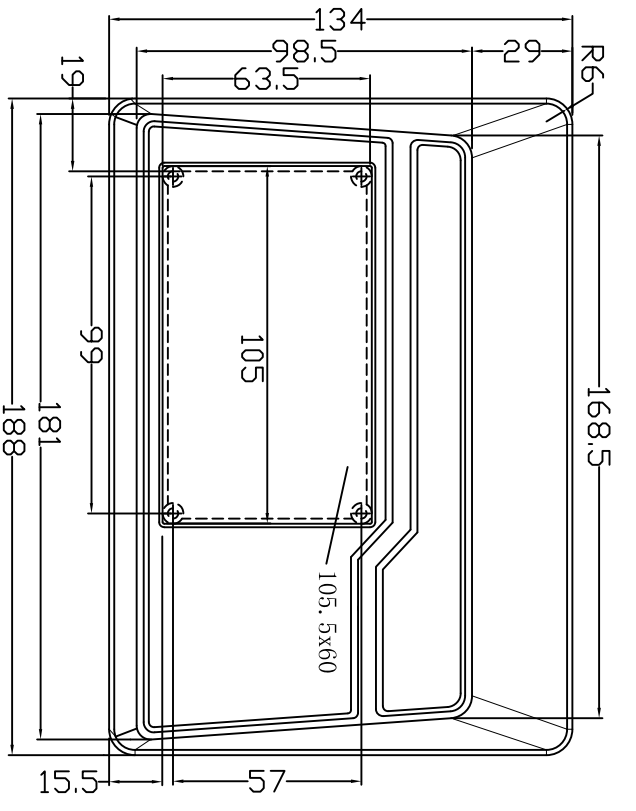


B19 (188X134X59)



Drawing	Auditing	Confirm	Custom Name	Material
			Product Name	Drawing Scale
			Product Code	Project View
			18-5	A
			(mm)	