

(1,00 mm) .0394"

MEC1-RA, MEC1-EM SERIES

RIGHT ANGLE/EDGE MOUNT SOCKETS

SPECIFICATIONS

For complete specifications and recommended PCB layouts see www.samtec.com?MEC1-RA

Insulator Material:

Black LCP



Contact Material:

Phosphor Bronze

Plating: Au or Sn over

50µ" (1,27 µm) Ni

Current Rating:

1.5A per contact @ 80°C

(See website for details)

Operating Temp Range:

-55°C to +125°C

Insertion Depth:

(5,84 mm) .230" to

(8,13 mm) .320"

RoHS Compliant: Yes

Processing:

Lead-Free Solderable: Yes

SMT Lead Coplanarity:

(0,10 mm) .004" max (05-40)

(0,15 mm) .006" max (50-70)

Note: While optimized for 50Ω applications, this connector with alternative signal/ground patterns may also perform well in certain 75Ω applications. Contact Samtec for further information.

Note: Some sizes, styles and options are non-standard, non-returnable.

MEC1 - **1** POSITIONS PER ROW - **CARD SLOT** - **PLATING OPTION** - **D** - **RA1** - **SL**

Mates with:
(1,60 mm)
.062" card

**05, 08, 20, 30,
40, 50, 60, 70**

-02
= (1,60 mm)
.062" thick card

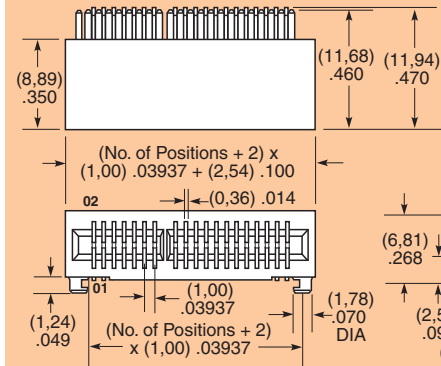
-F
= Gold flash on contact,
Matte Tin on tail

-L
= 10µ" (0,25 µm)
Gold on contact,
Matte Tin on tail

Note: Other Gold plating options available. Contact Samtec.

APPLICATION SPECIFIC OPTION

- Elevated body height
 - Non-polarized
- Call Samtec.



POSITIONS PER ROW	POLARIZED POSITIONS
05	3, 4
08	5, 6
20	15, 16
30	21, 22
40	31, 32
50	41, 42
60	31, 32, 63 & 64
70	53, 54, 115 & 116

MEC1-RA 6,81 mm Stack Height	Rated @ 3dB Insertion Loss*
Single-Ended Signaling	4.5 GHz / 9 Gbps
Differential Pair Signaling	5.5 GHz / 11 Gbps

*Performance data includes effects of a non-optimized PCB. Complete test data available at www.samtec.com?MEC1-RA or contact sig@samtec.com

APPLICATION

Samtec recommends that pads on the mating board be Gold plated.

SPECIFICATIONS

For complete specifications and recommended PCB layouts see www.samtec.com?MEC1-EM

Insulator Material:

Black LCP



Contact Material:

Phosphor Bronze

Plating: Au or Sn over

50µ" (1,27 µm) Ni

Operating Temp Range:

-55°C to +125°C

Insertion Depth:

(5,84 mm) .230" to

(8,13 mm) .320"

RoHS Compliant: Yes

Lead-Free Solderable:

Yes

Note: While optimized for 50Ω applications, this connector with alternative signal/ground patterns may also perform well in certain 75Ω applications. Contact Samtec for further information.

Note: Some sizes, styles and options are non-standard, non-returnable.

MEC1 - **1** POSITIONS PER ROW - **02** - **PLATING OPTION** - **D** - **EM2**

Mates with:
(1,60 mm)
.062" card

**05, 08, 20, 30,
40, 50, 60, 70**

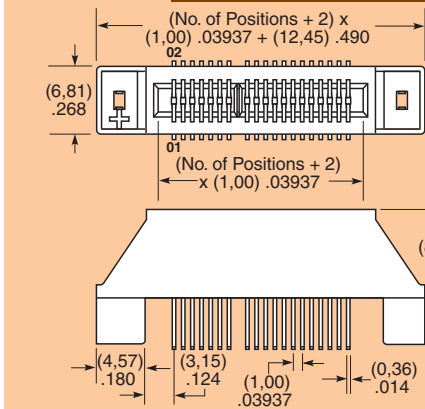
-F
= Gold flash on contact,
Matte Tin on tail

-L
= 10µ" (0,25 µm) Gold on contact,
Matte Tin on tail

Note: Other Gold plating options available. Contact Samtec.

APPLICATION SPECIFIC OPTION

- Edge mount leads for (0,80 mm) .031" thick board
 - Non-polarized
- Call Samtec.



POSITIONS PER ROW	POLARIZED POSITIONS
05	3, 4
08	5, 6
20	15, 16
30	21, 22
40	31, 32
50	41, 42
60	31, 32, 63 & 64
70	53, 54, 115 & 116

Due to technical progress, all designs, specifications and components are subject to change without notice.

WWW.SAMTEC.COM