

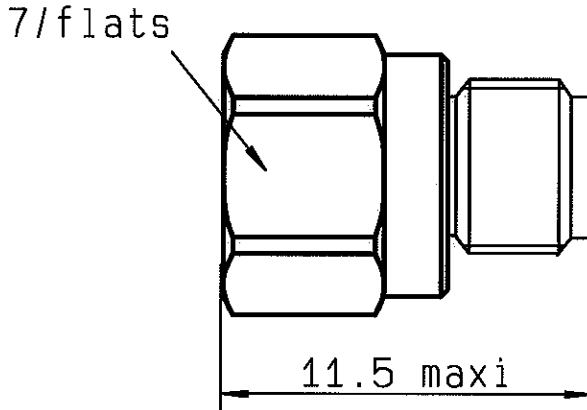


TITLE: 2 W 18GHz SMA/fem COAXIAL TERMINATION

issue
23. juin. 04

Page
1 / 2

DRAWING



General tolerances: +/- 0.5 mm

MATERIALS AND FINISHES

BODY : STAINLESS STEEL
 CONTACT : BERYLLIUM COPPER - N11 Au2.5
 INSULATOR : TEFLON
 GASKET : -
 SUBSTRATE : ALUMINA
 RESISTIVE MATERIAL : THICK FILM

This information is given as an indication. In the continual goal to improve our products, we reserve the right to make any modifications judged necessary.

4412-9212

CREATION N° : PEN/EP:CAT Name:KL Date:10.mar.89 APP.:	23.juin.04	Added MATERIALS AND FINISHES	T.JL	PV	RADIALL® 101. rue P. Hoffmann -Z.I Ouest- 93116 ROSNY/BOIS Cedex-FRANCE Phone:33(1)49353535 Fax :33(1)48546363 Tlx RADIA 235220F
	05.may.95	Peak power: 250 W --> 100 W	PG	VE	
	16.oct.92	New format	PG		
	05.sep.89	11 --> 11.5 max	KL		
	ISSUE	REVISIONS	NAME	APPR.	



TITLE: 2 W 18GHZ SMA/fem COAXIAL TERMINATION

issue
23. juin.04

Page
2 / 2

ELECTRICAL CHARACTERISTICS

FREQUENCY RANGE	:	DC - 18GHz
IMPEDANCE	:	50 Ohms
DC RESISTANCE	:	50 Ohms ± 5%
AVERAGE POWER HANDLING	:	2 W at 25°C
PEAK POWER HANDLING	:	100 W (1 µs, 1%.) at 25°C
V.S.W.R :	DC - 4 GHz	: ≤1.10
	4 - 8 GHz	: ≤1.18
	8 - 12.4 GHz	: ≤1.25
	12.4 - 18 GHz	: ≤1.40

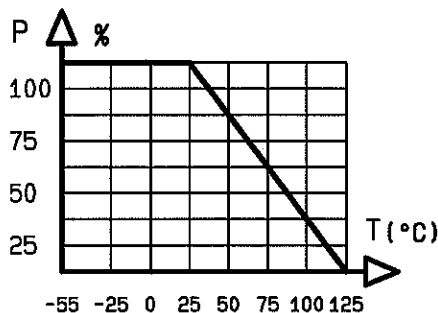
MECHANICAL CHARACTERISTICS

CONNECTOR	:	SMA female	per MIL C 39012
MAXIMUM WEIGHT	:	2	grams

ENVIRONMENTAL CHARACTERISTICS

OPERATING TEMPERATURE RANGE (°C)	:	- 55 ; + 125
STORAGE TEMPERATURE RANGE (°C)	:	- 55 ; + 125

Power derating
Versus temperature



This information is given as an indication. In the continual goal to improve our products, we reserve the right to make any modifications judged necessary

CREATION N° : PEN/EP:CAT Name:KL Date:10.mar.89 APP.:						RADIALL® 101. rue P. Hoffmann -Z.1 Ouest- 93116 ROSNY/BOIS Cedex-FRANCE Phone:33(1)49353535 Fax :33(1)48546363 Tlx RADIA 235220F
	ISSUE	REVISIONS	NAME	APPR.		

4412-9212