

### SMD Choke Coils

Series: **G**  
 Type: **ELL6GG**  
**ELL6PG**



Type ELL6GG/6PG

#### ■ Features

- Magnetic shielded structure
- Low DC resistance and large current capability
- RoHS compliant

#### ■ Recommended Applications

- DC-DC converter circuitry for computer peripherals and cellular phones.
- Chopper circuit decoupling chokes for DC-DC converter circuitry.

#### ■ Standard Packing Quantity

- 1000 pcs./Reel

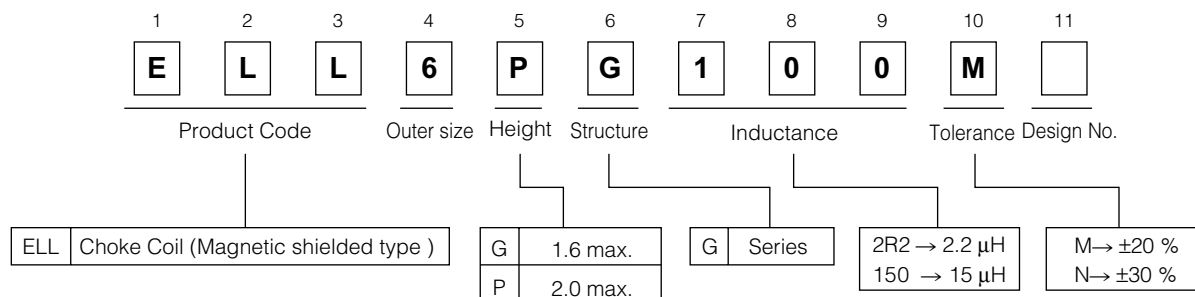
#### ■ Soldering Conditions

Please see Page 169

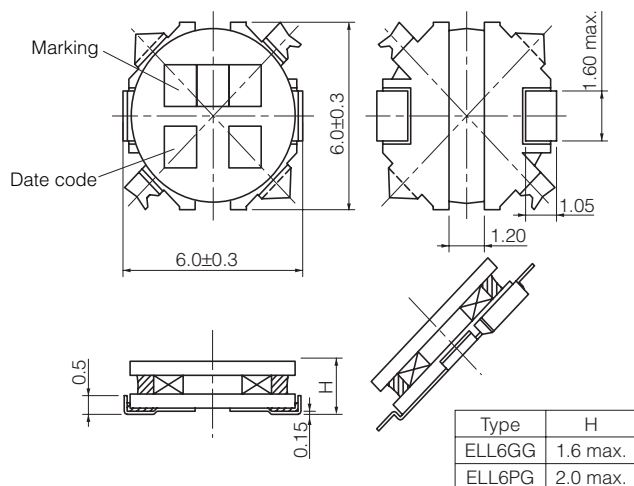
#### ■ Safety Precautions

Please see Page 170

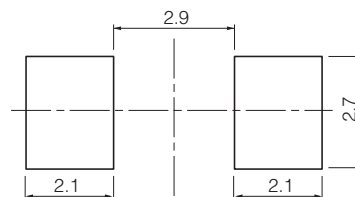
#### ■ Explanation of Part Numbers



#### ■ Dimensions in mm (not to scale)



#### ■ Recommended land patterns in mm (not to scale)



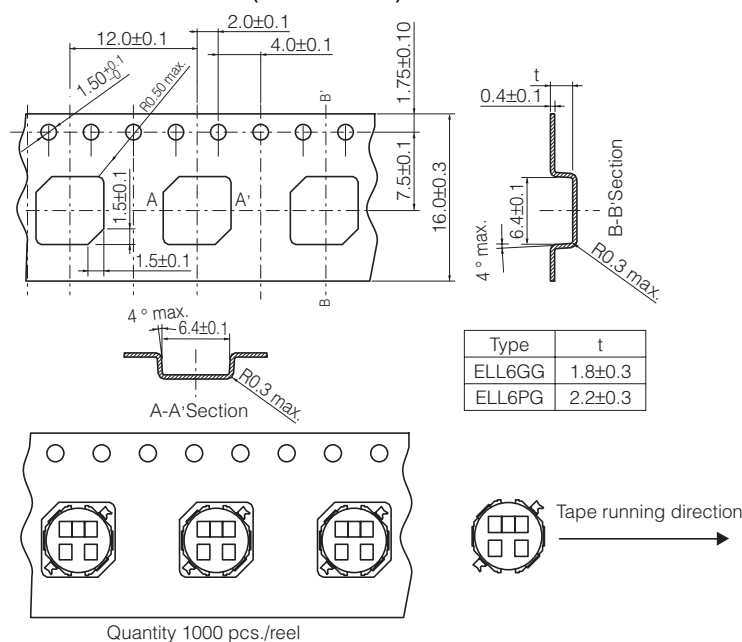
### Standard Parts

Series	Part Number	Inductance (100 kHz)		R <sub>DC</sub> (at 20 °C)		Saturation Rated Current* <sup>1</sup> (mA max.)	Temperature Rise Current* <sup>2</sup> (mA max.)	Marking
		(μH)	Tol.	(mΩ)	Tol.			
6GG Series	ELL6GG1R0N	1.0	±30 %	27	±20 %	2500	2500	1R0
	ELL6GG1R5N	1.5		36		2300	2250	1R5
	ELL6GG2R2M	2.2	±20 %	45		1950	2000	2R2
	ELL6GG2R7M	2.7		54		1850	1800	2R7
	ELL6GG3R9M	3.9		60		1650	1700	3R9
	ELL6GG4R7M	4.7		70		1400	1550	4R7
	ELL6GG6R8M	6.8		110		1150	1300	6R8
	ELL6GG100M	10.0		170		900	1000	100
	ELL6GG150M	15.0		210		800	900	150
	ELL6GG220M	22.0		300		620	850	220
	ELL6GG330M	33.0		510		490	580	330
	ELL6GG470M	47.0		610		400	480	470
	ELL6GG680M	68.0		860		380	410	680
	ELL6GG101M	100.0		1480		300	350	101
6PG Series	ELL6PGR08N	0.8	±30 %	24	±20 %	3800	2800	R08
	ELL6PG1R5N	1.5		30		2500	2500	1R5
	ELL6PG2R2N	2.2		37		2200	2200	2R2
	ELL6PG3R3N	3.3		44		1700	2000	3R3
	ELL6PG3R9N	3.9		51		1600	1900	3R9
	ELL6PG4R7N	4.7		58		1500	1750	4R7
	ELL6PG5R6N	5.6		65		1450	1650	5R6
	ELL6PG6R8N	6.8		70		1400	1600	6R8
	ELL6PG100M	10.0	±20 %	110		1300	1300	100
	ELL6PG120M	12.0		140		1100	1200	120
	ELL6PG150M	15.0		150		1000	1100	150
	ELL6PG220M	22.0		230		800	900	220
	ELL6PG270M	27.0		260		730	800	270
	ELL6PG330M	33.0		300		700	750	330
	ELL6PG470M	47.0		470		550	600	470
	ELL6PG560M	56.0		520		500	550	560
	ELL6PG680M	68.0		700		420	500	680
	ELL6PG820M	82.0		800		400	450	820
ELL6PG101M	100.0	1000	380	400	101			

\*1 Saturation Rated Current : This DC current which causes a 30 % inductance reduction from its nominal value.

\*2 Temperature Rise Current : This indicates the value of current when temperature rise dt/t= 40 °C (at 20 °C).

### Embossed Carrier Tape Dimensions in mm (not to scale)



Design and specifications are each subject to change without notice. Ask factory for the current technical specifications before purchase and/or use. Should a safety concern arise regarding this product, please be sure to contact us immediately.