

Power Inductors / Wire Wound type

Series: **G**
 Type: **ELLVEG**
ELLVFG-C
ELLVGG
ELLVGG-C



■ Features

- Magnetic shielded structure
- Low DC resistance and large current capability
- Shock resistant
- RoHS compliant

■ Recommended Applications

- DC-DC converter circuitry for computer peripherals and cellular phones.
- Chopper circuit decoupling chokes for DC-DC converter circuitry.

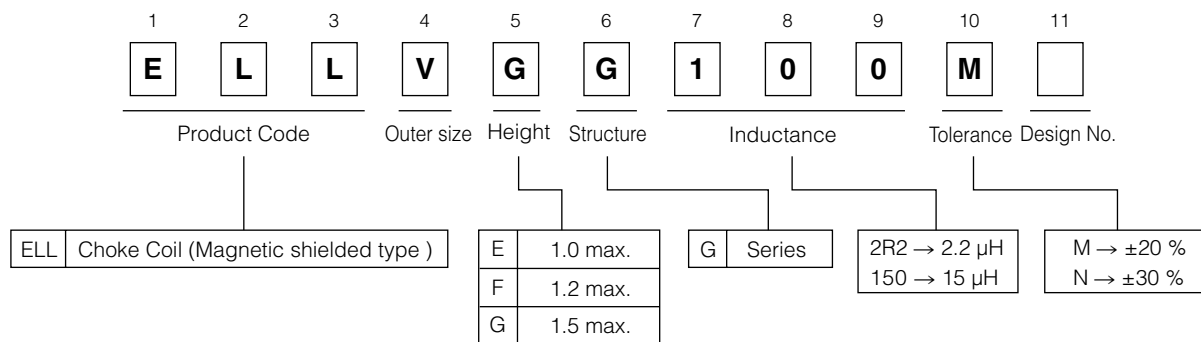
■ Standard Packing Quantity

- 2000 pcs./Reel

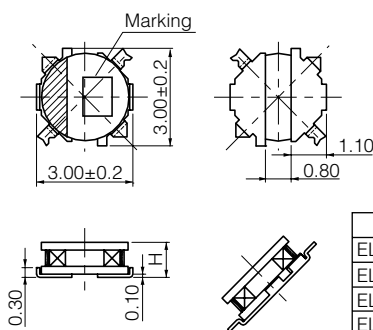
■ Soldering Conditions and Safety Precautions

Please see Data Files

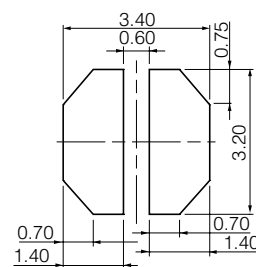
■ Explanation of Part Numbers



■ Dimensions in mm (not to scale)



■ Recommended land patterns in mm (not to scale)



■ Standard Parts

Series	Part Number	Inductance (100 kHz)		R _{DC} (at 20 °C)		Saturation Rated Current*1 (mA max.)	Temperature Rise Current*2 (mA max.)	Marking
		(μH)	Tol.	(mΩ)	Tol.			
Series VEG	ELLVEGR68N	0.68	±30 %	50	±20 %	1950	1800	7
	ELLVEG1R0N	1.0		61		1900	1600	A
	ELLVEG1R5N	1.5		74		1200	1400	C
	ELLVEG2R2N	2.2		110		1100	1250	D
	ELLVEG3R3N	3.3		210		1000	820	E
	ELLVEG4R7N	4.7		240		750	770	H
	ELLVEG6R8N	6.8		350		580	650	K
	ELLVEG100M	10.0	±20 %	480		520	600	M
	ELLVEG150M	15.0		710		430	490	O
	ELLVEG220M	22.0		1200		330	400	R
	ELLVEG330M	33.0		2300		260	290	T
	ELLVEG470M	47.0		2700		220	250	V
	ELLVEG680M	68.0		3500		180	220	X
	Series VFG-C	ELLVFG1R0NC		1.0		±30 %	50	±20 %
ELLVFG1R5NC		1.5	61	1300	1550		c	
ELLVFG2R2NC		2.2	87	1100	1400		d	
ELLVFG3R3NC		3.3	110	980	1250		e	
ELLVFG4R7NC		4.7	150	740	1050		h	
ELLVFG6R8NC		6.8	230	600	840	k		
ELLVFG100MC		10.0	±20 %	380	550	640	m	
ELLVFG150MC		15.0		540	500	480	o	
ELLVFG220MC		22.0		710	350	430	r	
ELLVFG330MC		33.0		1160	280	330	t	
Series VGG	ELLVGG1R0N	1.0		±30 %	52	±20 %	2200	1800
	ELLVGG1R2N	1.2	61		2000		1600	B
	ELLVGG1R6N	1.6	73		1800		1550	C
	ELLVGG2R2N	2.2	92		1600		1400	D
	ELLVGG3R3N	3.3	130		1350		1100	E
	ELLVGG3R9N	3.9	150		1300		1000	F
	ELLVGG4R7N	4.7	170		1200		980	H
	ELLVGG6R8N	6.8	230	1000	800		K	
	ELLVGG100M	10.0	±20 %	280	800		730	M
	ELLVGG120M	12.0		480	690		580	N
	ELLVGG150M	15.0		640	600		490	O
	ELLVGG220M	22.0		800	500		460	R
	ELLVGG330M	33.0		1330	450		340	T
	ELLVGG470M	47.0		2100	350		270	V
Series VGG-C	ELLVGG1R0NC	1.0		±30 %	47	±20 %	1400	2000
	ELLVGG2R2NC	2.2	79		1050		1500	D
	ELLVGG3R3NC	3.3	110		1000		1300	E
	ELLVGG4R7NC	4.7	130		900		1200	H
	ELLVGG6R8NC	6.8	180		700		1000	K
	ELLVGG100MC	10.0	±20 %	260	600		860	M
	ELLVGG120MC	12.0		280	550		730	N
	ELLVGG150MC	15.0		420	450		670	O
	ELLVGG220MC	22.0		530	410		600	R
	ELLVGG330MC	33.0		790	350		450	T
	ELLVGG470MC	47.0		1200	260		360	V
	ELLVGG101MC	100		2950	180		250	Z

*1 Saturation Rated Current : This DC current which causes a 30 % inductance reduction from its nominal value.

*2 Temperature Rise Current : This indicates the value of current when temperature rise dt/t= 40 °C (at 20 °C).

■ Embossed Carrier Tape Dimensions in mm (not to scale)

