

50-120A Current Transformer With Bus-bar (With DC Immunity)

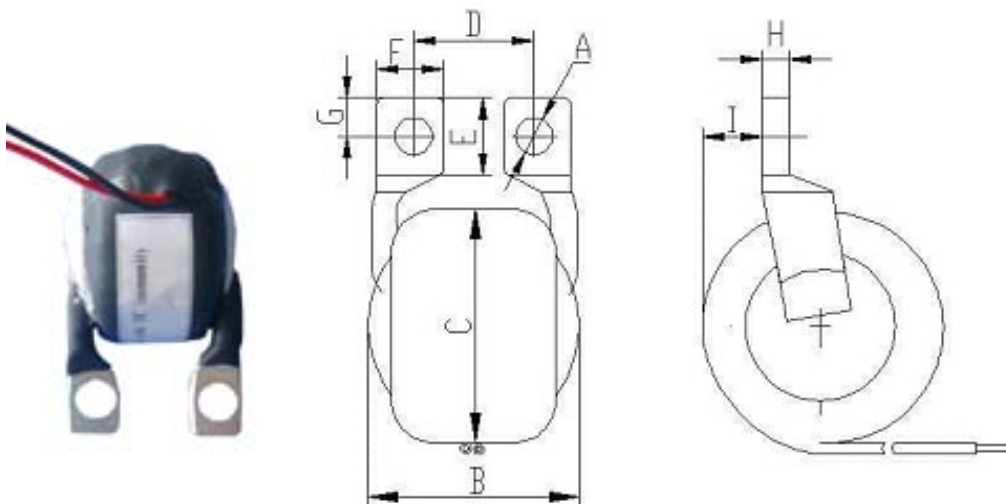
1. Specifications

CT	Measurement Current		Ratio		Load	Insulation voltage	Phase error	Accuracy Class
	Model NO.	AC	DC	Current				
DCT206	6A	4.5A	6A/2.4mA	1:2500	10/20Ω	3000V	<15'	0.1
DCT105	40A	30A	50A/20mA	1:2500	12.5Ω	3000V	<15'	0.1
DCT106	60A	45A	60A/24mA	1:2500	12.5Ω	3000V	<15'	0.1
DCT107	80A	60A	80A/32mA	1:2500	12.5Ω	3000V	<15'	0.1
DCT108	100A	75A	100A/40mA	1:2500	12.5Ω	3000V	<15'	0.1
DCT109	120A	85A	120A/48mA	1:2500	12.5Ω	3000V	<15'	0.1

2. Features

- AC measurement capacity is with 20-30% reservation on base of the meter measurement range
- Outstanding DC measurement capacity, more than 70% of the AC measurement range
- High accuracy, AC measurement accuracy up to class 0.5 or class 1.0;
- Typical DC measurement error is at 0.5%-2% for 0.1class CT.
- Small phase error, typical phase shift is at 1-10'; Additional compensation not needed
- Good isolation from Primary to Secondary
- Very reliable and stable performance at different temperature conditions
- Frequency: 50Hz/60Hz Ambient Temperature: -40°C -- 70°C

3. Size and Dimensions



CT	Out Dimension(mm)								
Model	A	B	C	D	E	F	G	H	I
DCT206	4.5	20±1	29±1	18/20/21	12	8	5	1.5±0.3	8±1
DCT105	4.5	20±1	29±1	18/20/21	12	8	5	1.5±0.3	8±1
DCT106	4.5/5.2	25±1	32±1	18/20/21	10	9	5	2.6±0.3	8.5±1
DCT107	5.2/6.2	30±1	34±1	18/20/21	11	9.4	6	3±0.3	11±1
DCT108	5.2/6.2	30±1	34±1	18/20/21	11	9.4	6	3±0.3	11±1
DCT109	6.2	30±1	34±1	18/20/21	11	9.4	6	3±0.3	11±1

- Bus-bar shape and fixing dimension could be specially designed according to customer's meter box
- Dimension A,B,C,D,E,F,G could be changed according special requirement, too

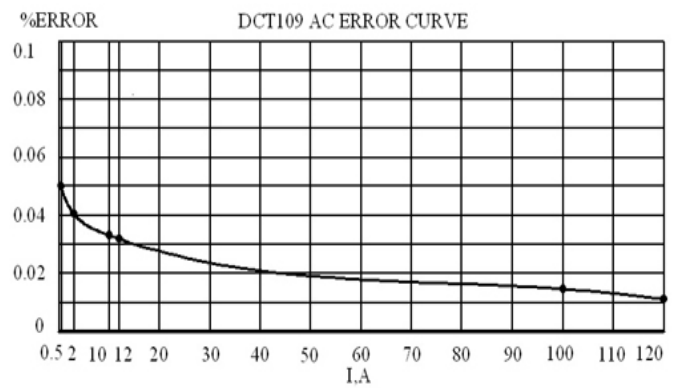
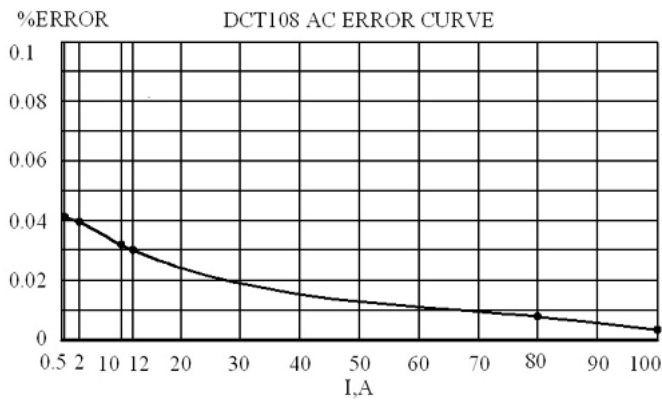
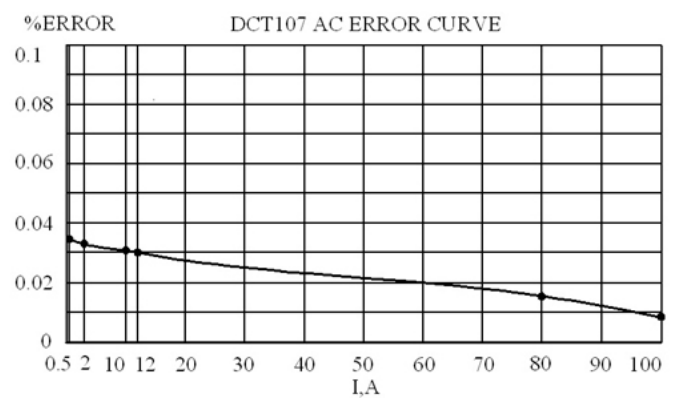
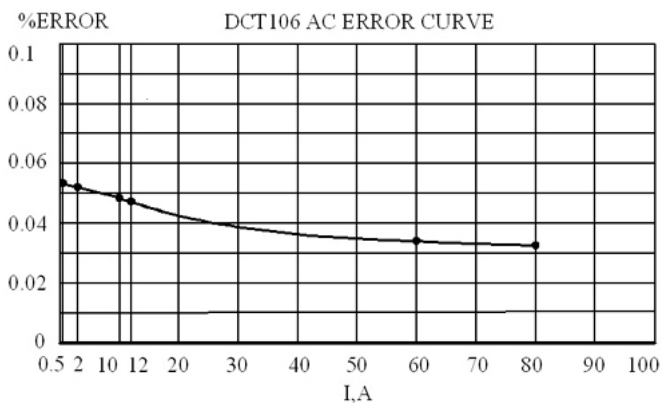
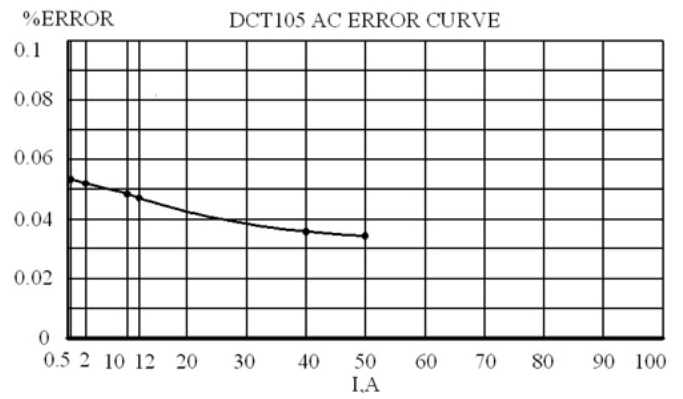
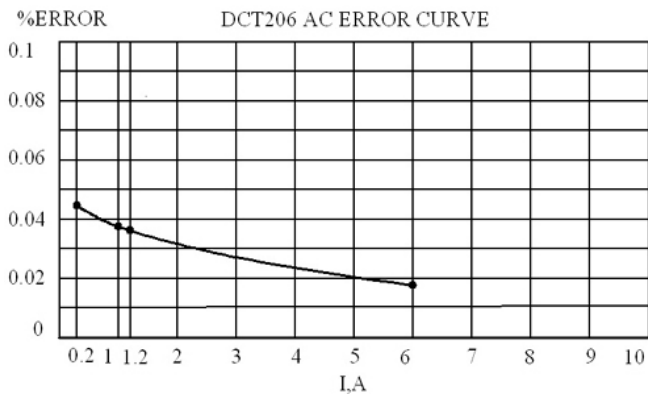
3. Application

- kWh Electric Meter with DC immunity
- DC electric mechanical controlling system
- Accurate DC measurement
- Replacement of Hall Sensor and shunt

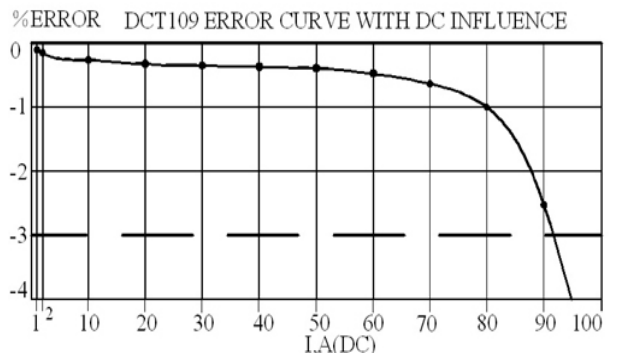
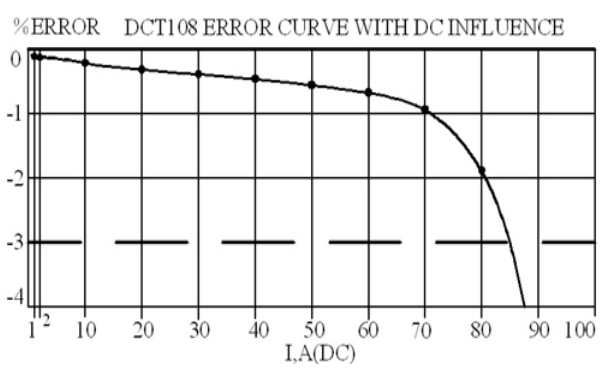
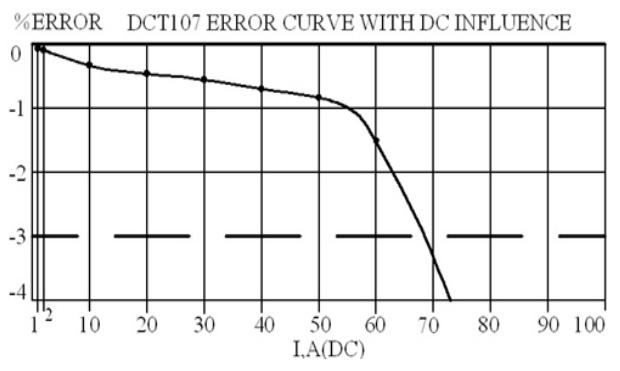
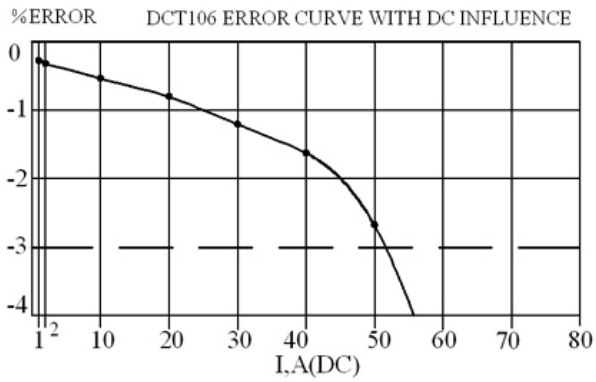
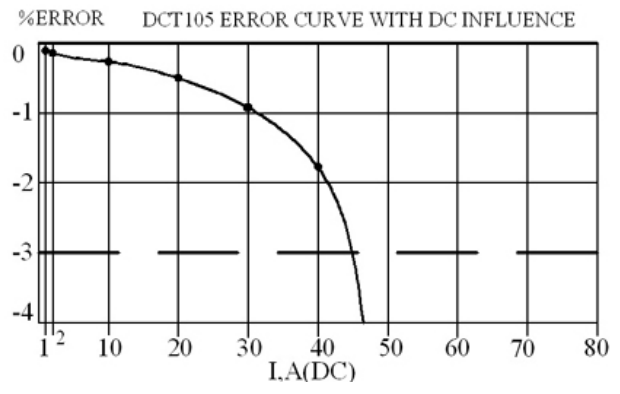
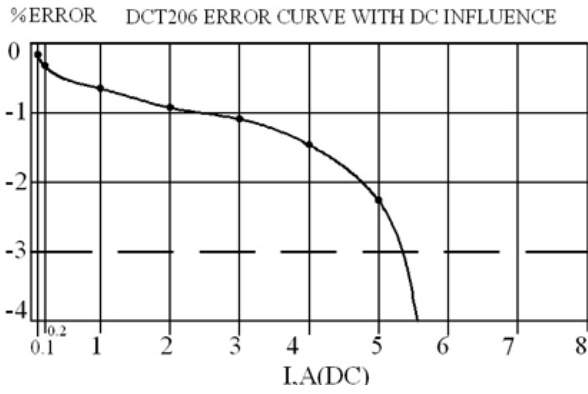
4. Package

- Good quality carton. Carton size: 37×26×30cm
- DCT206 (used in 5A or 6A kWh meter), 300pcs/CTN 15kg/CTN;
- DCT105 (used in 30A or 40A kWh meter), 300pcs/CTN 17kg/CTN;
- DCT106 (used in 50A or 60A kWh meter), 300pcs/CTN 19kg/CTN;
- DCT107 (used in 80A kWh meter), 300pcs/CTN 27kg/CTN;
- DCT108 (used in 100A kWh meter), 300pcs/CTN 27kg/CTN;
- DCT109 (used in 120A kWh meter), 300pcs/CTN 28kg/CTN

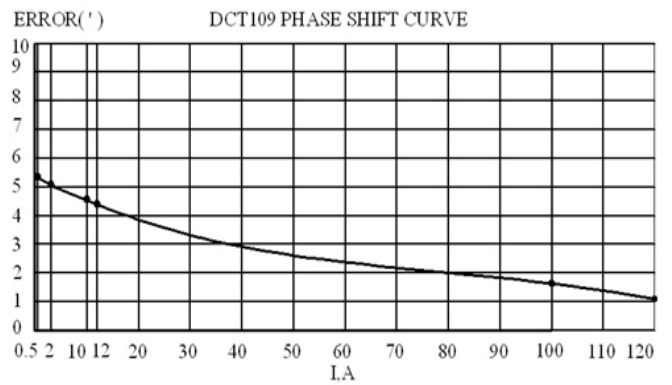
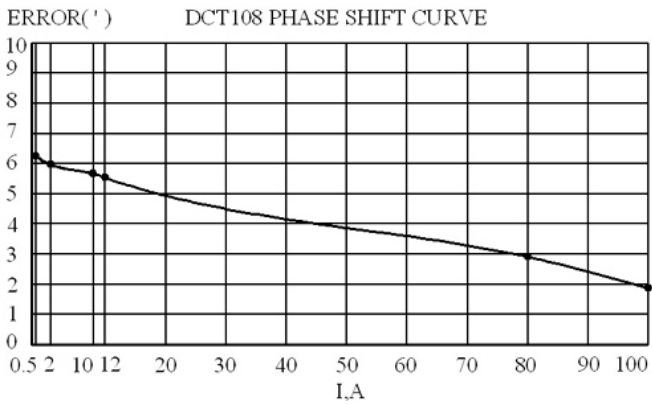
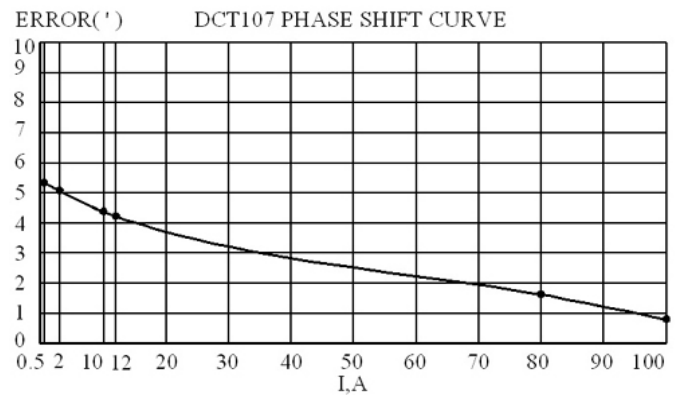
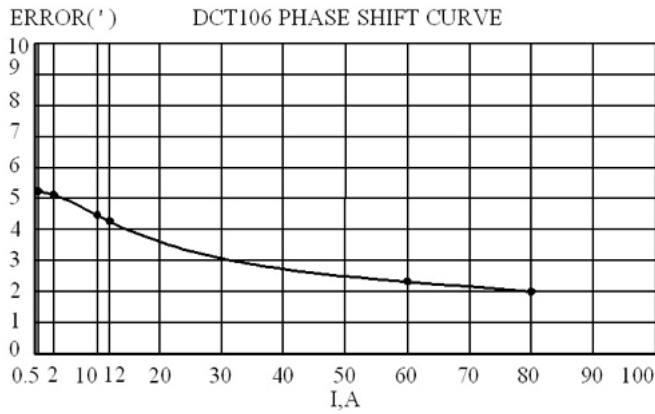
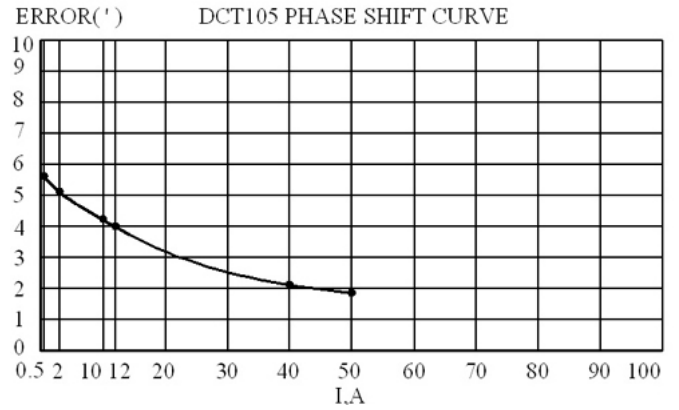
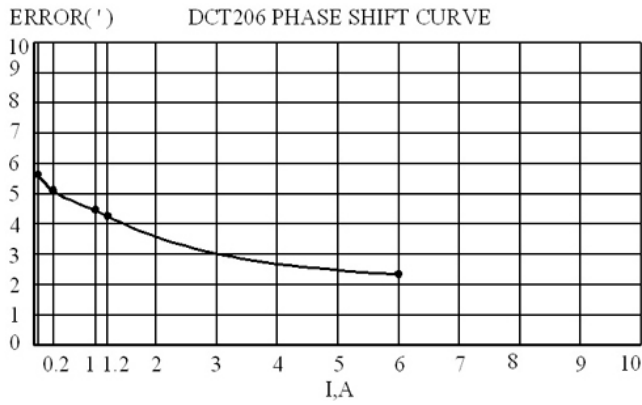
5. AC Error Curve



6. Meter Measurement Error Curve with DC influence

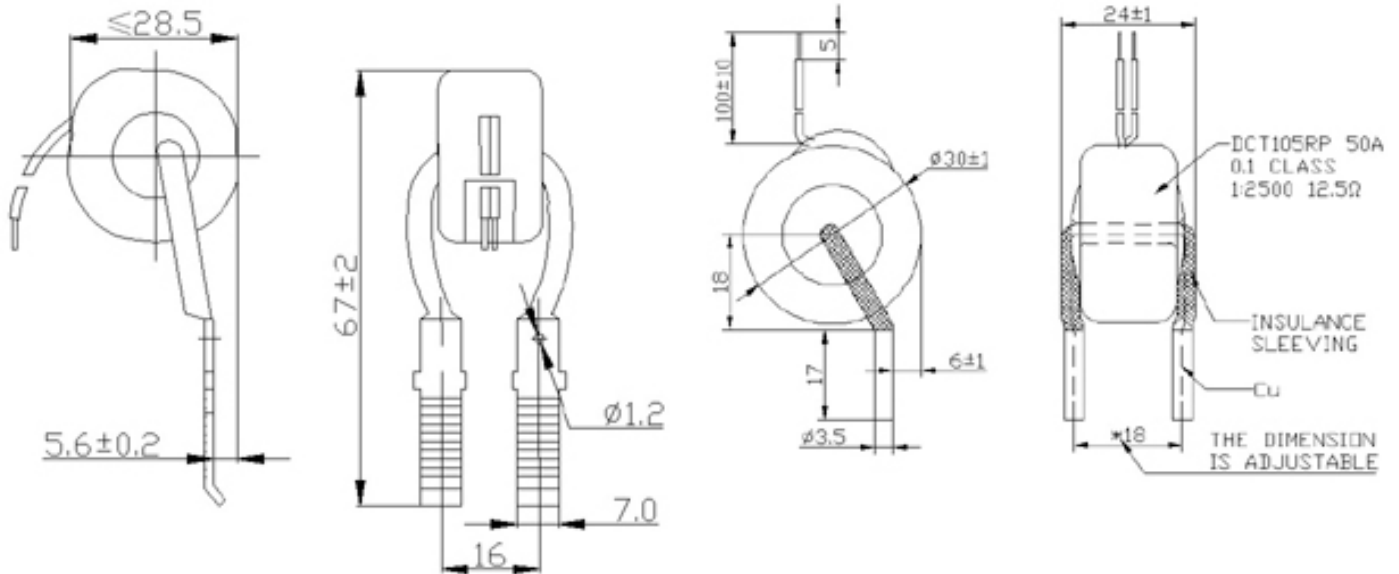


7. Phase error curve

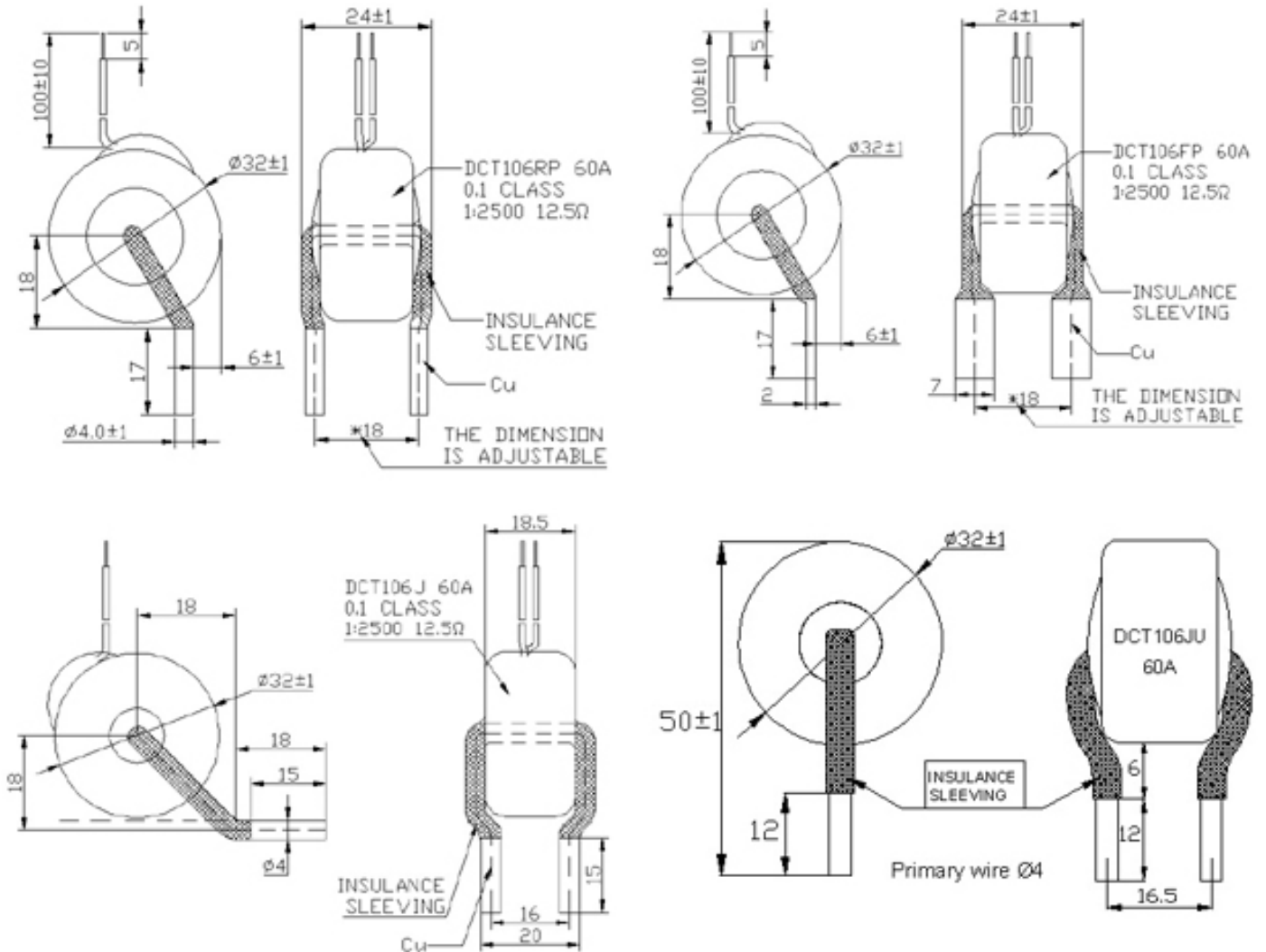


8. Existed Current Transformer for reference

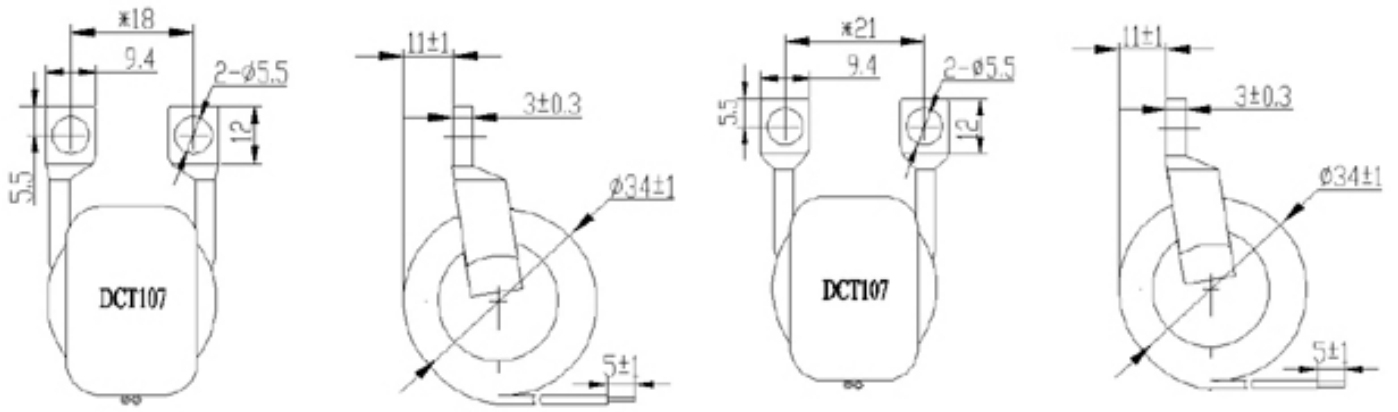
50A



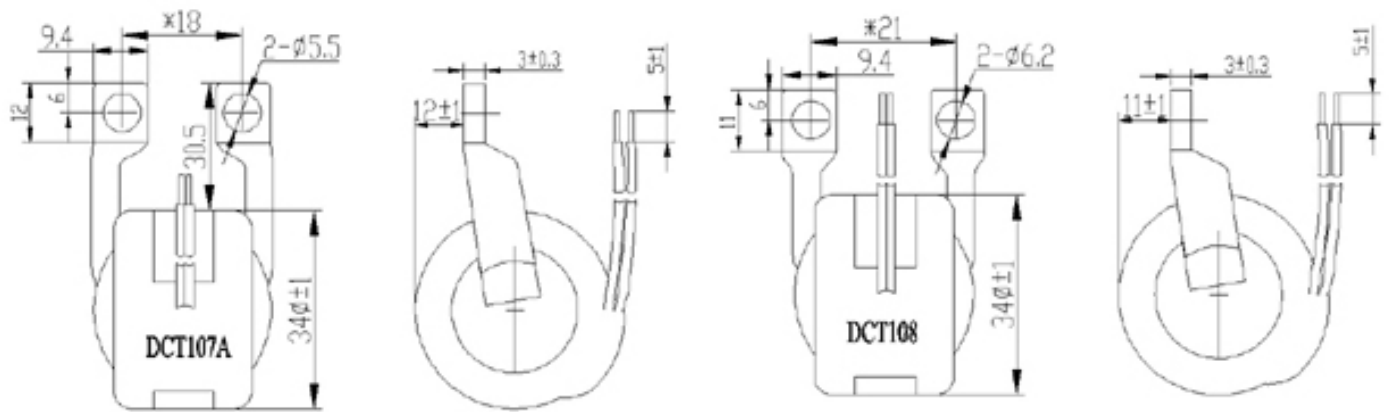
60A



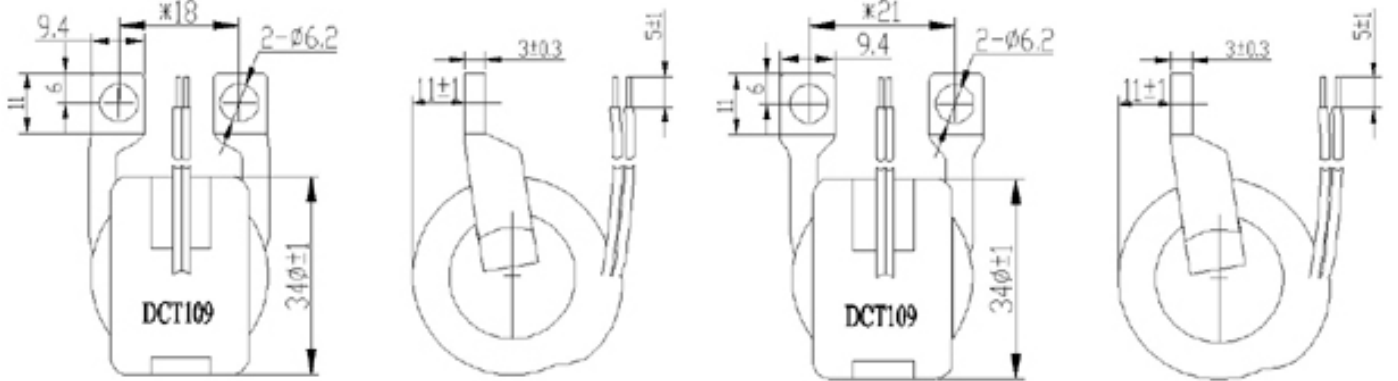
80A



100A



120A



CONNECTIONS

