

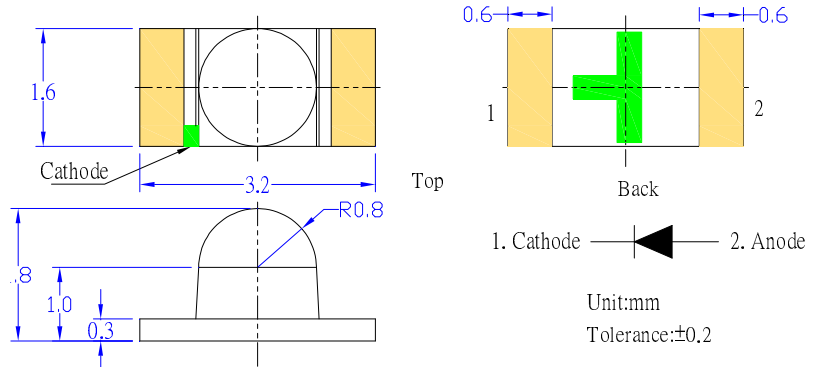
■Features

- Single chip
- Super high brightness of surface mount LED
- Compact package outline
(L x W x T) of 3.2mm x 1.6mm x 1.8mm
- Compatible to IR reflow soldering.

■Applications

- Backlighting (switches, keys, etc.)
- Marker lights (e.g. steps, exit ways, etc.)

■Outline Dimension



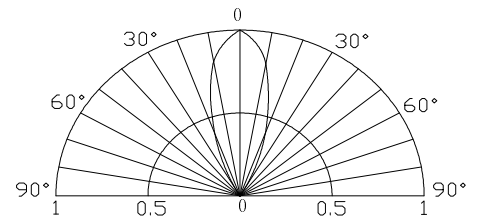
■Absolute Maximum Rating

(Ta=25°C)

Item	Symbol	Value		Unit
		WT/MT/BL/TG	YG/YL/OR/HR	
DC Forward Current	I _F	30	30	mA
Pulse Forward Current*	I _{FP}	100	100	mA
Reverse Voltage	V _R	5	5	V
Power Dissipation	P _D	102	72	mW
Operating Temperature	Topr	-40 ~ +85		°C
Storage Temperature	Tstg	-40 ~ +85		°C
Lead Soldering Temperature	Tsol	260°C/5sec		-

*Pulse width Max 0.1ms, Duty ratio max 1/10

■Directivity



■Electrical -Optical Characteristics

(Ta=25°C)

Part Number	Color			V _F (V)			I _R (μA)	I _v (mcd)			λD (nm)			2θ1/2 (deg)
				Min.	Typ.	Max.	Max.	Min.	Typ.	Max.	Min.	Typ.	Max.	Typ.
				I _F =20mA			V _R =5V			I _F =20mA				
OSB5120641E	Blue	B5		2.8	-	3.4	10	650	850	-	460	465	475	35
OSG5120641E	True Green	G5		2.8	-	3.4	10	2000	2500	-	515	520	530	35
OSG8120641E	Yellow green	G8		1.8	-	2.4	10	100	150	-	565	570	575	35
OSY5120641E	Yellow	Y5		1.8	-	2.4	10	300	500	-	585	590	595	35
OSO5120641E	Orange	O5		1.8	-	2.4	10	300	400	-	600	605	610	35
OSR5120641E	Red	R5		1.8	-	2.4	10	650	850	-	615	620	630	35

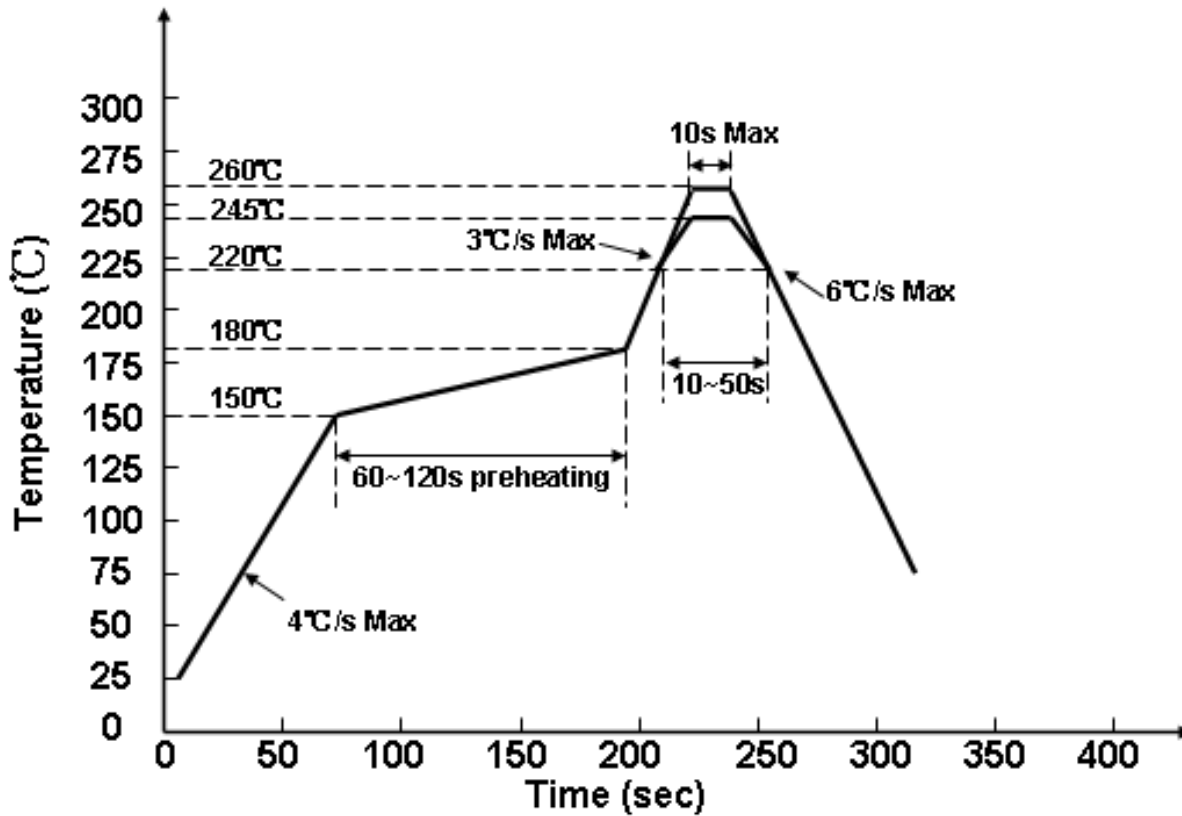
Note: * Vf tolerance: ±0.05V

* Dominant wavelength tolerance: ±1nm

* Luminous intensity is NIST reading. Luminous intensity tolerance: ±10%



■ For Lead Free Solder



Notes:

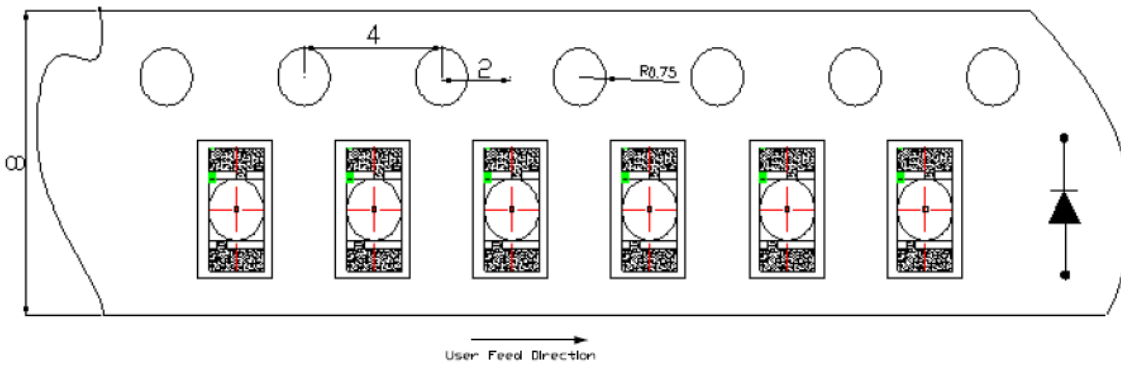
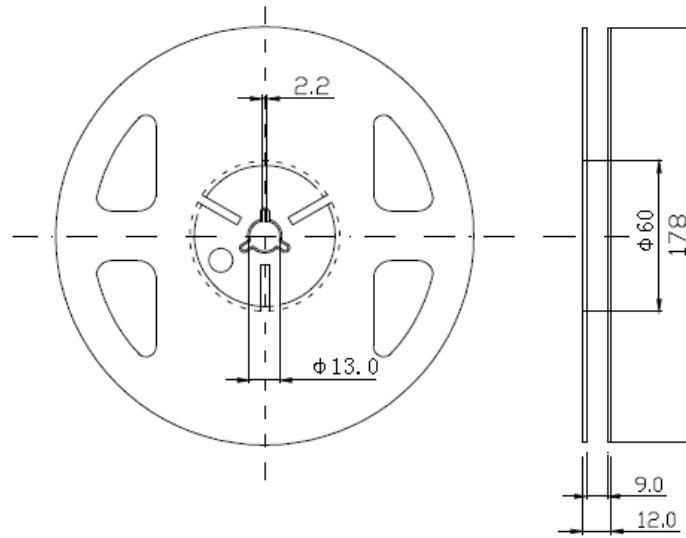
We recommend the soldering temperature $245 \pm 5^{\circ}\text{C}$;

The maximum temperature should be limited to 260°C .



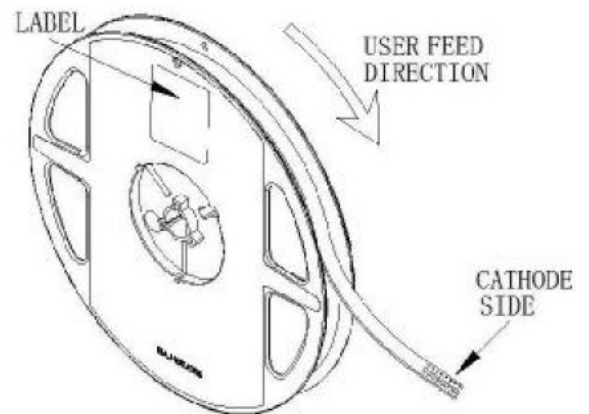
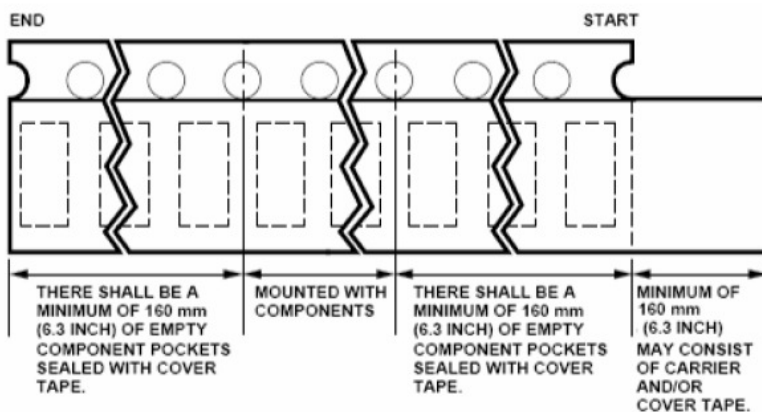
■Packaging

1. Reel And Tape Dimensions (3000PCS/Reel)



Notes: All dimensions are in millimeters

2. Tape leader & Trailer Dimensins And Reel



3. Bag packaging

