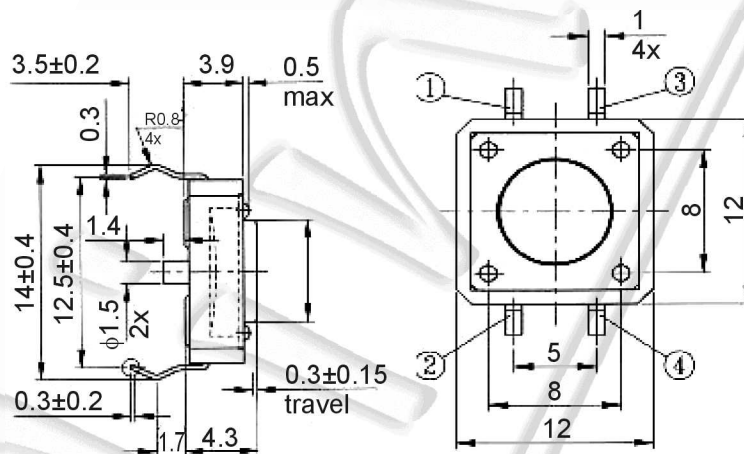
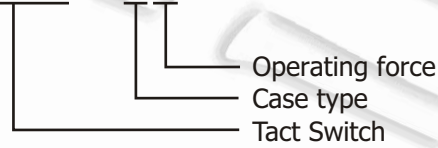




Specification:

- 1) Rating: 12 VDC, 50 mA
- 2) Travel: 0.25 ± 0.1 mm
- 3) Contact resistance: 100 mW max.

TACT-24N



OPERATING FORCE

- N 160 ± 50 gf
- R 250 ± 100 gf

CASE TYPE

- 4 plastic case
- 5 metal case

CIRCUIT DIAGRAM

