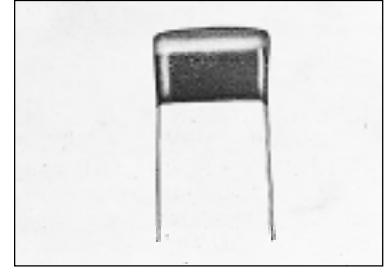


EPOXY COATED, NON-INDUCTIVE, CAPACITORS,  
RADIAL LEAD

### FEATURES

- NON-INDUCTIVE CONSTRUCTION
- EPOXY RESIN COATED FOR EXCELLENT MOISTURE RESISTANCE
- HIGH STABILITY WITH FREQUENCY OVER AN EXTENDED OPERATING LIFE
- HIGH PERFORMANCE AT LOW COST
- LEAD FORMING AND CUT LEADS AVAILABLE
- METALLIZED CONSTRUCTION PROVIDE SELF HEALING CHARACTERISTICS

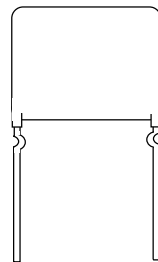
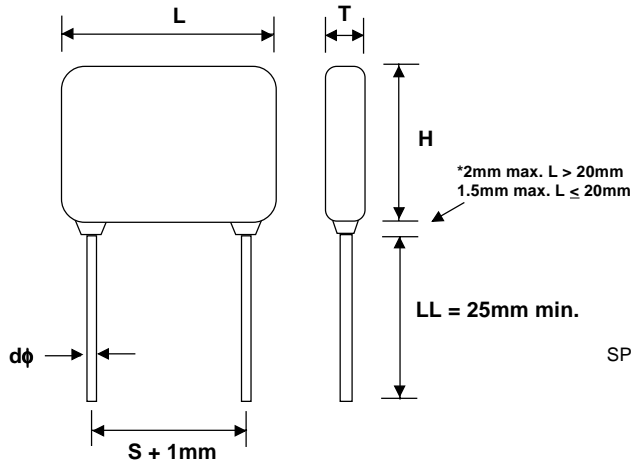
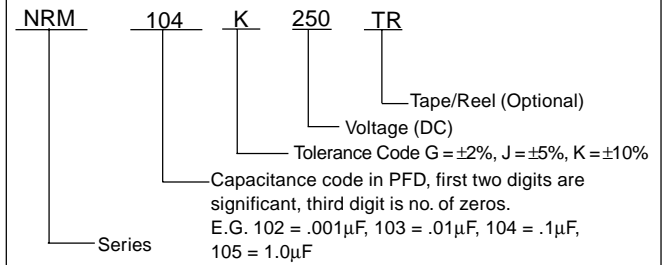


LEADED

### SPECIFICATIONS

Operating Temperature	-40°C to +105°C (voltage derating 1.5%/°C above 85°C)
Rated Voltage (VDC)	100V, 250V, 400V 630V
Capacitance Range	0.01 to 6.8 μF
Capacitance Tolerance	±10% (K), ±5% (J)
Insulation Resistance	C<0.33μF IR≥15,000 Megohm C≥0.33μF IR≥5,000 Megohm/μF
Dissipation Factor	≤.01 (at 1 KHZ)
Dielectric Strength	150% of Rated Voltage for 5 Seconds

### PART NUMBER



SPECIAL LEAD FORMING AVAILABLE,  
PLEASE CONSULT FACTORY

### LEAD SPACING AND DIAMETER (mm)

	L	12.5	18.0	26.0	31.0
S	10.0	15.0	22.5	27.5	
dØ	0.6	0.8	0.8	0.8	

### STANDARD PRODUCTS AND CASE SIZE TABLE (mm)

Cap (μF)	Working Voltage											
	100VDC/63VAC			250VDC/160VAC			400VDC/200VAC			630VDC/220VAC		
	L	T	H	L	T	H	L	T	H	L	T	H
0.01				12.5	5.0	9.5	12.5	5.0	9.5	12.5	5.0	9.5
0.015				12.5	5.0	9.5	12.5	5.0	9.5	12.5	5.0	9.5
0.022				12.5	5.0	9.5	12.5	5.0	9.5	12.5	7.0	10.5
0.033	12.5	5.0	9.5	12.5	5.0	9.5	12.5	5.5	10.5	18.0	6.0	11.0
0.047	12.5	5.0	9.5	12.5	5.0	9.5	12.5	6.0	10.5	18.0	6.5	11.5
0.068	12.5	5.0	9.5	12.5	5.0	9.5	18.0	6.0	10.5	18.0	7.0	12.5
0.1	12.5	5.0	9.5	12.5	5.5	10.0	18.0	6.5	11.5	26.0	7.0	13.0
0.15	12.5	5.0	10.0	12.5	6.5	10.5	26.0*	6.0*	12.5*	26.0	8.5	14.0
0.22	12.5	5.5	10.0	18.0	6.5	11.5	26.0*	7.0*	15.0*	26.0	10.0	16.5
0.33	12.5	6.5	10.5	18.0	7.0	12.5	26.0	8.5	15.5	31.0	10.5	17.5
0.47	18.0	6.5	11.5	26.0	7.0	12.5	26.0	9.5	18.0	31.0	12.0	19.5
0.68	18.0	6.5	12.0	26.0	8.0	14.5	26.0	12.0	18.5	31.0	15.0	22.5
1.0	18.0	7.5	14.0	26.0	10.5	17.5	31.0	12.0	20.0	31.0	19.0	27.0
1.5	26.0	7.5	14.5	26.0	10.5	18.0	31.0	13.5	23.5			
2.2	26.0	9.0	16.0	31.0	12.5	19.0	31.0	16.5	26.0			
3.3	26.0	11.0	19.0	31.0	14.0	23.0						
4.7	31.0	12.0	23.0	31.0	16.5	27.0						
6.8	31.0	14.0	25.0									



\*REDUCED SIZE 18mmx 8.5mm x15mm ALSO AVAILABLE.