

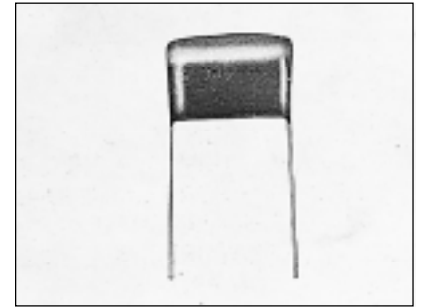
# Metalized Polyester Film Capacitors

NRM-S Series

EPOXY COATED, NON-INDUCTIVE, CAPACITORS,  
REDUCED SIZE, RADIAL LEAD

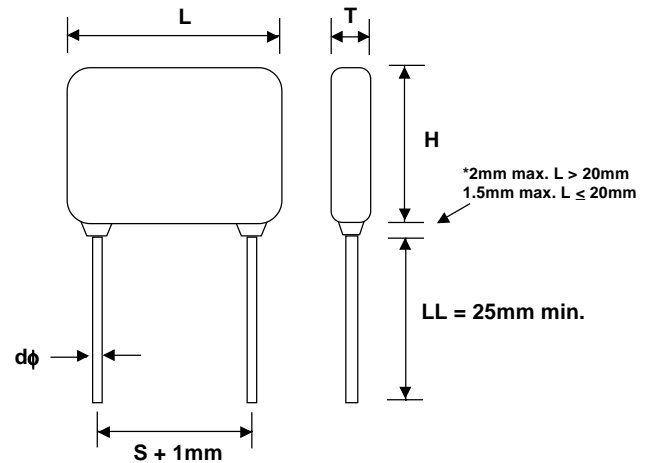
## FEATURES

- NON-INDUCTIVE CONSTRUCTION
- EPOXY RESIN COATED FOR EXCELLENT MOISTURE RESISTANCE
- METALLIZED CONSTRUCTION PROVIDE SELF HEALING CHARACTERISTICS
- HIGH STABILITY WITH FREQUENCY OVER AN EXTENDED OPERATING LIFE
- HIGH PERFORMANCE AT LOW COST
- REDUCED SIZE
- LEAD FORMING AND CUT LEADS AVAILABLE

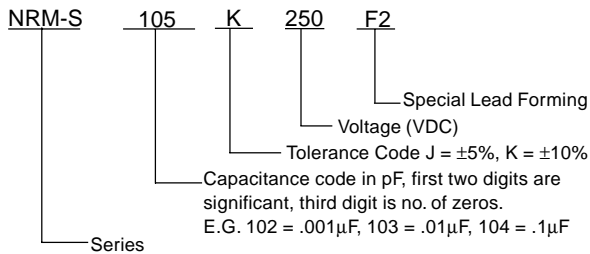


## SPECIFICATIONS

Operating Temperature	-40°C to +85°C
Rated Voltage (DC)	100V, 250V, 400V, 630V
Capacitance Range	0.01μF to 10.0μF
Capacitance Tolerance	± 10% (K), ± 5% (J)
Insulation Resistance	C < .33μF, R > 9,000 Megohms @ 25°C C > .33μF, R > 3,000 Megohms/μF
Dissipation Factor	1% max. @ 1Khz/25°C
Dielectric Strength	150% of rated voltage for 5 sec.



## PART NUMBER



## STANDARD PRODUCTS AND CASE SIZE TABLE (mm)

Cap (μF)	Working Voltage											
	100VDC/63VAC			250VDC/160VAC			400VDC/200VAC			630VDC/220VAC		
	L	T	H	L	T	H	L	T	H	L	T	H
0.010										12.5	5.0	8.5
0.015										12.5	5.5	8.5
0.022										12.5	5.5	10.5
0.033										12.5	6.5	11.0
0.047							12.5	5.5	8.5	12.5	7.5	12.0
0.068							12.5	6.0	10.0	18.5	6.5	11.5
0.10							12.5	7.0	11.0	18.5	7.0	12.0
0.15							18.5	5.5	12.0	18.5	8.0	15.0
0.22				12.5	8.5	10.5	18.5	6.5	13.0	18.5	9.5	17.5
0.33				12.5	7.0	12.0	18.5	7.5	14.0	26.0	8.5	18.0
0.47				18.5	6.0	12.5	18.5	8.5	16.5	26.0	10.5	18.5
0.68	12.5	6.5	10.5	18.5	7.0	13.5	26.0	7.5	17.0	26.0	12.0	22.0
1.0	12.5	7.0	12.0	18.5	8.0	18.0	26.0	8.5	18.5	31.0	13.5	22.0
1.5	18.5	8.5	13.0	18.5	9.5	17.5	31.0	9.5	19.0	31.0	18.5	25.0
2.2	18.5	7.5	15.5	26.0	9.0	17.5	31.0	11.5	21.5	31.0	20.0	29.0
3.3	18.5	9.0	16.5	26.0	11.0	19.5						
4.7	26.0	8.0	16.5	26.0	12.5	22.5						
6.8	26.0	9.5	17.5	31.0	14.0	22.5						
10.0	26.0	11.0	21.0	31.0	16.0	28.5						

## LEAD SPACING AND DIAMETER

L	12.5	18.0	26.0	31.0
S	10.0	15.0	22.5	27.5
dφ	0.6	0.8	0.8	0.8

