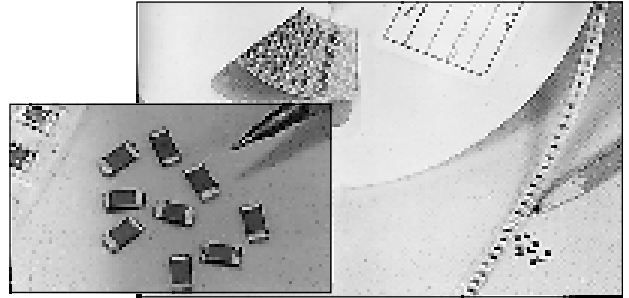


### FEATURES

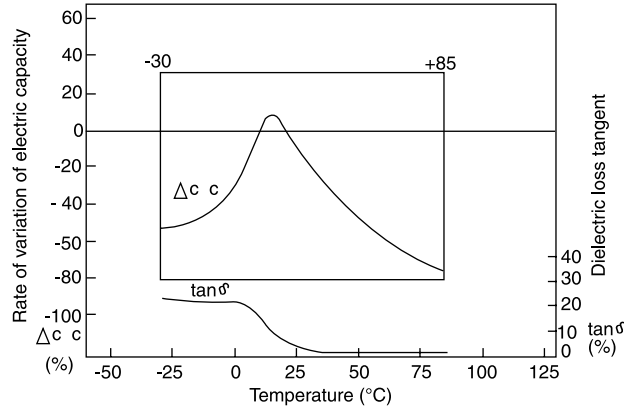
- HIGH K DIELECTRIC
- HIGH CAPACITANCE DENSITY
- HIGH CV VALUES AVAILABLE
- EXCELLENT MECHANICAL STRENGTH
- NICKEL BARRIER TERMINATIONS



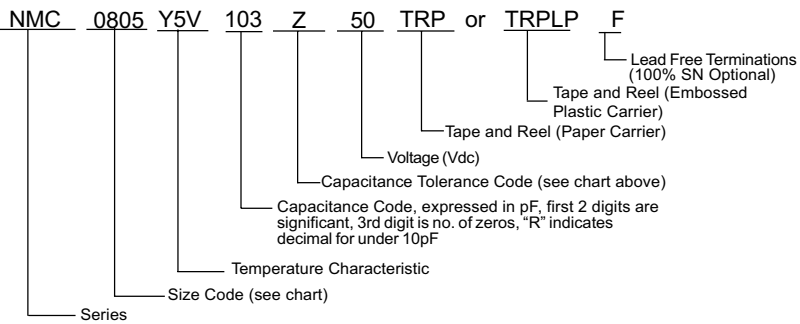
### SPECIFICATIONS Y5V

Capacitance Range	1000pF to 100μF
Capacitance Tolerances	+80% -20%(Z)
Operating Temperature Range	-30°C to +85°C
Temperature Characteristics	+22% to -82% max. over temperature range
Rated Voltages	6.3Vdc, 10Vdc, 16Vdc, 25Vdc, 50Vdc
Dissipation Factor	See Size Chart
Insulation Resistance (+25°C, Rated Voltage)	10,000 Megohms or 100 ohm/F, whichever is less
Dielectric Withstanding Voltage	150% of Rated Voltage for 1 to 5 seconds
Test Conditions (EIA-198-2E)	1kHz, 1.0V ±0.2Vrms

Typical Y5V C and DF Change over Temp.



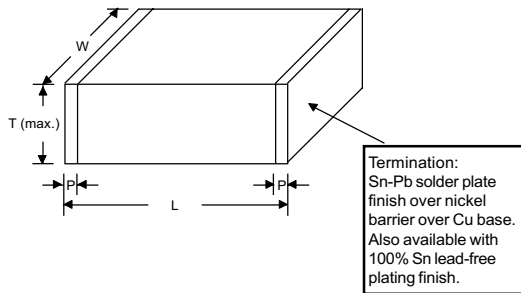
### PART NUMBERING SYSTEM



**Y5V CAPACITOR SIZE CHART (mm)**

EIA Case Size	0201	0402					0603			0805			
Length L	0.6±0.03	1.0±0.05					1.6±0.15			2.0±0.2			
Width W	0.30±0.03	0.5±0.05					0.8±0.15			1.25±0.2			
Thickness (max.) T	0.33	0.6					1.0			1.30			
Termination Width P	0.15±0.05	0.2±0.1					.12 ~ .51			.25 ~ .71			
Capacitance	Working Voltage (Vdc)												
	6.3	16	10	16	25	50	16	25	50	10	16	25	50
1000pF		12.5%											
1500		12.5%											
2200		12.5%											
2700		12.5%											
3300		12.5%											
3900		12.5%											
4700		12.5%				5%							
6800		12.5%				5%							
.01µF	12.5%	12.5%				5%			7%			7%	5%
.015	12.5%					5%			7%			7%	5%
.022	12.5%				7%	5%			7%			7%	5%
.033	12.5%			12.5%	7%				7%			7%	5%
.047	12.5%			12.5%					7%			7%	5%
.068				12.5%					7%			7%	5%
.1			12.5%	12.5%				7%	7%			7%	5%
.15			12.5%					7%				7%	5%
.22			12.5%				9%	7%				7%	5%
.33			12.5%				12.5%					7%	7%
.47			12.5%				12.5%					7%	7%
.68							12.5%					7%	7%
1.0							12.5%			12.5%	9%	7%	7%
2.2										12.5%	9%		
3.3										12.5%			
4.7										12.5%	13%		
6.8										20%			
10										20%			
22													
47													
100													

Notes: 1.\* For values above 10µF consult factory  
 2. For values below 1000pF see X5R and X7R



## Y5V CAPACITOR SIZE CHART (mm)

EIA Case Size	1206				1210				1812			
Length L	3.2±0.2				3.2±0.2				4.5±0.3			
Width W	1.6±0.2				2.5±0.2				3.2±0.25			
Thickness (max.) T	1.80*				1.80*				1.80			
Termination Width P	.25-.71				.25-.71				.25-.76			
Capacitance												
	10	16	25	50	6.3	10	16	25	50	6.3	10	
1000pF												
1500												
2200												
2700												
3300												
3900												
4700												
6800												
.01µF												
.015												
.022												
.033												
.047				5%								
.068				5%								
.1				5%					5%			
.15				5%					5%			
.22				5%					5%			
.33				5%					5%			
.47				5%					5%			
.68				5%					5%			
1.0		9%	7%	7%					5%			
2.2		9%	7%	7%				5%				
3.3		9%						5%				
4.7	12.5%	9%						5%				
6.8	12.5%							5%				
10	12.5%						9%	5%				
22	20%											
47					16%							16%
100					20%							16%

Note: \* For values above 10µF consult factory