

**Technical Information**  
(Catalytic Type Ammonia Gas Sensor)

**Model NC-180S-N**  
(Single Header Type)  
**For Industrial Application**

〒168-0072 4-10-9, Takaido-higashi, Suginami-ku, Tokyo  
Nemoto & Co., Ltd. Sensor Div.  
TEL. 81-3-3333-7341  
FAX. 81-3-3333-7344  
E-mail [sensor2@nemoto.co.jp](mailto:sensor2@nemoto.co.jp)  
URL <http://www.nemoto.co.jp/>

## 1. General

Catalytic type gas sensor NC series were developed for industrial applications, and NC-180S-N is a single header type gas sensor for high concentration of ammonia gas. Shape is similar to NC-180, however the supply voltage and current is different from it. Features and typical application are as follows.

## 2. Features and applications

### 1) Features

- Good stability
- Excellent repeatability and detection accuracy
- Good linearity against gas concentration
- Quick response
- Down-sizing for design flexibility of gas alarm or detector

### 2) Applications

- Fixed type gas alarm or detector for ammonia gas
- Ammonia gas densitometer

## 3. Ratings

- 1) Supply voltage to sensor  
AC 2.2 +/- 0.1V(50–60Hz)  
DC 2.2 +/- 0.1V
- 2) Current (when 2.2V is supplied)  
AC 160 +/- 15mA(50–60Hz)  
DC 160 +/- 15mA
- 3) Ambient temperature and humidity in operation  
Temperature -20 - +60 degree C  
Humidity Less than 95%RH  
(without dew condensation)
- 4) Ambient temperature and humidity in storage  
Temperature -30 - +70 degree C  
Humidity Less than 99%RH  
(without dew condensation)
- 5) Detection range  
0 – 100%LEL  
(Except acetylene gas)

## 4. Specification

- 1) Zero offset value in air  
0 +/- 30mV  
(without trimming resistor)
- 2) Minimum sensitivity  
35mV/10%LEL of ammonia
- 3) Response time  
Less than 8 sec. at T90  
Less than 3 sec. at T50
- 4) Linearity  
Effectively linear to 60%LEL
- 5) Detection accuracy  
+/- 1%LEL
- 6) Span drift  
Less than 1%LEL/month
- 7) Zero offset drift  
Less than 0.5%LEL/month

8) Warranty period

24 months

5. Appearance and dimension

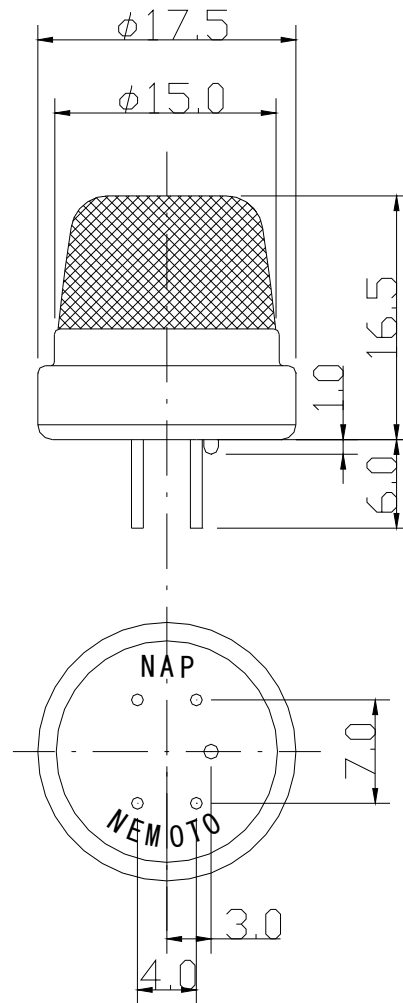


Fig. 1 : Appearance and dimensions

6. Measuring circuit diagram

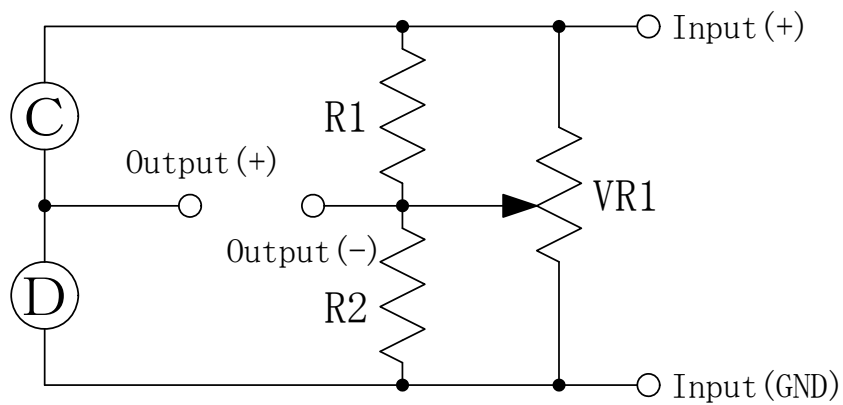


Fig. 2 : Recommended circuit diagram  
(R1, 2 : 200ohm, VR1 : 3Kohm)

### 7. Gas sensitivity characteristics

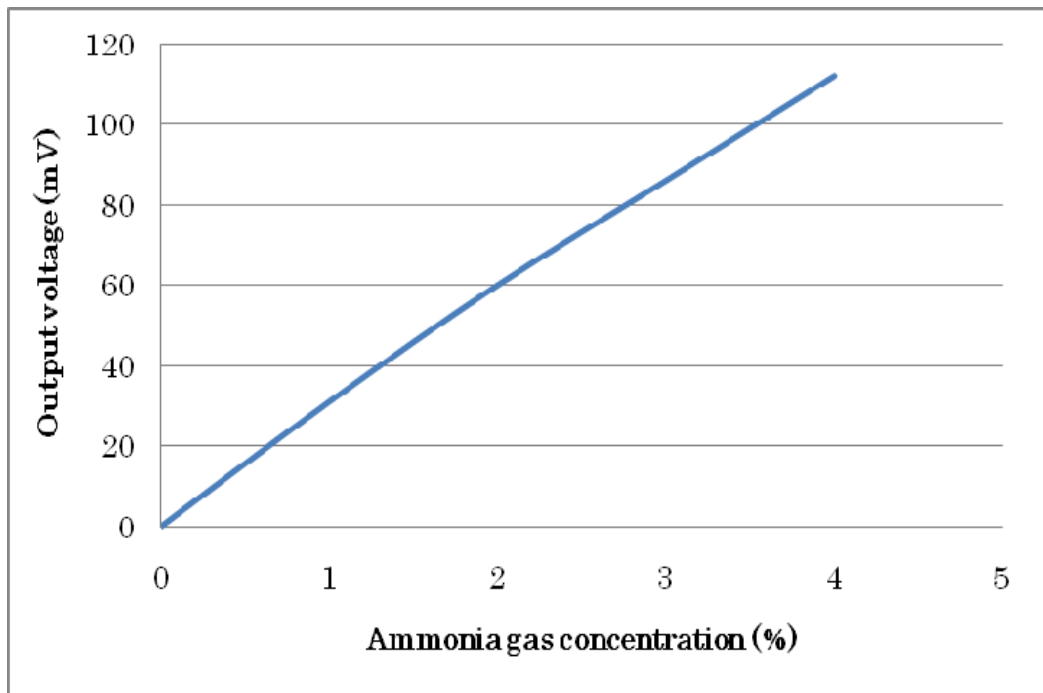


Fig. 3 : Gas sensitivity characteristics

### 8. Temperature dependence at 60%RH

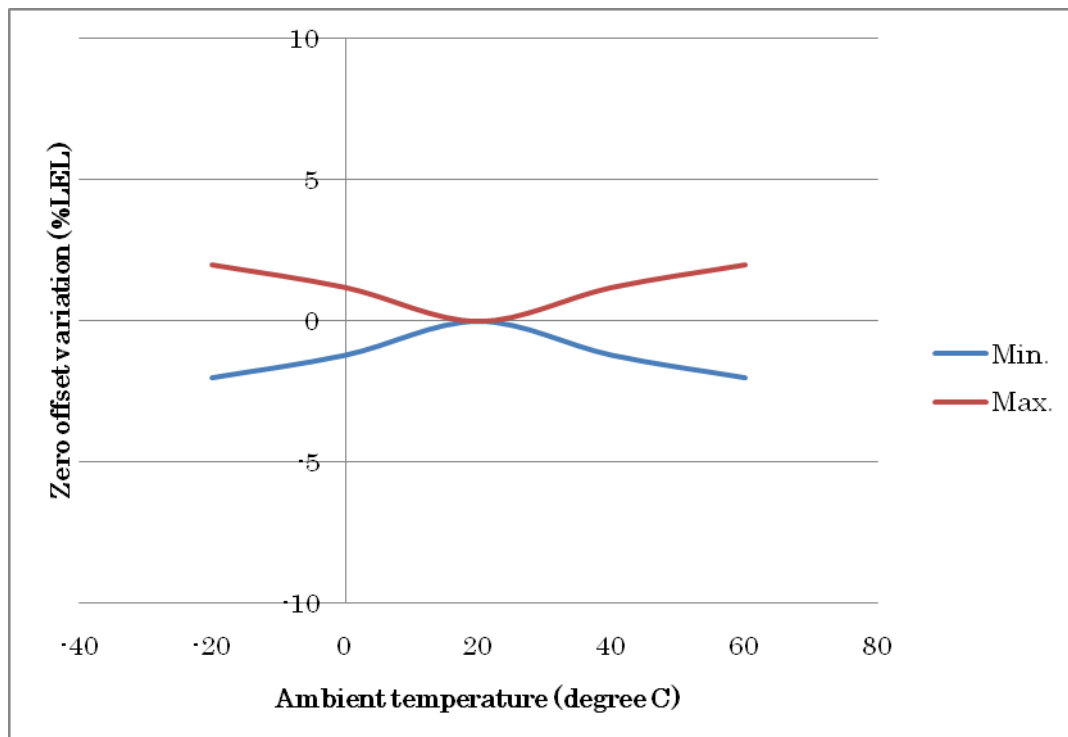


Fig. 4 : Temperature dependence of zero offset

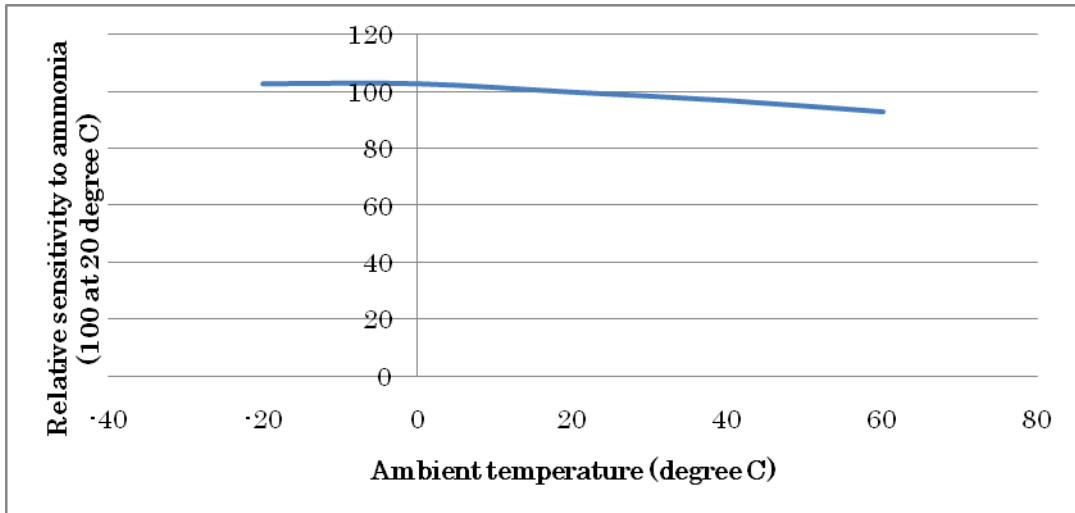


Fig. 5 : Temperature dependence of relative sensitivity to ammonia

### 9. Humidity dependence

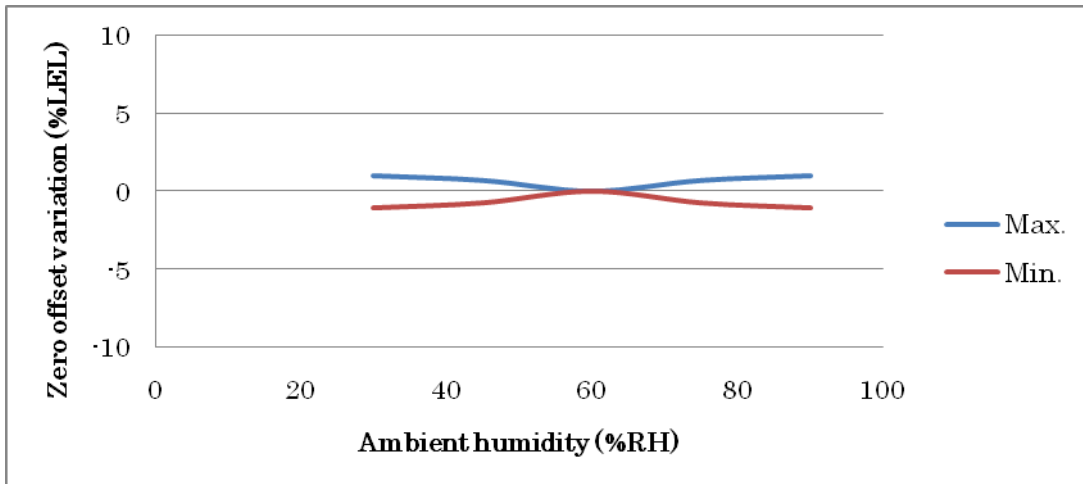


Fig. 6 : Humidity dependence of zero offset (at 25 degree C)

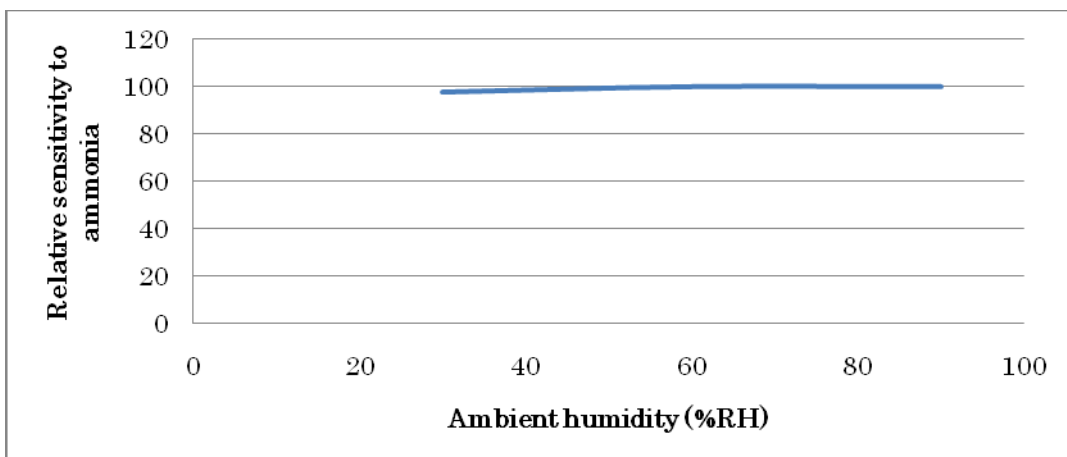


Fig.7 : Humidity dependence of relative sensitivity to ammonia

## 10. Sensitivity distribution

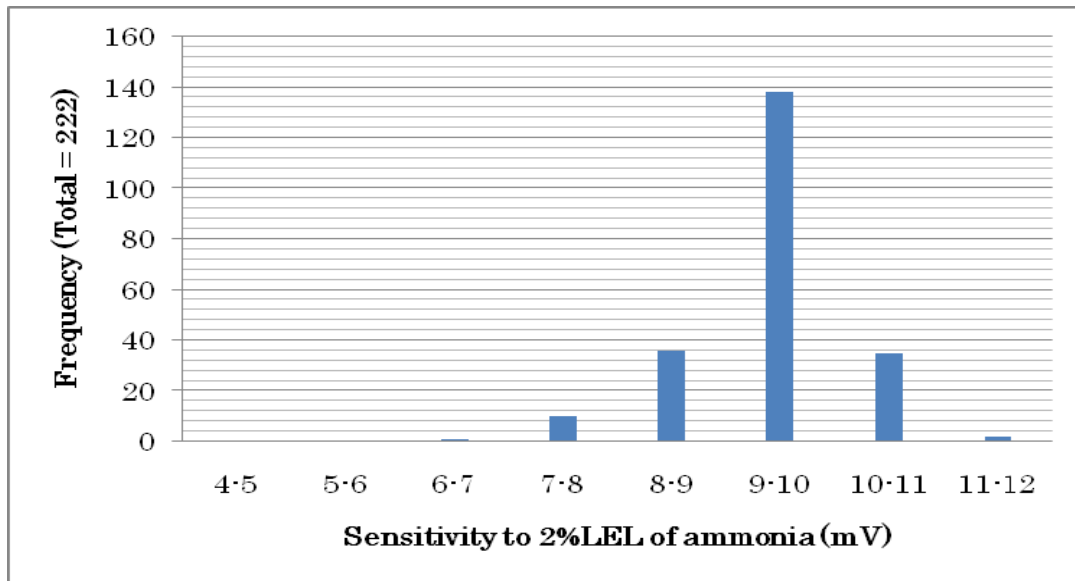


Fig. 8 : Sensitivity distribution

## 11. Relative sensitivity

(In case that sensitivity to ammonia is 100.)

Gas/Vapor	Chemical formula	LEL (%)	Relative sensitivity
<b>Std. Ammonia</b>	<b>NH3</b>	<b>15.0</b>	<b>100</b>
1 Acetone	(CH3)2CO	2.6	60
2 Ethanol	C2H5OH	3.3	55
3 Ethyl acetate	C2H5COOH	2.2	50
4 Ethylene	C2H4	2.7	60
5 Methane	CH4	5.0	0
6 Iso-butane	C4H10	1.8	30
7 Iso-propanol	CH3-C2H4COOH	2.2	50
8 Methanol	CH3OH	6.7	80
9 Methyl ethyl ketone	CH3-CO-C2H5	1.9	50
10 N-butane	C4H10	1.8	30
11 N-heptane	C7H16	1.05	40
12 N-hexane	C6H14	1.2	45
13 N-pentane	C5H12	1.4	40
14 Propane	C3H8	2.1	20
15 Toluene	C6H5CH3	1.2	50
16 Carbon monoxide	CO	12.5	100
17 Hydrogen	H2	4.0	75
18 Unleaded petrol	-	1.2	35

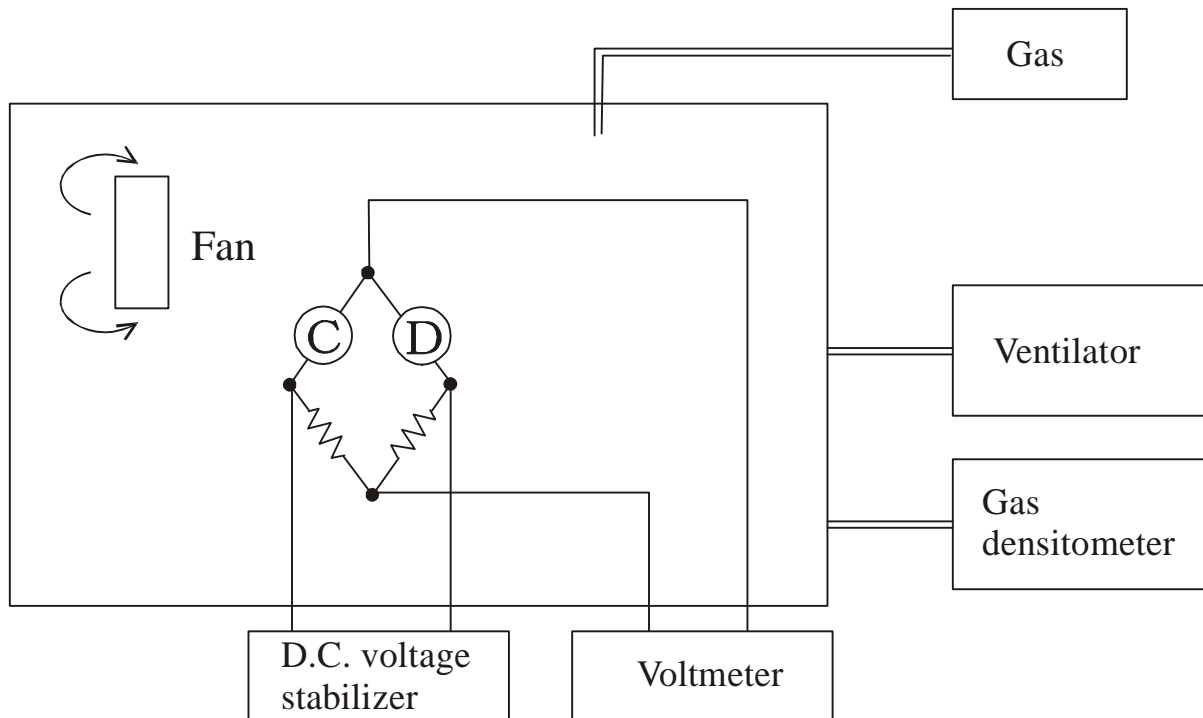
Remarks)

If other data are required, please contact us since sensitivity of many combustible gases except bad smell, dangerous, poisonous and high boiling temperature materials over 120 degree C are available for investigations.

## 12. Evaluation method

### 1. Test equipment

Outline of test equipment is as follows.



Remarks on equipments)

#### A) Test chamber

- Material of test chamber is to be inactive like metal, glass or acrylic resin which does not exhale and adsorb gases.
- Volume of test chamber is to be more than 1 liter per 1pc. of sensor.

#### B) Circumstance

- Clean circumstance is recommended as evaluation area. Dirty circumstance which contains combustible gases like organic solvent vapor is to be avoided.

#### C) Gas densitometer

- Laser gas densitometer is recommended, but volume method is available simply.

#### D) Agitation in test chamber

- Air agitation in test chamber is to be conducted carefully in order not to flow air to sensor directly. Air velocity to sensor is to be less than 0.5m/sec.

#### E) Power supply

- Both of AC power and DC power are available for sensor, however DC power supply is recommended for accurate evaluation.

#### F) Digital volt meter

- Since the impedance of sensor is fairly low, general digital volt meter having over 100kohm as input impedance is sufficiently available.

#### G) Ventilation

- Ventilator with ventilation capacity of over 10 times/min. of the volume of test chamber is recommended for the convenient evaluation.

#### H) Installation position of sensor in test chamber

- When the sensor is installed in test chamber, it should be careful that each sensor is to be in constant position because output signal changes in case that position of sensor changes. If the rough evaluation is carried out, such careful treatment is not necessary.

#### 2. Adjustment of gas concentration

Adjustment of gas concentration is to be conducted by volume method or by using laser gas densitometer. In case of volume method, gas volume to be injected into a chamber is obtained from the calculation formula below described.

$$V(m\ell) = Vi \cdot C \cdot 10^{-6} \frac{273 + Tr}{273 + Tc}$$

$V$  : Gas volume to be injected

$Vi$  : Volume of test chamber ( $m\ell$ )

$Tc$  : Temperature in test chamber ( $^{\circ}C$ )

$Tr$  : Room temperature ( $^{\circ}C$ )

$C$  : Target gas concentration ( $ppm$ )

#### 3. Evaluation method

##### A. Preliminary aging

- Before evaluation of sensor, preliminary aging at rated voltage for over 1 hr. is recommended for accurate evaluation.

##### B. Measurement

- At first, output voltage in clean air is measured. It should be confirmed that output voltage has to be stable without fluctuation.
- Output voltage is measured around 1min. later after the designated volume of gas is injected into a test chamber.
- Inside of test chamber should be substituted of clean air by ventilator.

#### 4. Notice on handling

- Sensor is to be gently handled without adding shock or dropping.
- Handling in a location which corrosive gases or poisonous gases exist is to be avoided.
- Sensor does not have to be dipped in water.
- Sensor does not have to be disassembled.
- Do not cut pins in any case.
- It has explosion proof structure, however it is recommended to be assembled in an approved body.

**NEMOTO & CO., LTD.**

**4-10-9 Takaido-higashi, Suginami-ku, Tokyo 168-0072, Japan**

**Tel. 81-3-3333-7341, Fax. 81-3-3333-7344**

Tech. Inf. No.NC-180S-N-080601