

LM3100

LM3100 SIMPLE SWITCHER® Synchronous 1MHz 1.5A Step-Down Voltage Regulator



Literature Number: SNVS421F

LM3100

SIMPLE SWITCHER® Synchronous 1MHz 1.5A Step-Down Voltage Regulator

General Description

The LM3100 Synchronously Rectified Buck Converter features all functions needed to implement a highly efficient, cost effective buck regulator capable of supplying 1.5A to loads with voltages as low as 0.8V. Dual 40V N-Channel synchronous MOSFET switches allow for low external component thus reducing complexity and minimizing board space. The LM3100 is designed to work exceptionally well with ceramic and other very low ESR output capacitors. The Constant ON-Time (COT) regulation scheme requires no loop compensation, results in fast load transient response, and simplifies circuit implementation. Through the use of a unique design the regulator does not rely on output capacitor ESR for stability, as do most other COT regulators. The operating frequency remains nearly constant with line and load variations due to the inverse relationship between the input voltage and the on-time. The operating frequency can be externally programmed up to 1MHz. Protection features include V_{CC} under-voltage lockout, thermal shutdown and gate drive under-voltage lockout. The part is available in a thermally enhanced eTSSOP-20 package

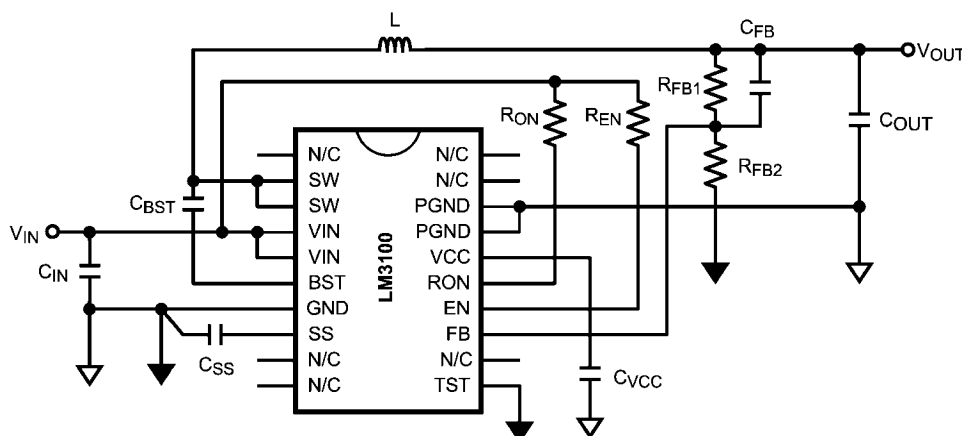
Features

- Input voltage range 4.5V - 36V
- 1.5A output current
- 0.8V, $\pm 1.5\%$ reference
- Integrated 40V, dual N-Channel buck synchronous switches
- Low component count and small solution size
- No loop compensation required
- Ultra-fast transient response
- Stable with ceramic and other low ESR capacitors
- Programmable switching frequency up to 1MHz
- Max. duty cycle limited during start-up
- Valley current limit
- Precision Internal Reference for adjustable output voltage down to 0.8V
- Thermal shutdown
- Thermally enhanced eTSSOP-20 package

Typical Applications

- 5VDC, 12VDC, 24VDC, 12VAC, and 24VAC systems
- Embedded Systems
- Industrial Controls
- Automotive Telematics and Body Electronics
- Point of Load Regulators
- Storage Systems
- Broadband Infrastructure
- Direct Conversion from 2/3/4 Cell Lithium Batteries Systems

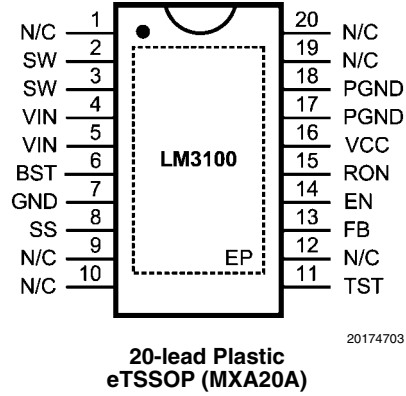
Typical Application



20174702

SIMPLE SWITCHER® is a registered trademark of National Semiconductor Corporation

Connection Diagram



Ordering Information

Order Number	Package Type	NSC Package Drawing	Supplied As
LM3100MH	Exposed Pad TSSOP-20	MXA0020	73 units per Anti-Static Tube
LM3100MHX			2500 Units on Tape and Reel

Pin Descriptions

Pin	Name	Description	Application Information
1,9,10,12,19,20	N/C	No Connection	These pins must be left unconnected.
2, 3	SW	Switching Node	Internally connected to the buck switch source. Connect to output inductor.
4, 5	VIN	Input supply voltage	Supply pin to the device. Nominal input range is 4.5V to 36V.
6	BST	Connection for bootstrap capacitor	Connect a 0.033 μ F capacitor from SW pin to this pin. An internal diode charges the capacitor during the high-side switch off-time.
7	GND	Analog Ground	Ground for all internal circuitry other than the synchronous switches.
8	SS	Soft-start	An internal 8 μ A current source charges an external capacitor to provide the soft- start function.
11	TST	Test mode enable pin	Force the device into test mode. Must be connected to ground for normal operation.
13	FB	Feedback	Internally connected to the regulation and over-voltage comparators. The regulation setting is 0.8V at this pin. Connect to feedback divider.
14	EN	Enable pin	Connect a voltage higher than 1.26V to enable the regulator.
15	RON	On-time Control	An external resistor from VIN to this pin sets the high-side switch on-time.
16	VCC	Start-up regulator Output	Nominally regulated to 6V. Connect a capacitor of not less than 680nF between VCC and GND for stable operation.
17, 18	PGND	Power Ground	Synchronous rectifier MOSFET source connection. Tie to power ground plane.
DAP	EP	Exposed Pad	Thermal connection pad, connect to GND.

Absolute Maximum Ratings (Note 1)

If Military/Aerospace specified devices are required, please contact the National Semiconductor Sales Office/Distributors for availability and specifications.

VIN, RON to GND	-0.3V to 40V
SW to GND	-0.3V to 40V
SW to GND (Transient)	-2V (< 100ns)
VIN to SW	-0.3V to 40V
BST to SW	-0.3V to 7V
All Other Inputs to GND	-0.3V to 7V

ESD Rating (Note 2)

Human Body Model	±2kV
Storage Temperature Range	-65°C to +150°C
Junction Temperature (T _J)	150°C

Operating Ratings (Note 1)

Supply Voltage Range (VIN)	4.5V to 36V
Junction Temperature Range (T _J)	-40°C to + 125°C
Thermal Resistance (θ _{JC}) (Note 3)	6.5°C/W

Electrical Characteristics Specifications with standard type are for T_J = 25°C only; limits in boldface type apply over the full Operating Junction Temperature (T_J) range. Minimum and Maximum limits are guaranteed through test, design, or statistical correlation. Typical values represent the most likely parametric norm at T_J = 25°C, and are provided for reference purposes only. Unless otherwise stated the following conditions apply: V_{IN} = 18V, V_{OUT} = 3.3V.

Symbol	Parameter	Conditions	Min	Typ	Max	Units
Start-Up Regulator, V_{CC}						
V _{CC}	V _{CC} output voltage	C _{CC} = 680nF, no load	5.0	6.0	7.2	V
V _{IN} - V _{CC}	V _{IN} - V _{CC} dropout voltage	I _{CC} = 2mA		50	140	mV
		I _{CC} = 20mA		350	570	
I _{VCC}	V _{CC} current limit (Note 4)	V _{CC} = 0V	40	65		mA
V _{CC-UVLO}	V _{CC} under-voltage lockout threshold (UVLO)	V _{IN} increasing	3.6	3.75	3.85	V
V _{CC-UVLO-HYS}	V _{CC} UVLO hysteresis	V _{IN} decreasing		130		mV
t _{VCC-UVLO-D}	V _{CC} UVLO filter delay			3		μs
I _{IN}	I _{IN} operating current	No switching, V _{FB} = 1V		0.7	1	mA
I _{IN-SD}	I _{IN} operating current, Device shutdown	V _{EN} = 0V		17	30	μA
Switching Characteristics						
R _{DS-UP-ON}	Main MOSFET R _{ds(on)}			0.18	0.35	Ω
R _{DS-DN-ON}	Syn. MOSFET R _{ds(on)}			0.11	0.2	Ω
V _{G-UVLO}	Gate drive voltage UVLO	V _{BST} - V _{SW} increasing		3.3	4	V
Soft-start						
I _{SS}	SS pin source current	V _{SS} = 0.5V	6	8	9.8	μA
Current Limit						
I _{CL}	Syn. MOSFET current limit threshold			1.9		A
ON/OFF Timer						
t _{ON}	ON timer pulse width	V _{IN} = 10V, R _{ON} = 100 kΩ		1.38		μs
		V _{IN} = 30V, R _{ON} = 100 kΩ		0.47		
t _{ON-MIN}	ON timer minimum pulse width			200		ns
t _{OFF}	OFF timer pulse width			260		ns
Enable Input						
V _{EN}	EN Pin input threshold	V _{EN} rising	1.236	1.26	1.285	V
V _{EN-HYS}	Enable threshold hysteresis	V _{EN} falling		90		mV
Regulation and Over-Voltage Comparator						
V _{FB}	In-regulation feedback voltage	V _{SS} ≥ 0.8V T _J = -40°C to + 125°C	0.784	0.8	0.816	V
		V _{SS} ≥ 0.8V T _J = 0°C to + 125°C	0.788		0.812	
V _{FB-OV}	Feedback over-voltage threshold		0.894	0.920	0.940	V
I _{FB}				5	100	nA

Symbol	Parameter	Conditions	Min	Typ	Max	Units
Thermal Shutdown						
T_{SD}	Thermal shutdown temperature	T_J rising		165		$^{\circ}C$
T_{SD-HYS}	Thermal shutdown temperature hysteresis	T_J falling		20		$^{\circ}C$

Note 1: Absolute Maximum Ratings are limits beyond which damage to the device may occur. Operating Ratings are conditions under which operation of the device is intended to be functional. For guaranteed specifications and test conditions, see the Electrical Characteristics.

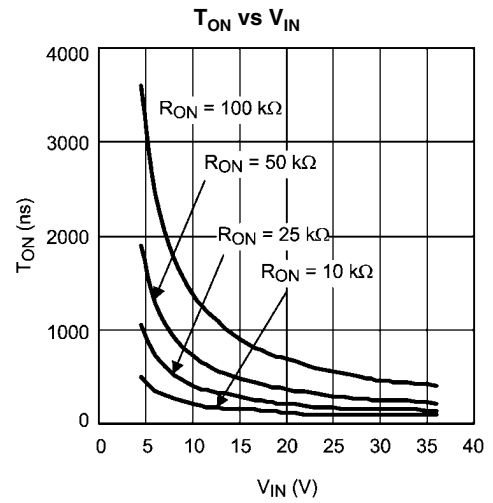
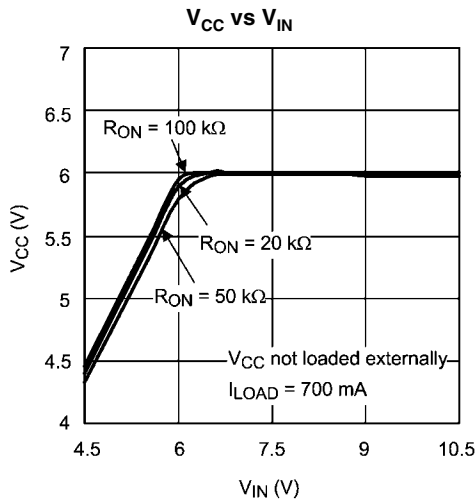
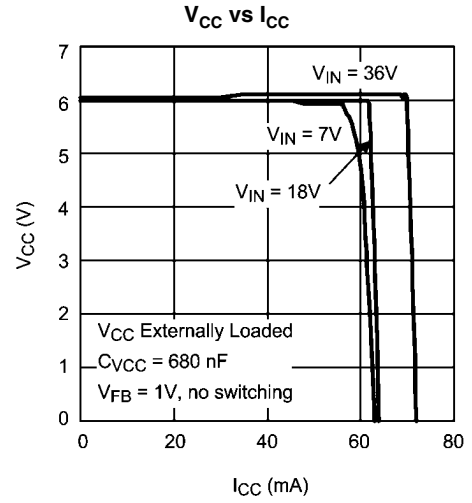
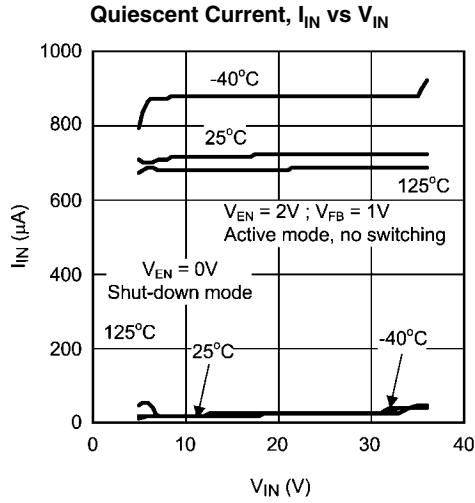
Note 2: The human body model is a 100pF capacitor discharged through a 1.5k Ω resistor into each pin.

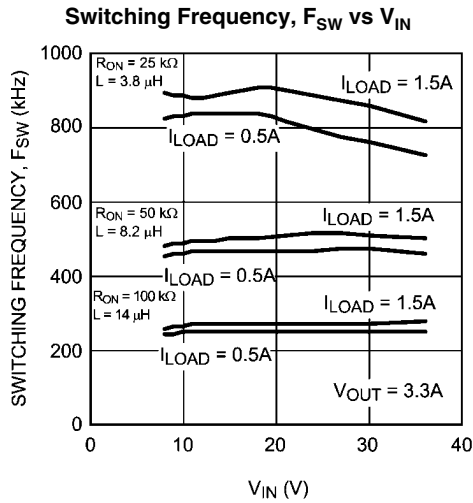
Note 3: θ_{JC} measurements are performed in general accordance with Mil-Std 883B, Method 1012.1 and utilizes the copper heat sink technique. Copper Heat Sink @ 60 $^{\circ}C$.

Note 4: V_{CC} provides self bias for the internal gate drive and control circuits. Device thermal limitations limit external loading.

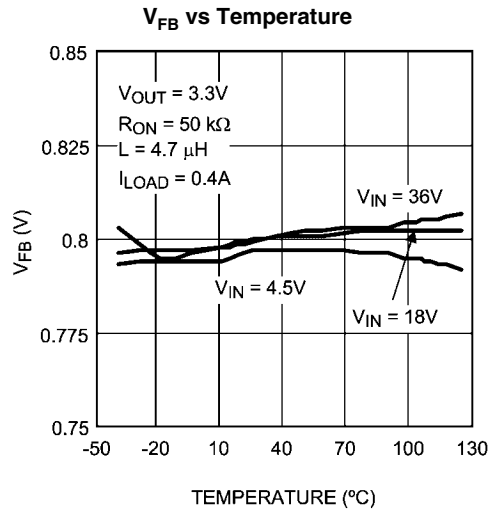
Typical Performance Characteristics

All curves taken at $V_{IN} = 18V$ with configuration in typical application circuit for $V_{OUT} = 3.3V$ shown in this datasheet. $T_A = 25^\circ C$, unless otherwise specified.

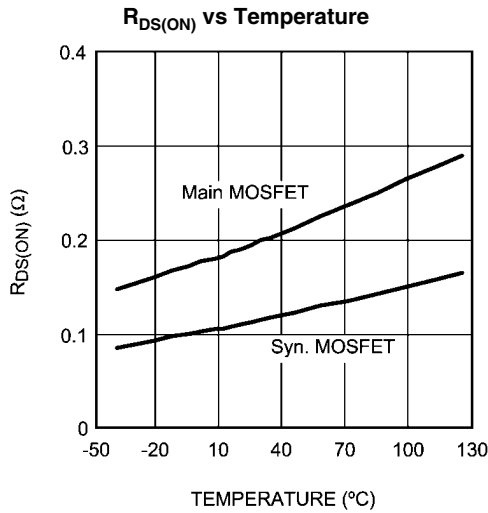




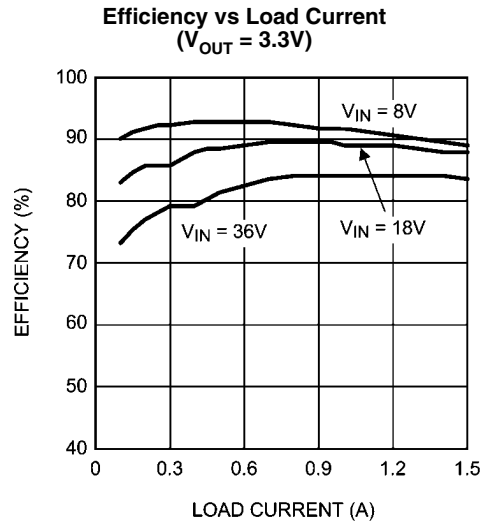
20174722



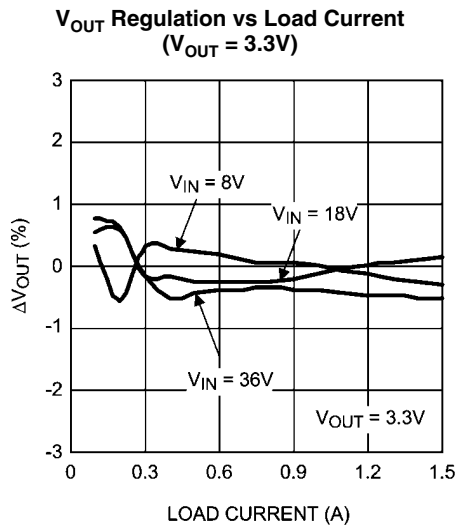
20174723



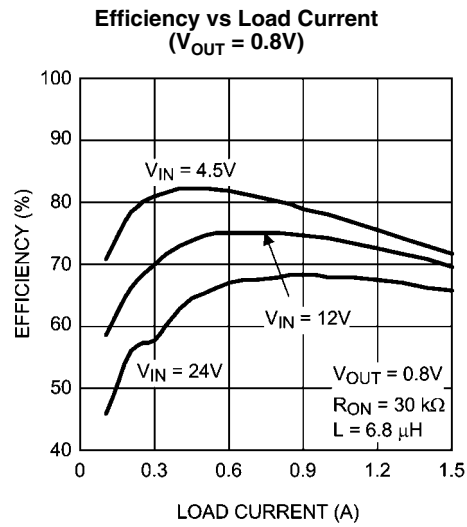
20174724



20174725

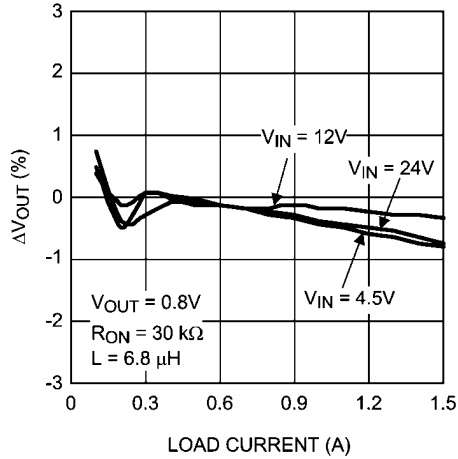


20174726



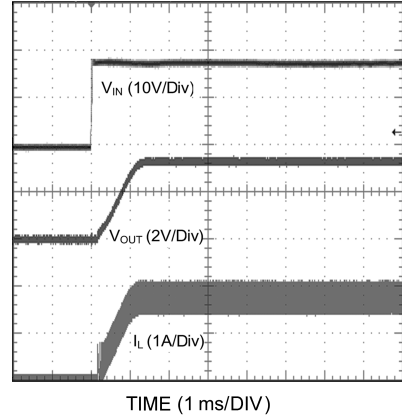
20174727

V_{OUT} Regulation vs Load Current
(V_{OUT} = 0.8V)



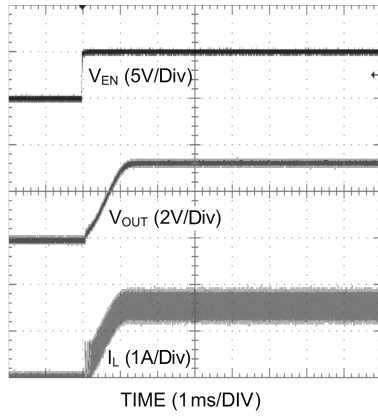
20174728

Power Up
(V_{OUT} = 3.3V, 1.5A Loaded)



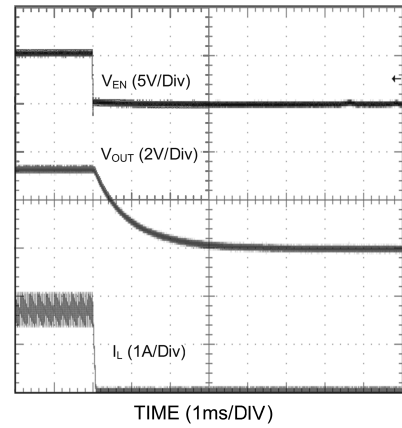
20174729

Enable Transient
(V_{OUT} = 3.3V, 1.5A Loaded)



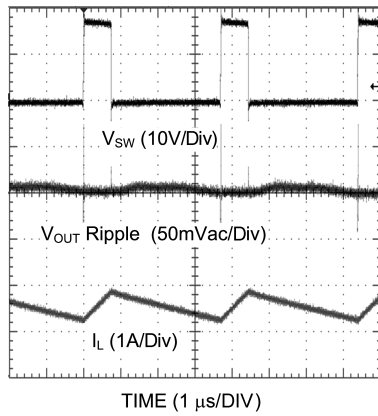
20174730

Shutdown Transient
(V_{OUT} = 3.3V, 1.5A Loaded)



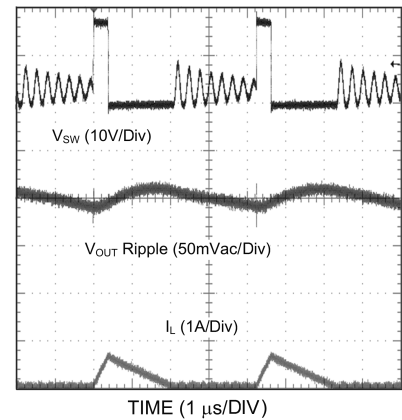
20174731

Continuous Mode Operation
(V_{OUT} = 3.3V, 1.5A Loaded)



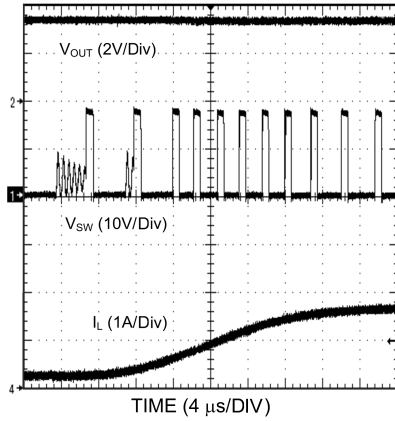
20174732

Discontinuous Mode Operation
(V_{OUT} = 3.3V, 0.15A Loaded)



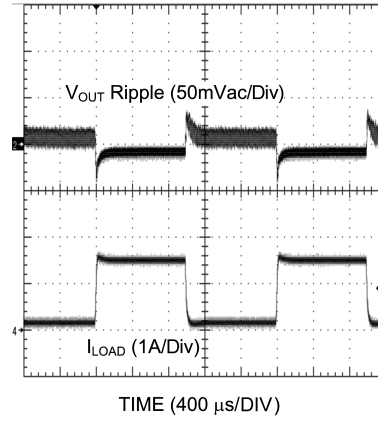
20174733

CCM to DCM Transition
 ($V_{OUT} = 3.3V$, 0.15A - 1.5A Load)



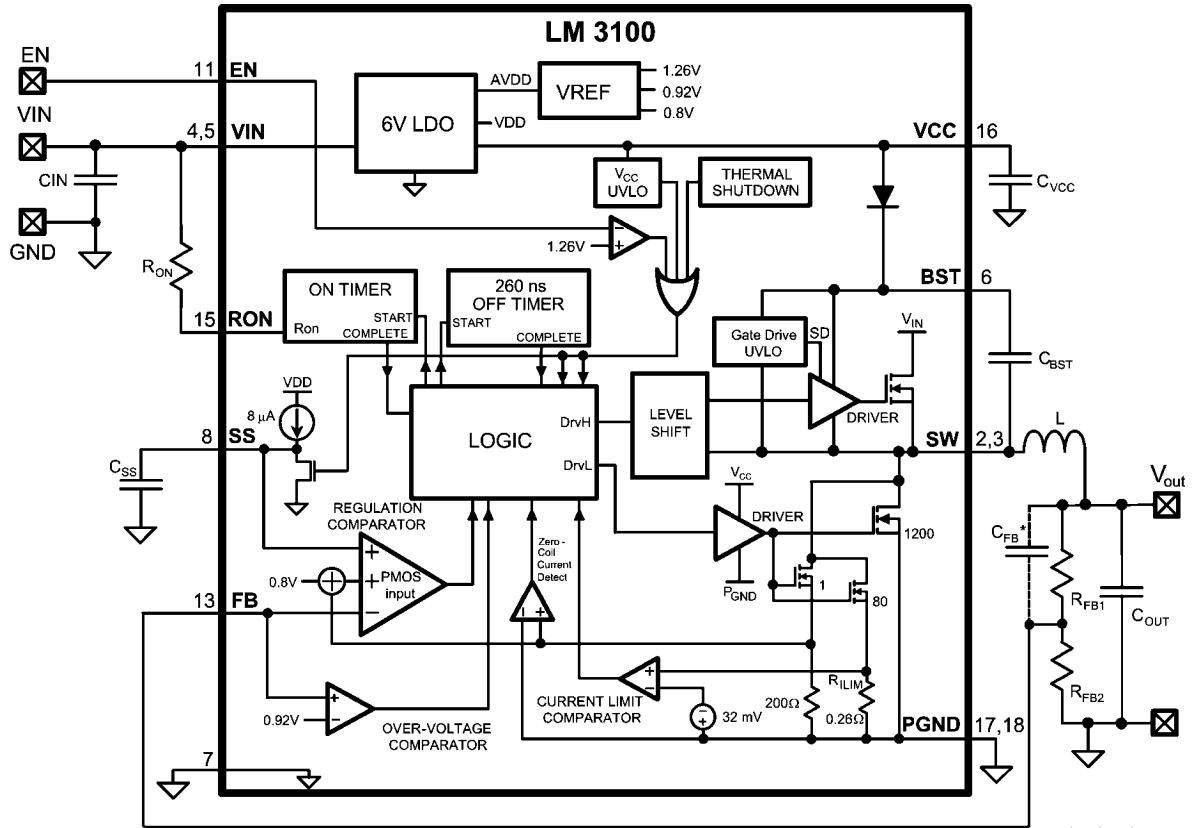
20174734

Load Transient
 ($V_{OUT} = 3.3V$, 0.15A - 1.5A Load, Current slew-rate: 2.5A/ μ s)



20174735

Simplified Functional Block Diagram



*optional
20174701

Functional Description

The LM3100 Step Down Switching Regulator features all functions needed to implement a cost effective, efficient buck power converter capable of supplying 1.5A to a load. This voltage regulator contains Dual 40V N-Channel buck synchronous switches and is available in a thermally enhanced eTSSOP-20 package. The Constant ON-Time (COT) regulation scheme requires no loop compensation, results in fast load transient response, and simplifies circuit implementation. It will work correctly even with an all ceramic output capacitor network and does not rely on the output capacitor's ESR for stability. The operating frequency remains constant with line and load variations due to the inverse relationship between the input voltage and the on-time. The valley current limit detection circuit, internally set at 1.9A, inhibits the high-side switch until the inductor current level subsides. Please refer to the functional block diagram with a typical application circuit.

The LM3100 can be applied in numerous applications and can operate efficiently from inputs as high as 36V. Protection features include: Thermal shutdown, V_{CC} under-voltage lock-out, gate drive under-voltage lockout.

Hysteretic Control Circuit Overview

The LM3100 buck DC-DC regulator employs a control scheme in which the high-side switch on-time varies inversely with the line voltage (V_{IN}). Control is based on a comparator and the one-shot on-timer, with the output voltage feedback (FB) compared with an internal reference of 0.8V. If the FB level is below the reference the buck switch is turned on for a fixed time determined by the input voltage and a programming resistor (R_{ON}). Following the on-time, the switch remains off for a minimum of 260ns. If FB is below the reference at that time the switch turns on again for another on-time period. The switching will continue until regulation is achieved.

The regulator will operate in discontinuous conduction mode at light load currents, and continuous conduction mode with heavy load current. In discontinuous conduction mode (DCM), current through the output inductor starts at zero and ramps up to a peak during the on-time, then ramps back to zero before the end of the off-time. The next on-time period starts when the voltage at FB falls below the internal reference. Until then the inductor current remains zero and the load is supplied entirely by the output capacitor. In this mode the operating frequency is lower than in continuous conduction mode, and varies with load current. Conversion efficiency is maintained since the switching losses are reduced with the reduction in load and switching frequency. The discontinuous operating frequency can be calculated approximately as follows:

$$F_{SW} = \frac{V_{OUT} (V_{IN} - 1) \times L \times 1.18 \times 10^{20} \times I_{OUT}}{(V_{IN} - V_{OUT}) \times R_{ON}^2} \quad (1)$$

In continuous conduction mode (CCM), current always flows through the inductor and never reaches zero during the off-time. In this mode, the operating frequency remains relatively constant with load and line variations. The CCM operating frequency can be calculated approximately as follows:

$$F_{SW} = \frac{V_{OUT}}{1.3 \times 10^{-10} \times R_{ON}} \quad (2)$$

The output voltage is set by two external resistors (R_{FB1} , R_{FB2}). The regulated output voltage is calculated as follows:

$$V_{OUT} = 0.8V \times (R_{FB1} + R_{FB2})/R_{FB2} \quad (3)$$

Start-up Regulator (V_{CC})

The start-up regulator is integrated within LM3100. The input pin (V_{IN}) can be connected directly to line voltage up to 36V, with transient capability of 40V. The V_{CC} output regulates at 6V, and is current limited to 65 mA. Upon power up, the regulator sources current into the external capacitor at V_{CC} (C_{VCC}). C_{VCC} must be at least 680nF for stability. When the voltage on the VCC pin reaches the under-voltage lockout threshold of 3.75V, the buck switch is enabled and the Soft-start pin is released to allow the soft-start capacitor (C_{SS}) to charge.

The minimum input voltage is determined by the dropout voltage of V_{CC} regulator, and the V_{CC} UVLO falling threshold ($\approx 3.7V$). If V_{IN} is less than $\approx 4.0V$, the V_{CC} UVLO activates to shut off the output.

Regulation Comparator

The feedback voltage at FB pin is compared to the internal reference voltage of 0.8V. In normal operation (the output voltage is regulated), an on-time period is initiated when the voltage at FB falls below 0.8V. The buck switch stays on for the on-time, causing the FB voltage to rise above 0.8V. After the on-time period, the buck switch stays off until the FB voltage falls below 0.8V again. Bias current at the FB pin is nominally 100 nA.

Over-Voltage Comparator

The voltage at FB pin is compared to an internal 0.92V reference. If the feedback voltage rises above 0.92V the on-time pulse is immediately terminated. This condition can occur if the input voltage, or the output load, changes suddenly. Once the OVP is activated, the buck switch remains off until the voltage at FB pin falls below 0.92V. The low side switch will stay on to discharge the inductor energy until the inductor current decays to zero. The low side switch will be turned off.

ON-Time Timer, Shutdown

The ON-Time of LM3100 main switch is determined by the R_{ON} resistor and the input voltage (V_{IN}), and is calculated from:

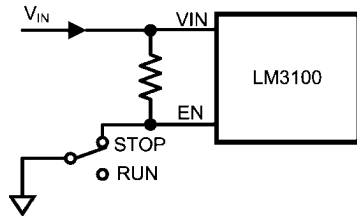
$$t_{ON} = \frac{1.3 \times 10^{-10} \times R_{ON}}{V_{IN}} \quad (4)$$

The inverse relationship of t_{ON} and V_{IN} results in a nearly constant switching frequency as V_{IN} is varied. R_{ON} should be selected for a minimum on-time (at maximum V_{IN}) greater than 200 ns for proper current limit operation. This requirement limits the maximum frequency for each application, depending on V_{IN} and V_{OUT} , calculated from equation 5:

$$F_{SW(MAX)} = \frac{V_{OUT}}{V_{IN(MAX)} \times 200 \text{ ns}} \quad (5)$$

The LM3100 can be remotely shut down by taking the EN pin below 1.1V. Refer to [Figure 1](#). In this mode the SS pin is internally grounded, the on-timer is disabled, and bias currents are reduced. Releasing the EN pin allows normal operation to resume. For normal operation, the voltage at the EN pin is set between 1.5V and 3.0V, depending on V_{IN} and the exter-

nal pull-up resistor. For all cases, this voltage must be limited not to exceed 7V.



20174704

FIGURE 1. Shutdown Implementation

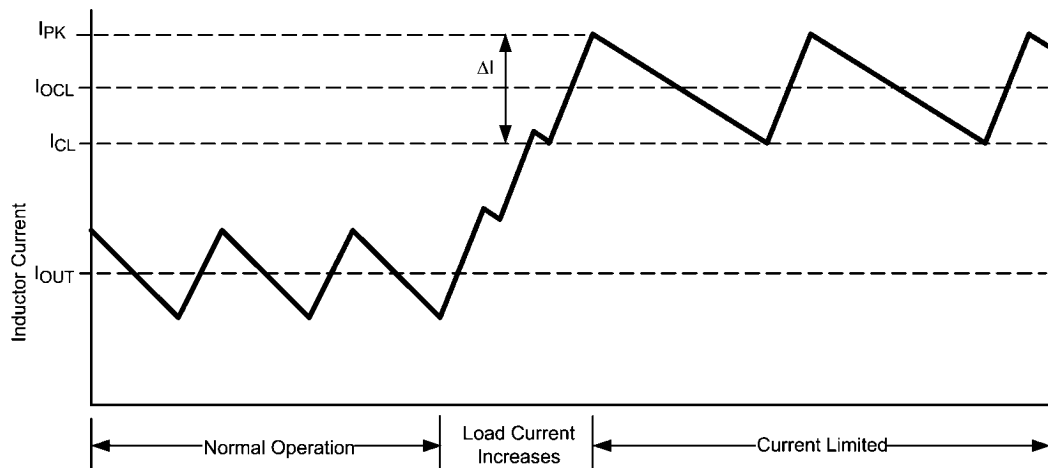
Current Limit

Current limit detection occurs during the off-time by monitoring the re-circulating current through the low-side synchronous switch. Referring to Functional Block Diagram, when the buck switch is turned off, inductor current flows through the load, into PGND, and through the internal low-side synchronous switch. If that current exceeds 1.9A the current limit comparator toggles, forcing a delay to the start of the next on-time period. The next cycle starts when the re-circulating current falls back below 1.9A and the voltage at FB is below 0.8V. The inductor current is monitored during the low-side switch on-time. As long as the overload condition persists and the inductor current exceeds 1.9A, the high-side switch will remain inhibited. The operating frequency is lower during an over-current due to longer than normal off-times.

Figure 2 illustrates an inductor current waveform, the average inductor current is equal to the output current, I_{OUT} in steady state. When an overload occurs, the inductor current will increase until it exceeds the current limit threshold, 1.9A. Then the control keeps the high-side switch off until the inductor current ramps down below 1.9A. Within each on-time period, the current ramps up an amount equal to:

$$\Delta I = \frac{(V_{IN} - V_{OUT}) \times t_{ON}}{L} \quad (6)$$

During this time the LM3100 is in a constant current mode, with an average load current (I_{OCL}) equal to $1.9A + \Delta I/2$.



20174705

FIGURE 2. Inductor Current - Current Limit Operation

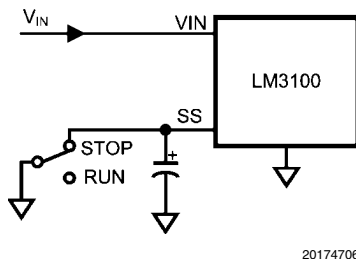
N-Channel Buck Switch and Driver

The LM3100 integrates an N-Channel buck (high-side) switch and associated floating high voltage gate driver. The gate drive circuit works in conjunction with an external bootstrap capacitor and an internal high voltage diode. A 33 nF capacitor (C_{BST}) connected between BST and SW pins provides voltage to the high-side driver during the buck switch on-time. During each off-time, the SW pin falls to approximately -1V and C_{BST} charges from the V_{CC} supply through the internal diode. The minimum off-time of 260ns ensures adequate time each cycle to recharge the bootstrap capacitor.

Soft-Start

The soft-start feature allows the converter to gradually reach a steady state operating point, thereby reducing start-up stresses and current surges. Upon turn-on, after V_{CC} reaches the under-voltage threshold, an internal 8 μ A current source charges up the external capacitor at the SS pin. The ramping voltage at SS (and the non-inverting input of the regulation comparator) ramps up the output voltage in a controlled manner.

An internal switch grounds the SS pin if any of the following cases happen: (i) V_{CC} falls below the under-voltage lock-out threshold; (ii) a thermal shutdown occurs; or (iii) the EN pin is grounded. Alternatively, the converter can be disabled by connecting the SS pin to ground using an external switch. Releasing the switch allows the SS pin return to pull high and the output voltage returns to normal. The shut-down configuration is shown in [Figure 3](#).



20174706

FIGURE 3. Alternate Shutdown Implementation

Thermal Protection

The LM3100 should be operated so the junction temperature does not exceed the maximum limit. An internal Thermal Shutdown circuit, which activates (typically) at 165°C, takes the controller to a low power reset state by disabling the buck switch and the on-timer, and grounding the SS pin. This feature helps prevent catastrophic failures from accidental device overheating. When the junction temperature falls below 145°C (typical hysteresis = 20°C), the SS pin is released and normal operation resumes.

Applications Information

EXTERNAL COMPONENTS

The following guidelines can be used to select the external components.

R_{FB1} and R_{FB2} : The ratio of these resistors is calculated from:

$$\frac{R_{FB1}}{R_{FB2}} = \frac{V_{OUT}}{0.8V} - 1$$

R_{FB1} and R_{FB2} should be chosen from standard value resistors in the range of 1.0 k Ω - 10 k Ω which satisfy the above ratio.

For $V_{OUT} = 0.8V$, the FB pin can be connected to the output directly. However, the converter operation needs a minimum inductor current ripple to maintain good regulation when no load is connected. This minimum load is about 10 μ A and can be implemented by adding a pre-load resistor to the output.

R_{ON} : The minimum value for R_{ON} is calculated from:

$$R_{ON} \geq \frac{200 \text{ ns} \times V_{IN(MAX)}}{1.3 \times 10^{-10}}$$

The equation 2 in Control Overview section can be used to select R_{ON} if a specific frequency is desired as long as the above limitation is met.

L: The main parameter affected by the inductor is the output current ripple amplitude (I_{OR}). The maximum allowable (I_{OR}) must be determined at both the minimum and maximum nominal load currents. At minimum load current, the lower peak must not reach 0A. At maximum load current, the upper peak must not exceed the current limit threshold (1.9A). The allowable ripple current is calculated from the following equations:

$$I_{OR(MAX1)} = 2 \times I_{O(min)}$$

or

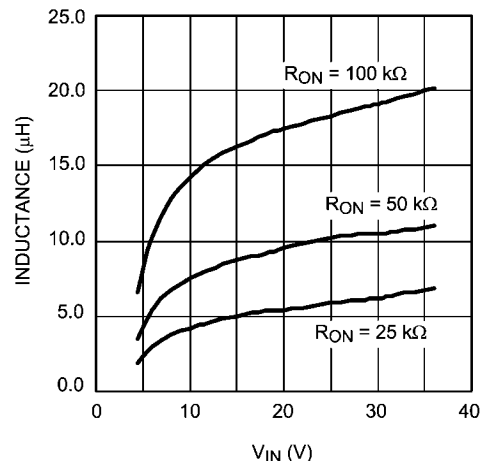
$$I_{OR(MAX2)} = 2 \times (1.9A - I_{O(max)})$$

The lesser of the two ripple amplitudes calculated above is then used in the following equation:

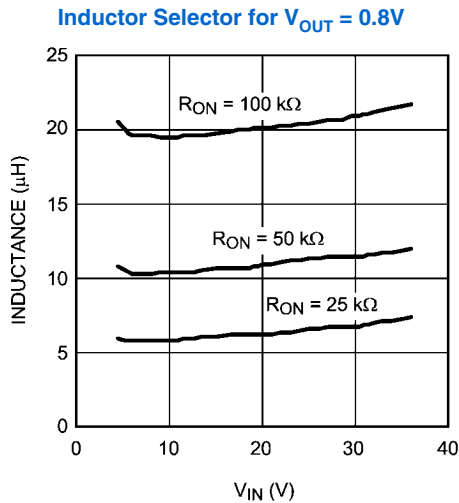
$$L = \frac{V_{OUT} \times (V_{IN} - V_{OUT})}{I_{OR} \times F_S \times V_{IN}} \quad (7)$$

where V_{IN} is the maximum input voltage and F_S is determined from equation 1. This provides a value for L. The next larger standard value should be used. L should be rated for the I_{PK} current level shown in [Figure 2](#).

Inductor Selector for $V_{OUT} = 3.3V$



20174736



20174737

C_{VCC} : The capacitor on the V_{CC} output provides not only noise filtering and stability, but also prevents false triggering of the V_{CC} UVLO at the buck switch on/off transitions. For this reason, C_{VCC} should be no smaller than 680 nF for stability, and should be a good quality, low ESR, ceramic capacitor.

C_O and C_{O3} : C_O should generally be no smaller than 10 μF . Experimentation is usually necessary to determine the minimum value for C_O , as the nature of the load may require a larger value. A load which creates significant transients requires a larger value for C_O than a fixed load.

C_{O3} is a small value ceramic capacitor to further suppress high frequency noise at V_{OUT} . A 47nF is recommended, located close to the LM3100.

C_{IN} and C_{IN3} : C_{IN} 's purpose is to supply most of the switch current during the on-time, and limit the voltage ripple at V_{IN} , assume the voltage source feeding V_{IN} has an output impedance greater than zero. If the source's dynamic impedance is high (effectively a current source), C_{IN} supplies the average input current, but not the ripple current.

At maximum load current, when the buck switch turns on, the current into V_{IN} suddenly increases to the lower peak of the inductor's ripple current, ramps up to the peak value, then drop to zero at turn-off. The average current during the on-time is the load current. For a worst case calculation, C_{IN} must supply this average load current during the maximum on-time. C_{IN} is calculated from:

$$C_{IN} = \frac{I_{OUT} \times t_{ON}}{\Delta V} \quad (8)$$

where I_{OUT} is the load current, t_{ON} is the maximum on-time, and ΔV is the allowable ripple voltage at V_{IN} .

C_{IN3} 's purpose is to help avoid transients and ringing due to long lead inductance at V_{IN} . A low ESR, 0.1 μF ceramic chip capacitor is recommended, located close to the LM3100.

C_{BST} : The recommended value for C_{BST} is 33 nF. A high quality ceramic capacitor with low ESR is recommended as

C_{BST} supplies a surge current to charge the buck switch gate at turn-on. A low ESR also helps ensure a complete recharge during each off-time.

C_{SS} : The capacitor at the SS pin determines the soft-start time, i.e. the time for the reference voltage at the regulation comparator, and the output voltage, to reach their final value. The time is determined from the following:

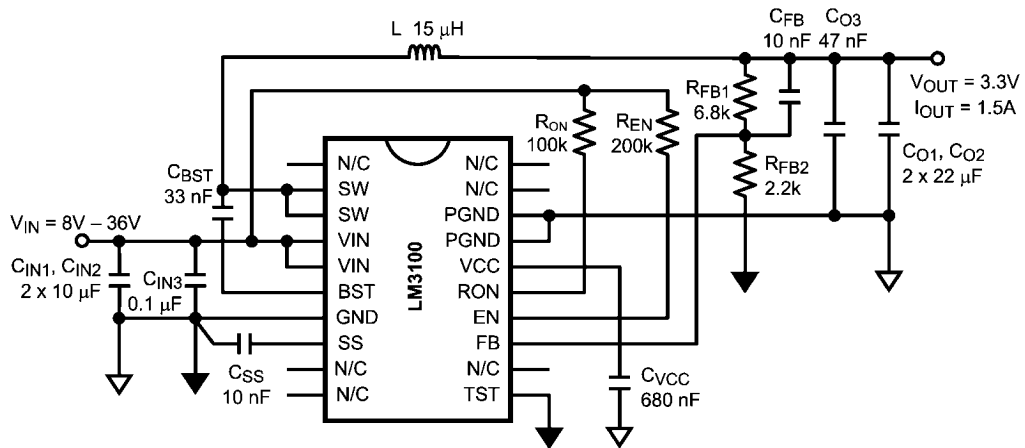
$$t_{SS} = \frac{C_{SS} \times 0.8V}{8 \mu A}$$

C_{FB} : If output voltage is higher than 1.6V, this feedback capacitor is needed for Discontinuous Conduction Mode to improve the output ripple performance, the recommended value for C_{FB} is 10 nF.

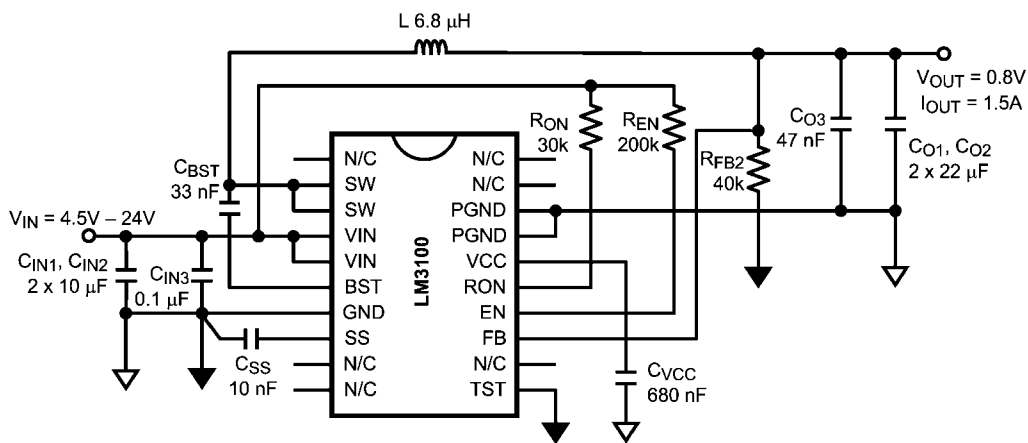
PC BOARD LAYOUT

The LM3100 regulation, over-voltage, and current limit comparators are very fast, and will respond to short duration noise pulses. Layout considerations are therefore critical for optimum performance. The layout must be as neat and compact as possible, and all external components must be as close as possible to their associated pins. Refer to the functional block diagram, the loop formed by C_{IN} , the high and low-side switches internal to the IC, and the PGND pin should be as small as possible. The PGND connection to C_{in} should be as short and direct as possible. There should be several vias connecting the C_{in} ground terminal to the ground plane placed as close to the capacitor as possible. The boost capacitor should be connected as close to the SW and BST pins as possible. The feedback divider resistors and the C_{FB} capacitor should be located close to the FB pin. A long trace run from the top of the divider to the output is generally acceptable since this is a low impedance node. Ground the bottom of the divider directly to the GND (pin 7). The output capacitor, C_{OUT} , should be connected close to the load and tied directly into the ground plane. The inductor should connect close to the SW pin with as short a trace as possible to help reduce the potential for EMI (electro-magnetic interference) generation.

If it is expected that the internal dissipation of the LM3100 will produce excessive junction temperatures during normal operation, good use of the PC board's ground plane can help considerably to dissipate heat. The exposed pad on the bottom of the IC package can be soldered to a ground plane and that plane should extend out from beneath the IC to help dissipate the heat. The exposed pad is internally connected to the IC substrate. Additionally the use of thick copper traces, where possible, can help conduct heat away from the IC. Using numerous vias to connect the die attach pad to an internal ground plane is a good practice. Judicious positioning of the PC board within the end product, along with the use of any available air flow (forced or natural convection) can help reduce the junction temperature.

Typical Application Schematic for $V_{OUT} = 3.3V$

20174716

Typical Application Schematic for $V_{OUT} = 0.8V$

20174717

Notes

Notes

For more National Semiconductor product information and proven design tools, visit the following Web sites at:
www.national.com

Products		Design Support	
Amplifiers	www.national.com/amplifiers	WEBENCH® Tools	www.national.com/webench
Audio	www.national.com/audio	App Notes	www.national.com/appnotes
Clock and Timing	www.national.com/timing	Reference Designs	www.national.com/refdesigns
Data Converters	www.national.com/adc	Samples	www.national.com/samples
Interface	www.national.com/interface	Eval Boards	www.national.com/evalboards
LVDS	www.national.com/lvds	Packaging	www.national.com/packaging
Power Management	www.national.com/power	Green Compliance	www.national.com/quality/green
Switching Regulators	www.national.com/switchers	Distributors	www.national.com/contacts
LDOs	www.national.com/ldo	Quality and Reliability	www.national.com/quality
LED Lighting	www.national.com/led	Feedback/Support	www.national.com/feedback
Voltage References	www.national.com/vref	Design Made Easy	www.national.com/easy
PowerWise® Solutions	www.national.com/powerwise	Applications & Markets	www.national.com/solutions
Serial Digital Interface (SDI)	www.national.com/sdi	Mil/Aero	www.national.com/milaero
Temperature Sensors	www.national.com/tempensors	SolarMagic™	www.national.com/solarmagic
PLL/VCO	www.national.com/wireless	PowerWise® Design University	www.national.com/training

THE CONTENTS OF THIS DOCUMENT ARE PROVIDED IN CONNECTION WITH NATIONAL SEMICONDUCTOR CORPORATION ("NATIONAL") PRODUCTS. NATIONAL MAKES NO REPRESENTATIONS OR WARRANTIES WITH RESPECT TO THE ACCURACY OR COMPLETENESS OF THE CONTENTS OF THIS PUBLICATION AND RESERVES THE RIGHT TO MAKE CHANGES TO SPECIFICATIONS AND PRODUCT DESCRIPTIONS AT ANY TIME WITHOUT NOTICE. NO LICENSE, WHETHER EXPRESS, IMPLIED, ARISING BY ESTOPPEL OR OTHERWISE, TO ANY INTELLECTUAL PROPERTY RIGHTS IS GRANTED BY THIS DOCUMENT.

TESTING AND OTHER QUALITY CONTROLS ARE USED TO THE EXTENT NATIONAL DEEMS NECESSARY TO SUPPORT NATIONAL'S PRODUCT WARRANTY. EXCEPT WHERE MANDATED BY GOVERNMENT REQUIREMENTS, TESTING OF ALL PARAMETERS OF EACH PRODUCT IS NOT NECESSARILY PERFORMED. NATIONAL ASSUMES NO LIABILITY FOR APPLICATIONS ASSISTANCE OR BUYER PRODUCT DESIGN. BUYERS ARE RESPONSIBLE FOR THEIR PRODUCTS AND APPLICATIONS USING NATIONAL COMPONENTS. PRIOR TO USING OR DISTRIBUTING ANY PRODUCTS THAT INCLUDE NATIONAL COMPONENTS, BUYERS SHOULD PROVIDE ADEQUATE DESIGN, TESTING AND OPERATING SAFEGUARDS.

EXCEPT AS PROVIDED IN NATIONAL'S TERMS AND CONDITIONS OF SALE FOR SUCH PRODUCTS, NATIONAL ASSUMES NO LIABILITY WHATSOEVER, AND NATIONAL DISCLAIMS ANY EXPRESS OR IMPLIED WARRANTY RELATING TO THE SALE AND/OR USE OF NATIONAL PRODUCTS INCLUDING LIABILITY OR WARRANTIES RELATING TO FITNESS FOR A PARTICULAR PURPOSE, MERCHANTABILITY, OR INFRINGEMENT OF ANY PATENT, COPYRIGHT OR OTHER INTELLECTUAL PROPERTY RIGHT.

LIFE SUPPORT POLICY

NATIONAL'S PRODUCTS ARE NOT AUTHORIZED FOR USE AS CRITICAL COMPONENTS IN LIFE SUPPORT DEVICES OR SYSTEMS WITHOUT THE EXPRESS PRIOR WRITTEN APPROVAL OF THE CHIEF EXECUTIVE OFFICER AND GENERAL COUNSEL OF NATIONAL SEMICONDUCTOR CORPORATION. As used herein:

Life support devices or systems are devices which (a) are intended for surgical implant into the body, or (b) support or sustain life and whose failure to perform when properly used in accordance with instructions for use provided in the labeling can be reasonably expected to result in a significant injury to the user. A critical component is any component in a life support device or system whose failure to perform can be reasonably expected to cause the failure of the life support device or system or to affect its safety or effectiveness.

National Semiconductor and the National Semiconductor logo are registered trademarks of National Semiconductor Corporation. All other brand or product names may be trademarks or registered trademarks of their respective holders.

Copyright© 2009 National Semiconductor Corporation

For the most current product information visit us at www.national.com



**National Semiconductor
Americas Technical
Support Center**
Email: support@nsc.com
Tel: 1-800-272-9959

**National Semiconductor Europe
Technical Support Center**
Email: europe.support@nsc.com

**National Semiconductor Asia
Pacific Technical Support Center**
Email: ap.support@nsc.com

**National Semiconductor Japan
Technical Support Center**
Email: jpn.feedback@nsc.com

IMPORTANT NOTICE

Texas Instruments Incorporated and its subsidiaries (TI) reserve the right to make corrections, modifications, enhancements, improvements, and other changes to its products and services at any time and to discontinue any product or service without notice. Customers should obtain the latest relevant information before placing orders and should verify that such information is current and complete. All products are sold subject to TI's terms and conditions of sale supplied at the time of order acknowledgment.

TI warrants performance of its hardware products to the specifications applicable at the time of sale in accordance with TI's standard warranty. Testing and other quality control techniques are used to the extent TI deems necessary to support this warranty. Except where mandated by government requirements, testing of all parameters of each product is not necessarily performed.

TI assumes no liability for applications assistance or customer product design. Customers are responsible for their products and applications using TI components. To minimize the risks associated with customer products and applications, customers should provide adequate design and operating safeguards.

TI does not warrant or represent that any license, either express or implied, is granted under any TI patent right, copyright, mask work right, or other TI intellectual property right relating to any combination, machine, or process in which TI products or services are used. Information published by TI regarding third-party products or services does not constitute a license from TI to use such products or services or a warranty or endorsement thereof. Use of such information may require a license from a third party under the patents or other intellectual property of the third party, or a license from TI under the patents or other intellectual property of TI.

Reproduction of TI information in TI data books or data sheets is permissible only if reproduction is without alteration and is accompanied by all associated warranties, conditions, limitations, and notices. Reproduction of this information with alteration is an unfair and deceptive business practice. TI is not responsible or liable for such altered documentation. Information of third parties may be subject to additional restrictions.

Resale of TI products or services with statements different from or beyond the parameters stated by TI for that product or service voids all express and any implied warranties for the associated TI product or service and is an unfair and deceptive business practice. TI is not responsible or liable for any such statements.

TI products are not authorized for use in safety-critical applications (such as life support) where a failure of the TI product would reasonably be expected to cause severe personal injury or death, unless officers of the parties have executed an agreement specifically governing such use. Buyers represent that they have all necessary expertise in the safety and regulatory ramifications of their applications, and acknowledge and agree that they are solely responsible for all legal, regulatory and safety-related requirements concerning their products and any use of TI products in such safety-critical applications, notwithstanding any applications-related information or support that may be provided by TI. Further, Buyers must fully indemnify TI and its representatives against any damages arising out of the use of TI products in such safety-critical applications.

TI products are neither designed nor intended for use in military/aerospace applications or environments unless the TI products are specifically designated by TI as military-grade or "enhanced plastic." Only products designated by TI as military-grade meet military specifications. Buyers acknowledge and agree that any such use of TI products which TI has not designated as military-grade is solely at the Buyer's risk, and that they are solely responsible for compliance with all legal and regulatory requirements in connection with such use.

TI products are neither designed nor intended for use in automotive applications or environments unless the specific TI products are designated by TI as compliant with ISO/TS 16949 requirements. Buyers acknowledge and agree that, if they use any non-designated products in automotive applications, TI will not be responsible for any failure to meet such requirements.

Following are URLs where you can obtain information on other Texas Instruments products and application solutions:

Products

Audio	www.ti.com/audio
Amplifiers	amplifier.ti.com
Data Converters	dataconverter.ti.com
DLP® Products	www.dlp.com
DSP	dsp.ti.com
Clocks and Timers	www.ti.com/clocks
Interface	interface.ti.com
Logic	logic.ti.com
Power Mgmt	power.ti.com
Microcontrollers	microcontroller.ti.com
RFID	www.ti-rfid.com
OMAP Mobile Processors	www.ti.com/omap
Wireless Connectivity	www.ti.com/wirelessconnectivity

Applications

Communications and Telecom	www.ti.com/communications
Computers and Peripherals	www.ti.com/computers
Consumer Electronics	www.ti.com/consumer-apps
Energy and Lighting	www.ti.com/energy
Industrial	www.ti.com/industrial
Medical	www.ti.com/medical
Security	www.ti.com/security
Space, Avionics and Defense	www.ti.com/space-avionics-defense
Transportation and Automotive	www.ti.com/automotive
Video and Imaging	www.ti.com/video

TI E2E Community Home Page

e2e.ti.com

Mailing Address: Texas Instruments, Post Office Box 655303, Dallas, Texas 75265
Copyright © 2011, Texas Instruments Incorporated