

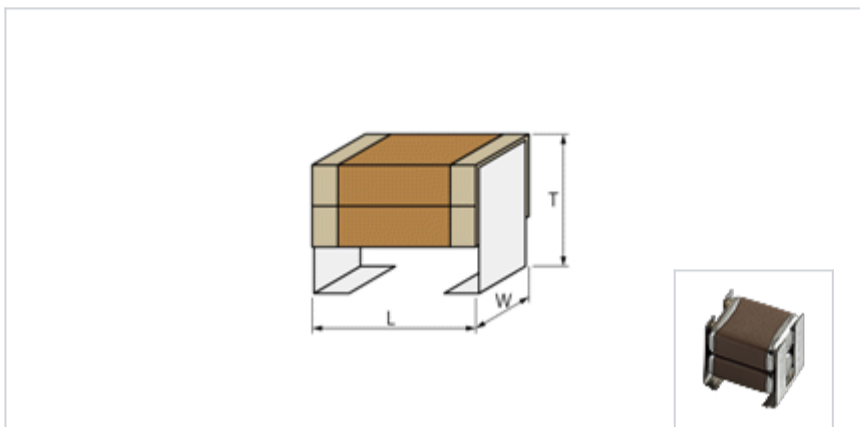
# KCM55WR7YA336MH01K

" # " indicates a package specification code.

- Recommended
- Reflow OK
- Complies with RoHS
- AEC-Q200
- Anti-noise
- Deflecting crack
- Soldering crack

< List of part numbers with package codes >  
KCM55WR7YA336MH01K

## Shape



L size	6.1 ± 0.4mm
W size	5.3 ± 0.2mm
T size	6.4 ± 0.3mm
Size code in mm(inch)	5750 (2220)

## References

Packaging	Specifications	Minimum quantity
	Embossed tape ( 330mm)	500

Mass (typ.)	
1 piece	900mg

## Specifications

Capacitance	33μF ± 20%
Rated voltage	35Vdc
Temperature characteristics (complied standard)	X7R(EIA)
Capacitance change rate	± 15%
Temperature range of temperature characteristics	-55 to 125
Operating temperature range	-55 to 125

### ⚠ Attention

- This datasheet is downloaded from the website of Murata Manufacturing Co., Ltd. Therefore, it ' s specifications are subject to change or our products in it may be discontinued without advance notice. Please check with our sales representatives or product engineers before ordering.
- This datasheet has only typical specifications because there is no space for detailed specifications. Therefore, please review our product specifications or consult the approval sheet for product specifications before ordering.