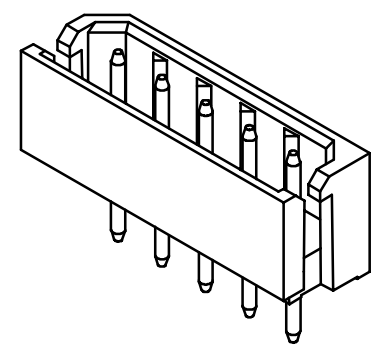
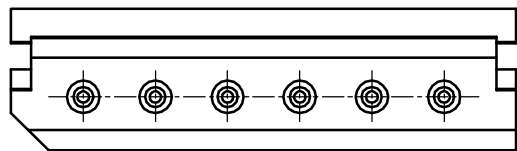
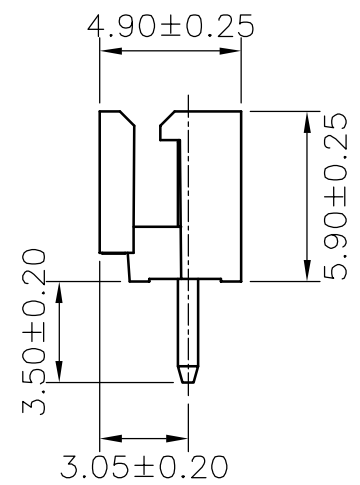
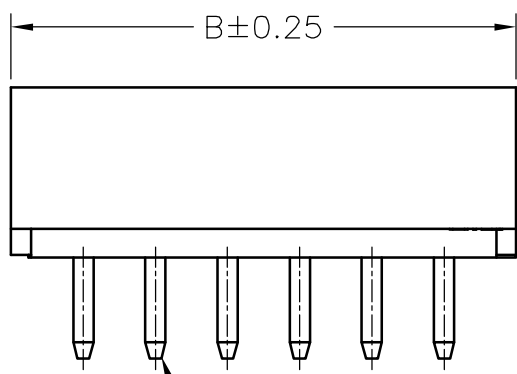


P.C.B LAYOUT



**SPECIFICATIONS**  
 Current Rating: 3A AC,DC  
 Voltage Rating: 250V AC,DC  
 Temperature Range: -25°C ~ +85°C  
 Contact Resistance: 20mΩ Max  
 Insulation Resistance: 1000MΩ Min  
 Withstanding Voltage: 1000V AC/minute  
 Pin Material: Brass/Tin-plated  
 Material: Nylon 66,UL94V-0  
 Pantone Color: 7506C



Ordering Information & Dimensions

PART NO.	Dimensions	
	A	B
MW-D-02	2.50	7.50
MW-D-03	5.00	10.00
MW-D-04	7.50	12.50
MW-D-05	10.00	15.00
MW-D-06	12.50	17.50
MW-D-07	15.00	20.00
MW-D-08	17.50	22.50
MW-D-09	20.00	25.00
MW-D-10	22.50	27.50
MW-D-11	25.00	30.00
MW-D-12	27.50	32.50
MW-D-13	30.00	35.00
MW-D-14	32.50	37.50
MW-D-15	35.00	40.00
MW-D-16	37.50	42.50

RoHS Compliant

TOLERANCES ARE



DRAWING BY CY

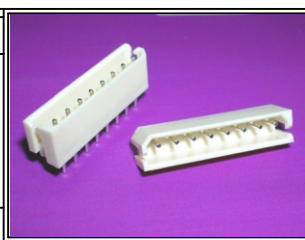
CHECKED BY GENIUS

UNIT / mm SCALE 1:1

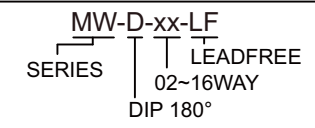
DATE

SIZE A4 PROJECTION

X.±  
 .X±  
 .XX±  
 .XXX±  
 ANG±



ORDER INFORMATION



煜倫股份有限公司

www.morethanall.com

DESCRIPTION: 2.50mm PITCH 180 WAFER