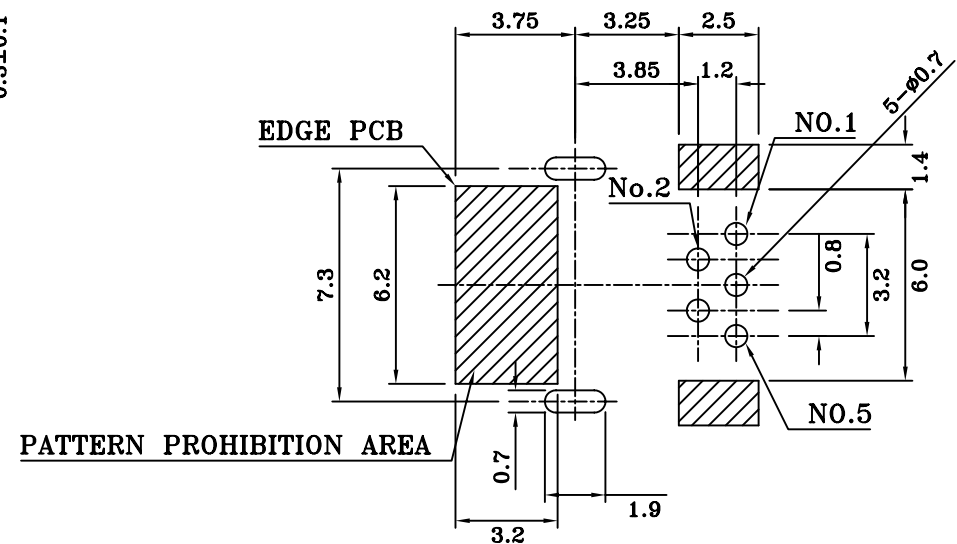


NO.	NAME	MATERIAL	FINISH	REMARK	Q'TY
1	HOUSING	NYLON PA9T G.F	BLACK		1
2	PIN TERM.	PHOS. BRONZE t:0.25mm	GOLD/TIN PLATED	Gold:30 μ" ; Ni:40~60 μ" ; TIN:120 μ" (100% pure Tin of lead free plating)	5
3	SHELL	BRASS t:=0.4	NICKEL PLATED	NI:2~3u	1



RECOMMENDED PCB PATTERN LAYOUT
(PCB THICKNESS:0.8±0.1)

RoHS Compliant

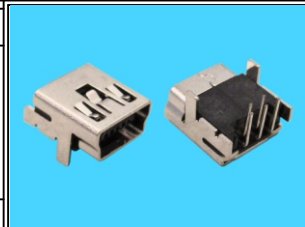
TOLERANCES ARE



煜倫股份有限公司

www.morethanall.com

DRAWING BY CY		X, ± .X ± .XX ± .XXX ± ANG ±
CHECKED BY GENIUS		
UNIT / mm	SCALE 1 : 1	
DATE		
SIZE A4	PJECTION	



ORDER INFORMATION

MSB-SR-5B-LF
SERIES | LEADFREE
5 PIN B TYPE
DIP 90°
FEMALE

DESCRIPTION: USB MINI B CONNECTOR CONTACT-DIP, SHIELD-DIP