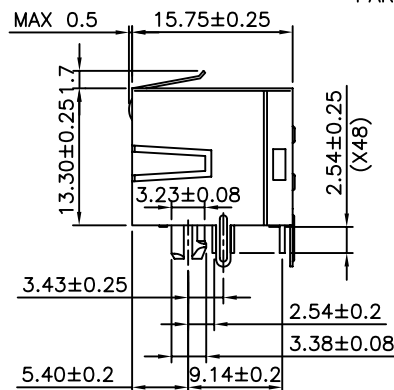
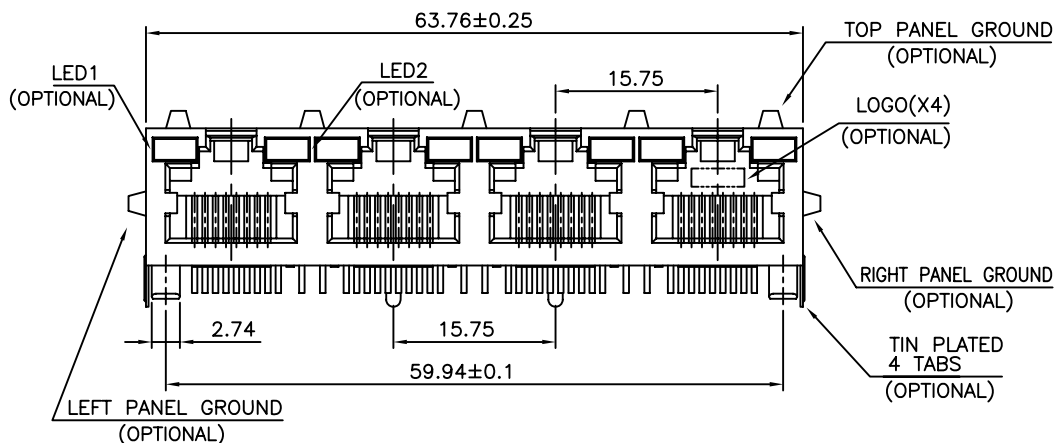


MATERIAL:

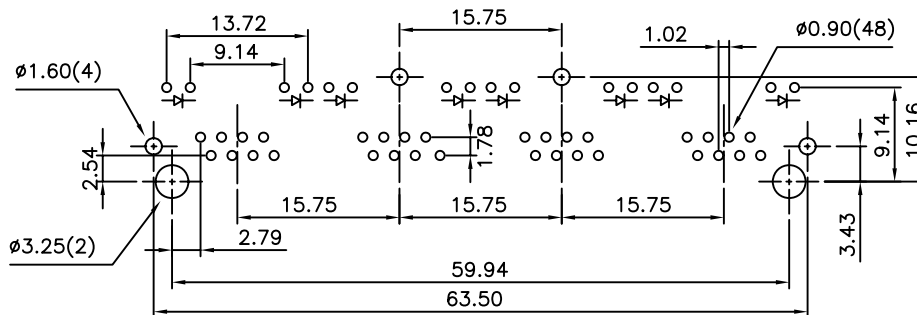
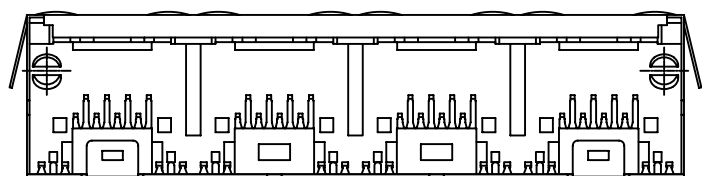
- HOUSING—DSM STANYL TE250F6 (NYLON-46)
HEAT DEFLECTION TEMP.290°
BLACK COLOR, UL94V-0
- CONTACTS—0.35mm THICK PHOS-BRONZE PLATED
WITH HARD GOLD AND TIN/LEAD IN
SOLDER AREA.
- SHIELD—0.25mm THICK COPPER ALLOY,
PLATED WITH NICKEL.

ELECTRICAL :

INSULATION RESISTANCE : 500 MEGOHMS MINIMUM
CURRENT RATING : 1.5 AMPS
VOLTAGE RATING : 150 VOLTS AC
CAVITY CONFIRMS TO FCC RULES AND REGULATIONS
PART 68,SUBPART F.



MJF13ULA4-KF06B3YG-0808-LF
LEADFREE
G:GREEN (LED2)
Y:YELLOW (LED1)
RoHS Compliant



PCB LAYOUT (Ref.)



PART NO. MJF13ULA4-KF06B3YG-0808

DWG NO. MJF13ULA4-KF06B3YG-0808

CHECKED BY CY

TOLERANCES ARE

DESCRIPTION:

4PORTS, 8POSITION, WITH LED'S
SHIELDED, SIDE ENTRY PCB GANGED JACK

FILE NO.

DRAWING BY

.X ± 0.25
.XX ± 0.13
.XXX ± 0.05
AWG

AREA

REVISIONS

HK

DATE

煜倫股份有限公司

UNIT / mm

SCALE 1:1

PROJECTION

