

FEATURES AND SPECIFICATIONS

Features and Benefits

- Subminiature
- Snap-on coupling
- DC to 6 GHz
- 30% smaller than SMB

Engineering

Nominal Impedance: 50Ω
Frequency Range: DC-6 GHz
Voltage Rating: Sea Level—335 Vrms

Mechanical

Force to Engage: Axial Force 25N (5.6 lb) max.
Force to Disengage: Axial Force 8N to 20N (1.8 to 4.5 lb)
Connector Durability: 500 Cycles
Center Contact Retention: Axial Force—10N (2.25 lb)
Cable Retention: Axial Force—49.8N (11.2 lb)

Electrical

Voltage Rating: Sea Level—335 Vrms
Insulation Resistance: 10000 MΩ min.
Dielectric Withstanding Voltage: 1000 Vrms min.
Contact Resistance

Center Contact Initial—5.0mΩ max.
Center Contact After Environment—15mΩ max.
Outer Contact—2.5mΩ max.
Outer Cable Conductor to Body—7.5mΩ max.

Voltage Standing Wave Ratio:

Straight—1.30 max. DC-2 GHz
1.35 max. 2-6 GHz
Right Angle—1.50 max. DC-2 GHz
1.65 max. 2 to 6 GHz

Environmental

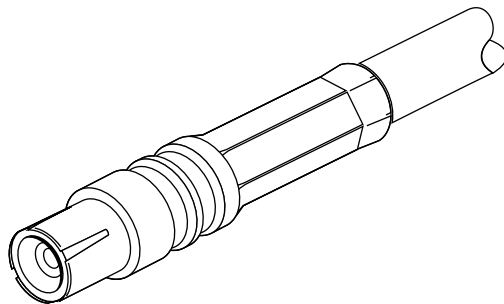
Vibration: MIL-STD-202, Method 204 Test Condition A
Thermal Shock: MIL-STD-202, Method 107 Test Condition A
Corrosion (Salt Spray): MIL-STD-202, Method 101 Test Condition B
Mechanical Shock: MIL-STD-202, Method 213 Test Condition A
Moisture Resistance: MIL-STD-202, Method 106

Physical

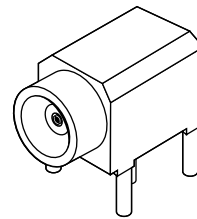
Operating Temperature: -55 to +85°

molex® MCX Connectors Overview

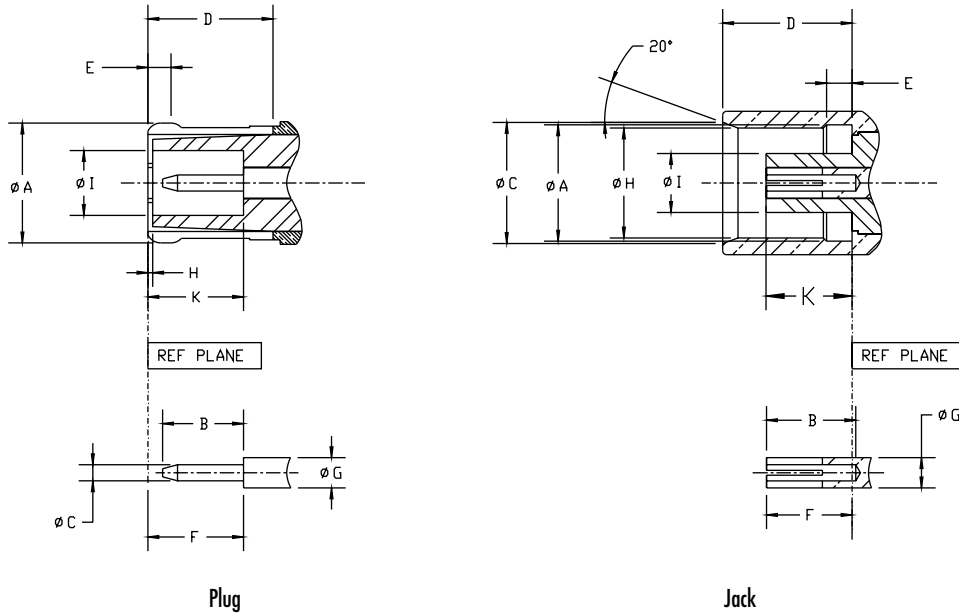
Molex MCX connectors are a subminiature snap-on connector offering a stable and durable connection while allowing electronic assemblies to be more densely packaged than other sub-miniature series. MCX connectors are approximately 30% smaller than SMB type connectors but use the same proven internal interconnect arrangement with respect to the dielectric and center contact. The MCX series provides good electrical performance to 6 GHz and used in telecommunication systems as well as wireless and GPS applications.



Straight Solder/Crimp Plug



Right Angle PCB Jack Receptacle



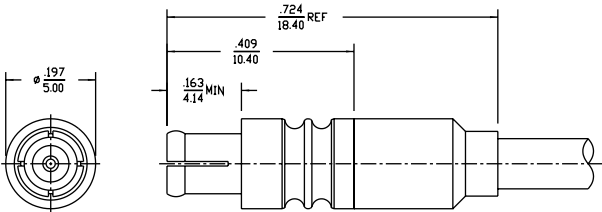
INTERFACE MATING DIMENSIONS

	Dimension			
	Plug		Jack	
	min.	max.	min.	max.
A (dia.)	3.71 (.146)*	3.80 (.150)*	3.60 (.142)	3.71 (.146)
B	2.49 (.098)	2.59 (.102)	2.80 (.110)	2.80 (.110)
C (dia.)	0.48 (.019)	0.53 (.021)	3.75 (.148)	3.85 (.152)
D	4.15 (.163)		4.00 (.157)	4.12 (.162)
E	0.70 (.028)	0.75 (.030)	0.75 (.030)	0.85 (.033)
F	2.80 (.110)	3.20 (.126)	2.30 (.091)	2.80 (.110)
G (dia.)	0.95 (.037) nom.	0.95 (.037) nom.	0.95 (.037) nom.	0.95 (.037) nom.
H (dia.)		3.05 (0.12)	3.42 (.135)	3.48 (.137)
I	2.00 (.079)	2.07 (.081)	1.80 (.071)	1.98 (.078)
K	2.80 (.110)	3.20 (.126)	2.60 (.102)	2.80 (.110)

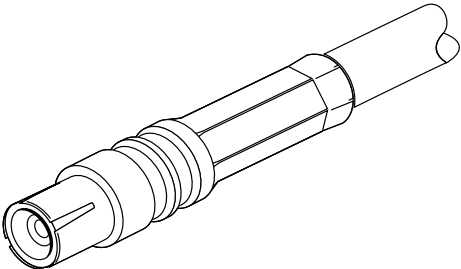
* Prior to slotting

CATALOG DRAWING (FOR REFERENCE ONLY)

- Overall Plating: Nickel
- Center contact solder termination
- Packaging: Tray



**Plug
Straight
Solder/Crimp
Cable**

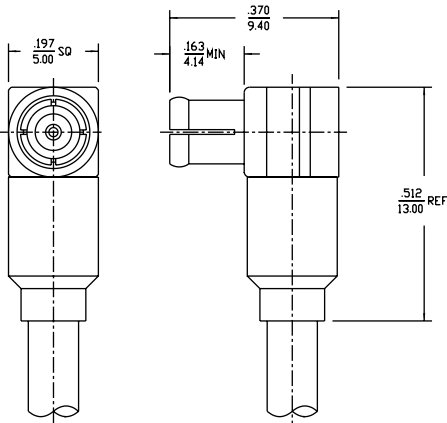


Order No.	Cable Group	Assembly Instructions
73366-0020	RG174, 179, 187, 188, 316	AS-73392-006

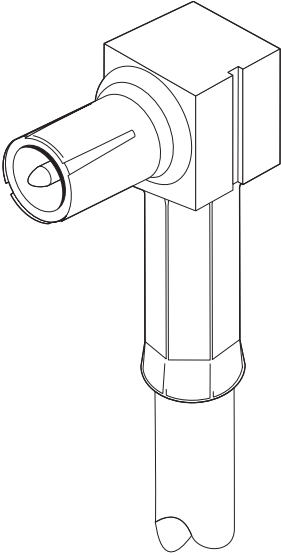
RF Coaxial Connectors

CATALOG DRAWING (FOR REFERENCE ONLY)

- Overall Plating: Nickel
- Center contact solder termination
- Packaging: Tray



**Plug
Right Angle
Solder/Crimp
Cable**



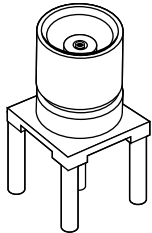
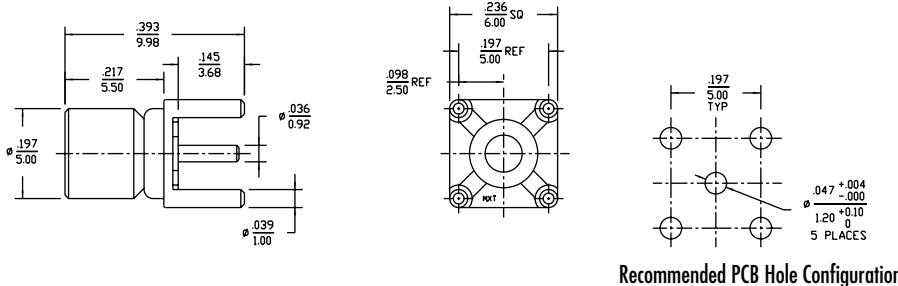
Order No.	Cable Group	Assembly Instructions
73366-0010	RG174, 179, 187, 188, 316	AS-73392-005

P

CATALOG DRAWING (FOR REFERENCE ONLY)

- Overall Plating: Nickel/Tin Lead
- Body: Brass
- Packaging: Tray

**Jack Receptacle
Vertical
PCB**

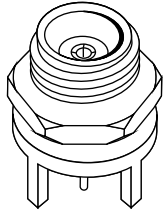
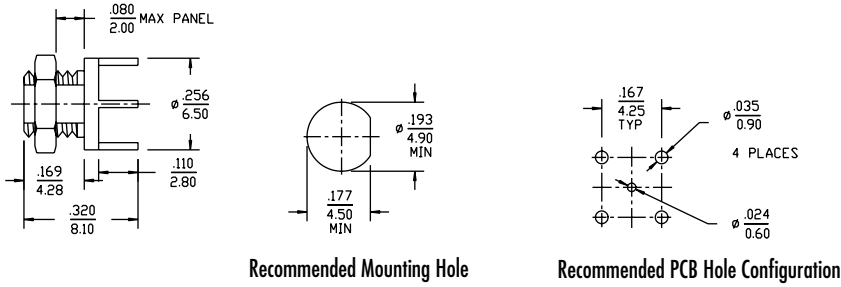


Order No.
73366-0000

CATALOG DRAWING (FOR REFERENCE ONLY)

- Body: Brass
- Overall Plating: Gold

**Jack Receptacle
Vertical
Bulkhead Mount
PCB**

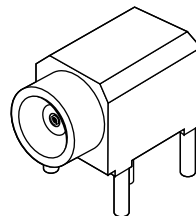
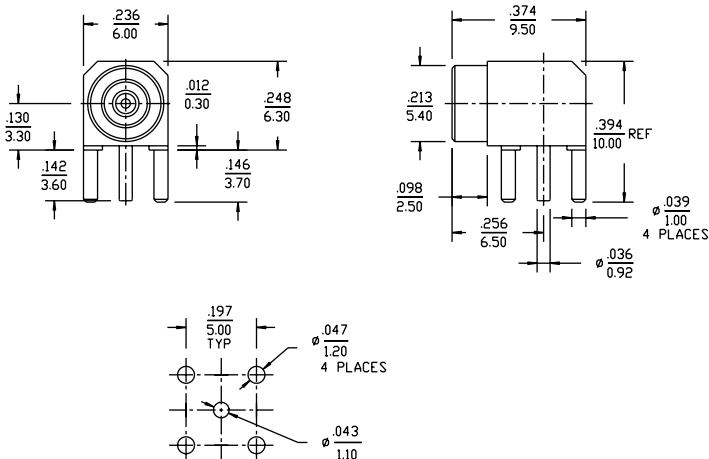


Order No.
73415-1040

CATALOG DRAWING (FOR REFERENCE ONLY)

- Body: Brass
- Overall Plating: Nickel/Tin Lead

**Jack Receptacle
Right Angle
PCB**



Recommended PCB Hole Configuration

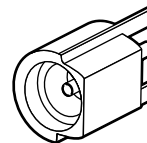
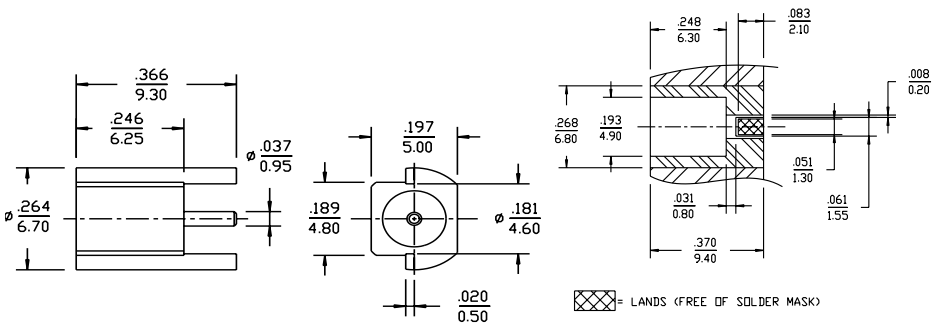
Order No.
73366-0030

RF Coaxial Connectors

CATALOG DRAWING (FOR REFERENCE ONLY)

- Body: Brass
- Overall Plating: Gold

**Jack Receptacle
Edge Mount**



Recommended Mounting Hole

Order No.
73415-1060

P