

FEATURES AND SPECIFICATIONS

Features and Benefits

- Fully shielded connector
- Advanced EMI/RFI protection
- ISDN standard
- Industry standard footprint and height
- Automatic vacuum placement

Reference Information

Product Specification: PS-95122
 Packaging: Anti-static blister reel
 Mates With: FCC 68 plugs
 Designed In: Millimeters

Electrical

Voltage: 125V
 Current: 1.5A
 Contact Resistance: 20mΩ max.
 Dielectric Withstanding Voltage: 1000V
 Insulation Resistance: 500 MΩ min.
 Shielding Effectiveness: 20 dB min.

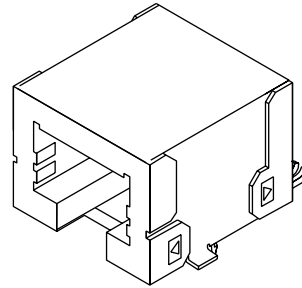
Physical

Housing: Black polyamide, UL 94V-0
 Contact: Phosphor Bronze
 Plating: Post plate 1.27 to 1.52μm (50 to 60μ") Gold in contact area, 1.90μm (75μ") min. (90/10) Tin/Lead in tail area both over Nickel overall
 Operating Temperature: -40 to +80°C

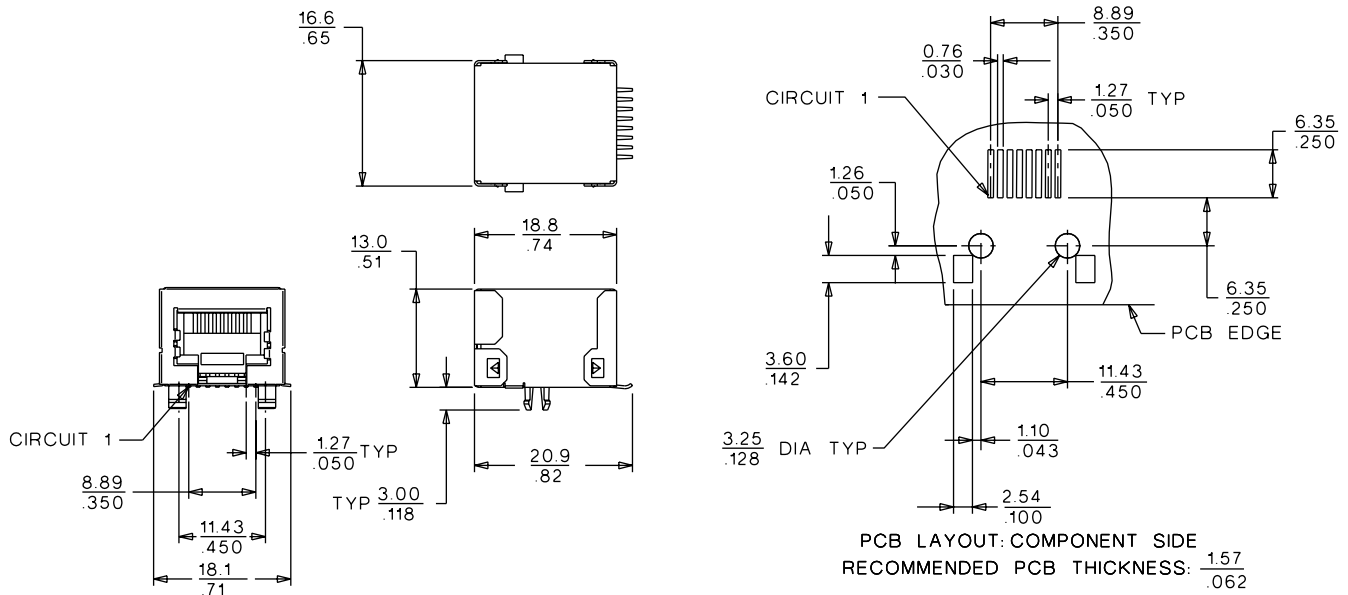
molex® Modular Jack

95122

**SMT, Right Angle
 Standard Profile, Shielded**



CATALOG DRAWING (FOR REFERENCE ONLY)



ORDERING INFORMATION

Circuits	Loaded Contacts	Order No.	Panel Ground	Fixing Pegs
8	8	95122-6881	No	Yes
8	8	95122-6882	Yes	Yes
8	8	95122-6883	No	No
8	8	95122-6884	Yes	No

Modular Plugs and Jacks

0