

FEATURES AND SPECIFICATIONS

Features and Benefits

- Sizes 10 to 64 circuits
- Available with or without polarization
- Complies with industry-standard DIN 41651 and MIL-3-83503 keying
- Selective Gold plating option for contacts
- Available in various packaging styles

Reference Information

Product Specification: PS-99020-0015
 Packaging: Tray (contact Molex for chain)
 Tooling Information: See end of section
 Mates With: [90663](#)
 Use With: [90170](#) strain relief
 Designed In: Millimeters

Electrical

Voltage: 250V
 Current: 1.0A
 Contact Resistance: 20mΩ max.
 Dielectric Withstanding Voltage: 500V AC
 Insulation Resistance: 1000 MΩ min.

Mechanical

Mating Force: 350g (0.77 lb) max. per circuit
 Unmating Force: 50g (0.11 lb) min. per circuit
 Durability: 300 cycles max.

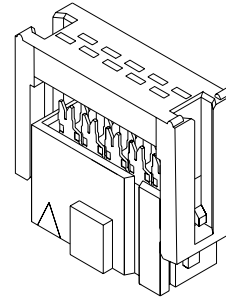
Physical

Housing: Glass-filled polyester, UL 94V-0
 Contact: Copper Alloy
 Plating: See Table
 Operating Temperature: -25 to +85°C
 Cable Accommodation: 26 AWG stranded and 28 AWG stranded and solid

molex® 1.27mm (.050") Pitch QF 50™ Receptacle

90635

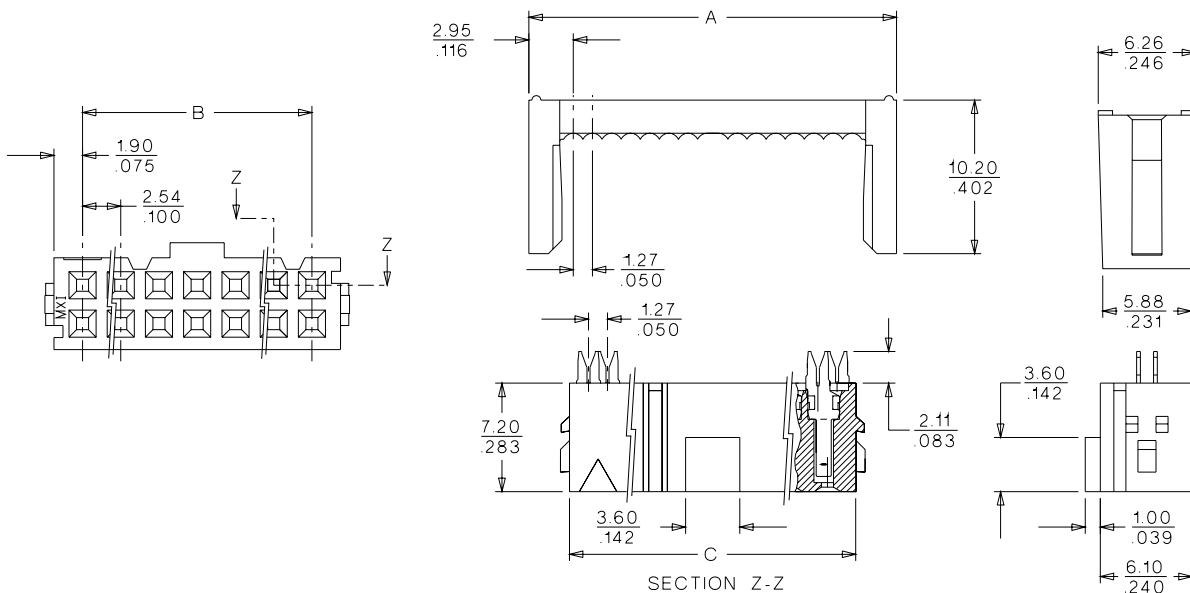
Vertical, MIL/DIN Version



Ribbon Cable Systems



CATALOG DRAWING (FOR REFERENCE ONLY)



ORDERING INFORMATION AND DIMENSIONS

Circuits	Order No.						Dimension		
	With Polarization			Without Polarization			A	B	C
	Plating 1	Plating 2	Plating 3	Plating 1	Plating 2	Plating 3			
10	90635-1101	90635-1102	90635-1103	90635-3101	90635-3102	90635-3103	17.30 (.681)	10.16 (.400)	13.96 (.550)
14	90635-1141	90635-1142	90635-1143	90635-3141	90635-3142	90635-3143	22.38 (.881)	15.24 (.600)	19.04 (.750)
16	90635-1161	90635-1162	90635-1163	90635-3161	90635-3162	90635-3163	24.92 (.981)	17.78 (.700)	21.58 (.850)
20	90635-1201	90635-1202	90635-1203	90635-3201	90635-3202	90635-3203	30.00 (1.181)	22.86 (.900)	26.66 (1.050)
24	90635-1241	90635-1242	90635-1243	90635-3241	90635-3242	90635-3243	35.08 (1.381)	27.94 (1.100)	31.74 (1.250)
26	90635-1261	90635-1262	90635-1263	90635-3261	90635-3262	90635-3263	37.62 (1.481)	30.48 (1.200)	34.28 (1.350)
30	90635-1301	90635-1302	90635-1303	90635-3301	90635-3302	90635-3303	42.70 (1.681)	35.56 (1.400)	39.36 (1.550)
34	90635-1341	90635-1342	90635-1343	90635-3341	90635-3342	90635-3343	47.78 (1.881)	40.64 (1.600)	44.44 (1.750)
40	90635-1401	90635-1402	90635-1403	90635-3401	90635-3402	90635-3403	55.40 (2.181)	48.26 (1.900)	52.06 (2.050)
50	90635-1501	90635-1502	90635-1503	90635-3501	90635-3502	90635-3503	68.10 (2.681)	60.96 (2.400)	64.76 (2.550)
60	90635-1601	90635-1602	90635-1603	90635-3601	90635-3602	90635-3603	80.80 (3.181)	73.66 (2.900)	77.46 (3.050)
64	90635-1641	90635-1642	90635-1643	90635-3641	90635-3642	90635-3643	85.88 (3.381)	78.74 (3.100)	82.54 (3.250)

Plating 1: Contact area: 4μm Gold flash min. IDT area: 39μm min. Tin/Lead over Nickel.

Plating 2: Contact area: 30μm Gold min. IDT area: 39μm min. Tin/Lead over Nickel.

Plating 3: Contact area: 15μm Gold min. IDT area: 39μm min. Tin/Lead over Nickel.