

FEATURES AND SPECIFICATIONS

Features and Benefits

- Wire range 14 to 20 AWG and 18 to 22 AWG available
- Wire-to-board and wire-to-wire connector system
- Crimp version
- Wire connectors have end grips for easy unmating
- Detents provide firm positive fit

Reference Information

Product Specification: PS-8981-4M/4P

Packaging: Terminal—Reel

Housing—Bag

Tooling Information: Crimp hand tool, see end of section

UL File No.: E29179

CSA File No.: LR19980A

Mates With: [70156](#) and [8981-04P](#)

Designed In: Inches

Electrical

Voltage: 250V

Current:

AWG	14	16	18	22
Amperes	10.0	10.0	8.0	6.0

Contact Resistance: 25mΩ max.

Insulation Resistance: 1000 MΩ min.

Mechanical

Contact Retention to Housing: 4.5kg min.

Mating Force: 10kg max.

Unmating Force: 2.5kg min.

Durability: 50 cycles

Physical

Housing: Natural nylon, UL 94V-2

Contact: Phosphor Bronze

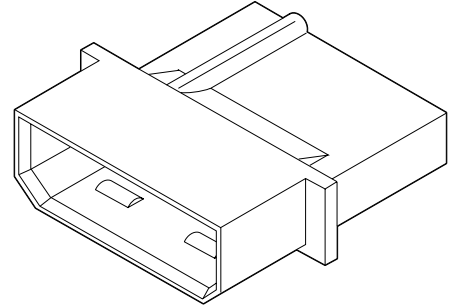
Plating: Tin/Lead over Nickel

Operating Temperature: -40 to +105°C

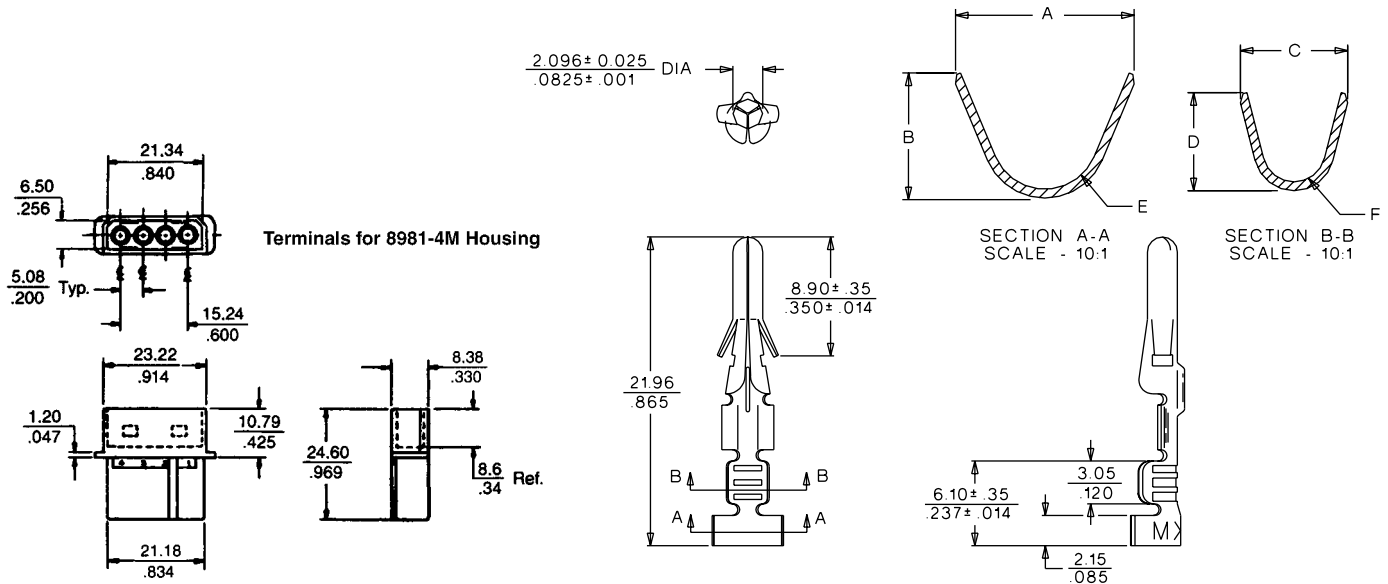


5.08mm (.200") Pitch Disk Drive Power Connection System Crimp Terminal and Housing

8981-04M



CATALOG DRAWING (FOR REFERENCE ONLY)



ORDERING INFORMATION

Housing	
Engineering No.	Order No.
8981-04M	15-24-4047

			Terminal				
Engineering No.	Order No.	Packaging	AWG	A	B	C	D
8980-6C	02-08-1234	Chain	14-20	4.44 (.175)	3.39 (.133)	3.02 (.119)	3.61 (.142)
8980-6C1	02-08-1236	Chain	18-22	3.28 (.129)	2.58 (.102)	2.44 (.096)	2.58 (.102)