

B**2.00 to 2.50mm (.079 to .098") Pitch****FEATURES AND SPECIFICATIONS****Features and Benefits**

- Sizes 2 to 15 circuits for standard version; sizes 2 to 15 circuits for coined version
- Latch windows retain positive locks after mating
- Standoffs minimize flux retention
- Coined version available for positive pin retention to header
- For other color options, contact Molex

Reference Information

Product Specification: PS-87369
 Packaging: Bag
 UL File No.: E29179
 CSA File No.: LR19980A
 Mates With: [87369](#)
 Designed In: Millimeters

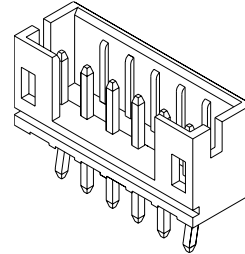
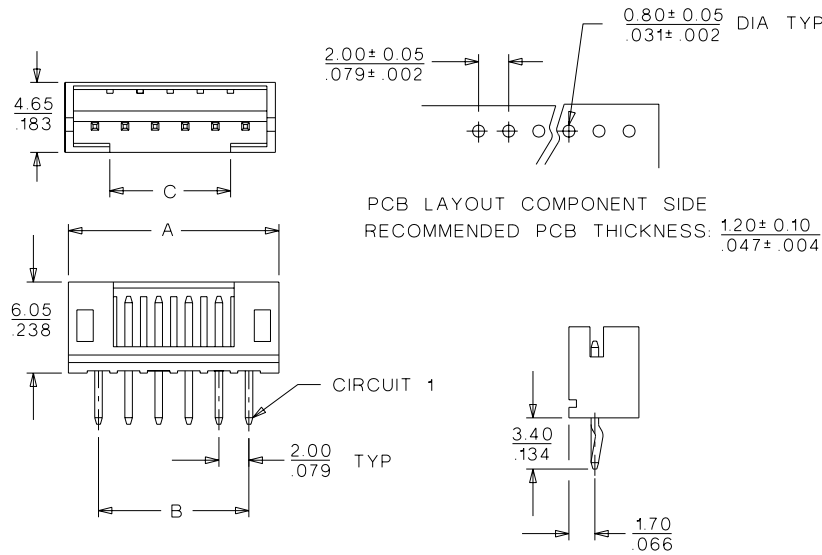
Electrical

Voltage: 250V
 Current: 4.0A
 Contact Resistance: 40mΩ max.
 Dielectric Withstanding Voltage: 500V AC/1 min.
 Insulation Resistance: 1000 MΩ min.

Physical

Housing: Thermoplastic, UL 94V-0
 Contact: Brass
 Plating: Tin
 Operating Temperature: -25 to +85°C

**molex® 2.00mm (.079") Pitch
 Wire-to-Board
 Header**

89400**Vertical****CATALOG DRAWING (FOR REFERENCE ONLY)****ORDERING INFORMATION AND DIMENSIONS**

Circuits	Order No.		Dimension		
	Standard	Coined	A	B	C
2	89400-021X	89400-022X	6.00 (.236)	2.00 (.079)	0.75 (.029)
3	89400-031X	89400-032X	8.00 (.314)	4.00 (.157)	2.00 (.079)
4	89400-041X	89400-042X	10.00 (.393)	6.00 (.236)	4.00 (.157)
5	89400-051X	89400-052X	12.00 (.472)	8.00 (.314)	6.00 (.236)
6	89400-061X	89400-062X	14.00 (.551)	10.00 (.393)	8.00 (.314)
7	89400-071X	89400-072X	16.00 (.629)	12.00 (.472)	10.00 (.393)
8	89400-081X	89400-082X	18.00 (.708)	14.00 (.551)	12.00 (.472)
9	89400-091X	89400-092X	20.00 (.787)	16.00 (.629)	14.00 (.551)
10	89400-101X	89400-102X	22.00 (.866)	18.00 (.708)	16.00 (.629)
11	89400-111X	89400-112X	24.00 (.944)	20.00 (.787)	18.00 (.708)
12	89400-121X	89400-122X	26.00 (1.023)	22.00 (.866)	20.00 (.787)
13	89400-131X	89400-132X	28.00 (1.102)	24.00 (.944)	22.00 (.866)
14	89400-141X	89400-142X	30.00 (1.181)	26.00 (1.023)	24.00 (.944)
15	89400-151X	89400-152X	32.00 (1.259)	28.00 (1.102)	26.00 (1.023)
16	89400-161X	89400-162X	34.00 (1.339)	30.00 (1.181)	28.00 (1.102)

Replace X with color option (0 to 6)	
0	Natural
1	Black
2	Red
3	Yellow
4	Blue
6	Green