

FEATURES AND SPECIFICATIONS

Features and Benefits

- Performance better than category 5
- Fully shielded connectors
- Advanced EMI/RFI protection
- ISDN standard
- Industry standard footprint and height

Reference Information

Product Specification: PS-85505
 Packaging: Tray
 Mates With: FCC 68 plugs
 Designed In: Millimeters

Electrical

Voltage: 125V
 Current: 1.5A
 Contact Resistance: 20mΩ max.
 Dielectric Withstanding Voltage: 1000V AC
 Insulation Resistance: 500 MΩ min.
 Shielding Effectiveness: 20 dB min.

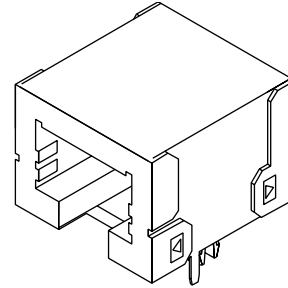
Physical

Housing: Black polyester, UL 94V-0
 Contact: Phosphor Bronze
 Plating: Post plate 1.27 to 1.52μm (50 to 60μ") Gold in contact area, 1.90μm (75μ") min. (90/10) Tin/Lead in tail area both over Nickel overall
 Operating Temperature: -40 to +80°C

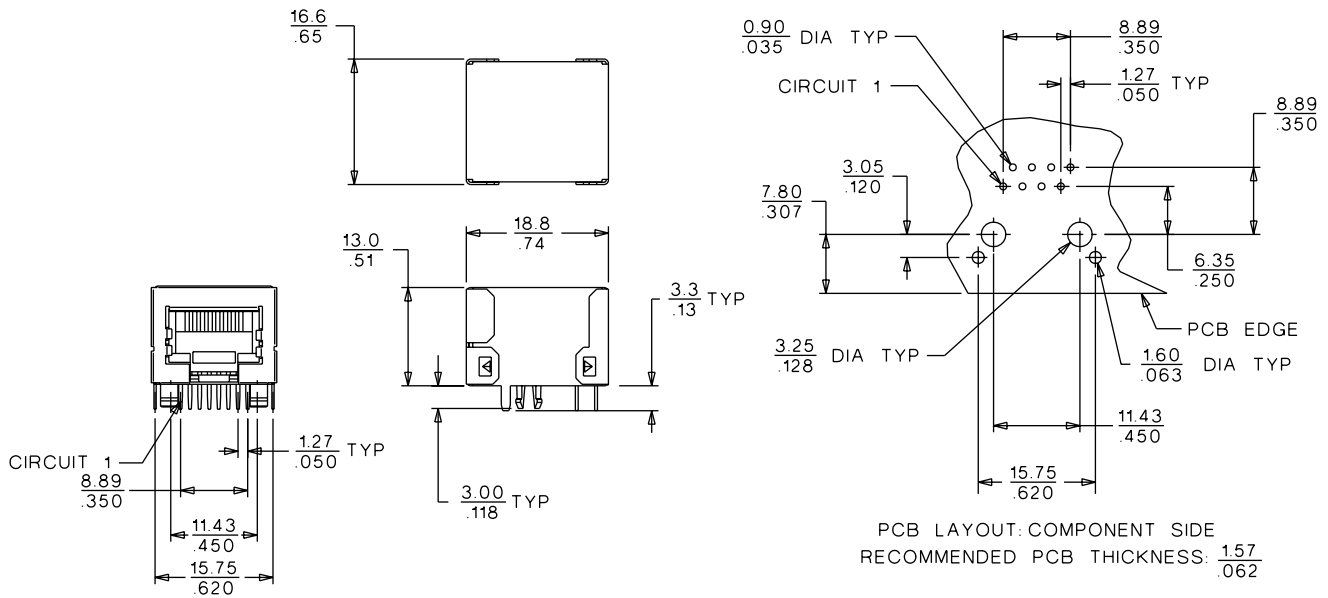


85505

High-Speed, Right Angle Low Profile, Shielded



CATALOG DRAWING (FOR REFERENCE ONLY)



ORDERING INFORMATION

Circuits	Loaded Contacts	Order No.	Panel Ground
8	8	85505-0001	No
8	8	85505-0002	Yes
8	8	85505-0007	Yes

Modular Plugs and Jacks

0