

FEATURES AND SPECIFICATIONS

Features and Benefits

- Cavities for coaxial and high power inserts
- Dual opposing beam contact
- Board lock option
- Flux proof option
- Solder tails for 1.6mm (.062") and 2.4mm (.094") PCBs

Electrical

Current: 1.5A

Physical

Housing: Glass-filled polyester, UL 94V-0

Contact: Copper Alloy

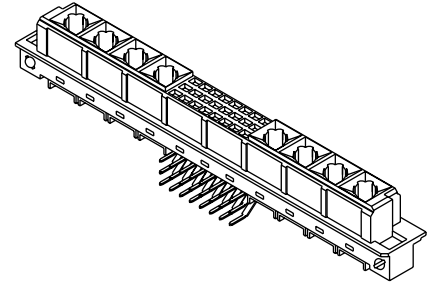
Operating Temperature: -55 to +125°C



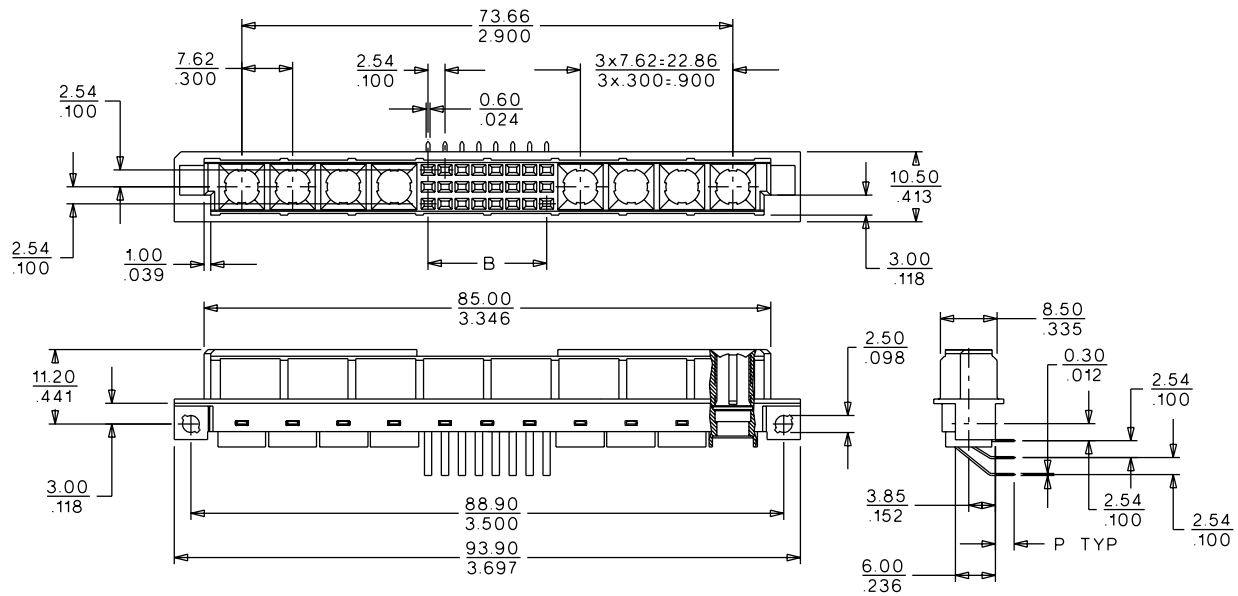
**2.54mm (.100") Pitch
DIN 41612/IEC 603-2
Mixed Layout Connector**

85056

**Female
Style M, Inverse**



CATALOG DRAWING (FOR REFERENCE ONLY)



ORDERING INFORMATION AND DIMENSIONS

Circuits	Order No.		Contact Loading	Rows	Solder Tail Dimension P
	1	2			
24+8	85056-0282	85056-0000	Full	a, b, c	3.0 (.118)
		85056-0012			3.4 (.133)
42+6	85056-0232	85056-0024	Full	a, b, c	3.0 (.118)
		85056-0036			3.4 (.133)
60+4	85056-0115	85056-0048	Full	a, b, c	3.0 (.118)
		85009-0050			3.4 (.133)
78+2	85056-0103	85056-0062	Full	a, b, c	3.0 (.118)
		85056-0074			3.4 (.133)

For other versions contact Molex

* Performance levels based on test conditions per DIN 41612, part 5:

1: >500 mating cycles. 10 day industrial environment (S02)

2: >400 mating cycles. 4 day industrial environment (S02)