

## FEATURES AND SPECIFICATIONS

### Features and Benefits

- Dual opposing beam contact
- Performance levels 1 and 2
- Board lock option
- Flux proof option
- Solder tails for 1.6mm (.062") and 3.2mm (.125") PCBs

### Reference Information

Product Specification: PS-85042-0001

Packaging: Box

UL File No.: E29179

CSA File No.: LR19980-390

Mates With:

**85001**—Right angle male style B/2

**85011**—Straight male style Q/2

### Electrical

Current: 1.5A

Contact Resistance: 20mΩ max.

### Mechanical

Mating Force: 0.93N max.

### Physical

Housing: Glass-filled polyester, UL 94V-0

Contact: Copper Alloy

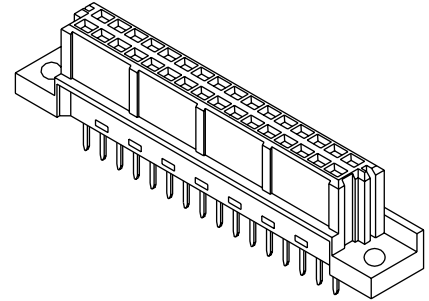
Operating Temperature: -55 to +125°C



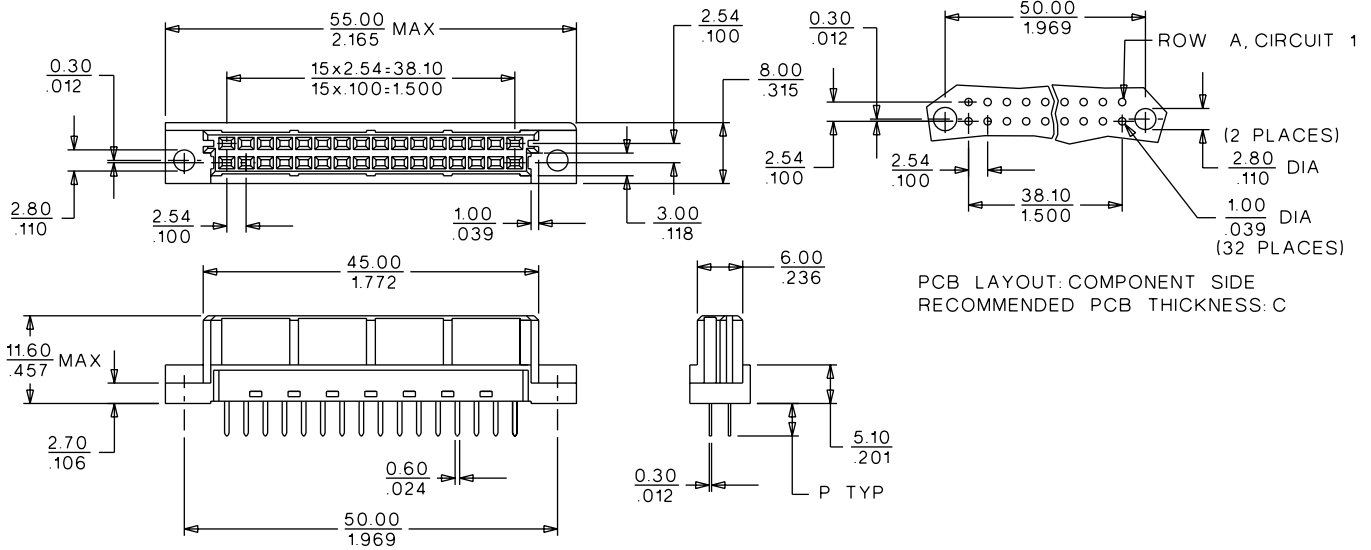
# 2.54mm (.100") Pitch DIN 41612/IEC 603-2 Connector

## 85040

## Female Style B/2



## CATALOG DRAWING (FOR REFERENCE ONLY)



## ORDERING INFORMATION AND DIMENSIONS

Circuits	Order No.		Contact Loading	Rows	Solder Tail Dimension P	Option(s)
	Performance Levels*					
	1	2				
16		85040-1005	Even only	a, b	4.5 (.177)	
32		85040-0191	Full	a, b	2.9 (.114)	Board locks
		85040-0012				
		85040-0713				85040-0000

For other versions contact Molex

\* Performance levels based on test conditions per DIN 41612, part 5:

1: >500 mating cycles. 10 day industrial environment (S02)

2: >400 mating cycles. 4 day industrial environment (S02)

Backplane Connector Systems

