

## FEATURES AND SPECIFICATIONS

### Features and Benefits

- Contacts per DIN 41626
- Cable and PCB termination
- 50 and 75Ω applications
- Contacts snap into connector housing

### Reference Information

Product Specification: DIN 41626

Packaging: Bag

Tooling: Contact removal tool 85089-0323

Use With Series 85022:

[85048](#)—Straight female style M

[85056](#)—Right angle female style M “inverse”

Use With Series 85023:

[85009](#)—Right angle male style M

[85017](#)—Straight male style M “inverse”

### Electrical

Impedance: 50 and 75Ω

Frequency Range: 0 to 2 GHz

Insulation Resistance: 10<sup>6</sup>Ω

### Physical

Contact: Brass

Spring: Beryllium Copper

Insulators: PTFE

Fixing Clip: Beryllium Copper

Crimp Barrel: Copper

Plating: Gold

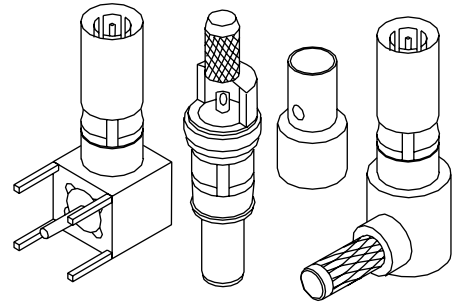
Operating Temperature: -55 to +125°C



# 2.54mm (.100") Pitch DIN 41612/IEC 603-2 Coaxial Contacts

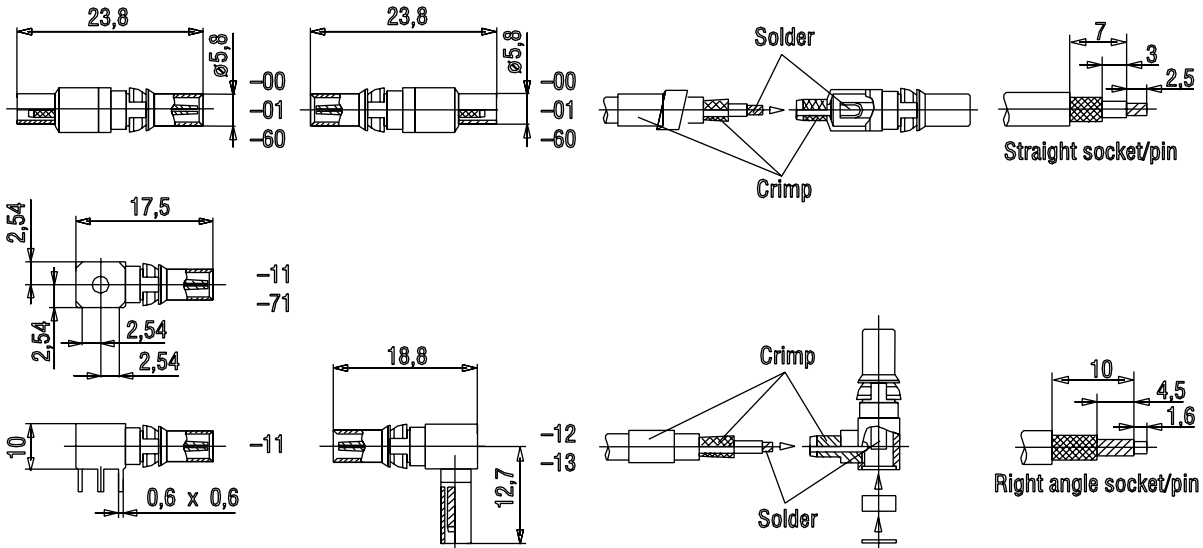
## 85022/85023

## Special Contacts Style M and M Inverse Mixed Layout Connector



## CATALOG DRAWING (FOR REFERENCE ONLY)

### Assembly Instructions:



## ORDERING INFORMATION AND DIMENSIONS

Impedance	Order No.		Code	Termination	Contact	For Coax Cable Types	Diameter
	1	2					
50Ω	85022-0488	85022-0373	00	Straight cable center wire solder	Female	RG 178 B/U	2.0 (.079)
						RG 196 A/U	2.6 (.102)
	RG 188 A/U	2.8 (.110)					
	85022-0490	85022-0385	01		Male	RG 174/U	2.6 (.102)
						RG 316/U	2.6 (.102)
	RG 178 B/U	2.0 (.079)					
	85023-0402	85023-0335	00	Right angle cable center wire solder	Female	RG 196 A/U	2.0 (.079)
						RG 174/U	2.6 (.102)
	RG 316/U	2.6 (.102)					
	85023-0414	85023-0347	01		Male	RG 188 A/U	2.8 (.110)
						RG 174/U	2.6 (.102)
	RG 316/U	2.6 (.102)					
85022-0529	85022-0414	13	Female	RG 174/U	2.6 (.102)		
85023-0517	85023-0529	12		Male	RG 188 A/U	2.8 (.110)	
			RG 174/U		2.6 (.102)		
RG 316/U	2.6 (.102)						

Impedance	Order No.		Code	Termination	Contact	For Coax Cable Types	Diameter
	1	2					
50Ω	85022-0505	85022-0397	11	Right angle PCB solder	Female		
					85023-0426	85023-0359	Male
75Ω	85022-0335	85022-0311	00	Straight cable center wire solder	Female	RG 179 B/U	2.6 (.102)
					Male	RG 179 B/U	2.6 (.102)
	RG 187 A/U	2.8 (.110)					
	RG 187 A/U	2.8 (.110)					
	85023-0309	85023-0282	60	Right angle cable center wire solder	Female	RG 179 B/U	2.6 (.102)
					Male	RG 179 B/U	2.6 (.102)
	85022-0658	85022-0608	13	Right angle PCB solder	Female	RG 187 A/U	2.8 (.110)
					Male	RG 187 A/U	2.8 (.110)
85023-0531	85023-0543	01	Male	Female	RG 179 B/U	2.6 (.102)	
				Male	RG 187 A/U	2.8 (.110)	
85022-0347	85022-0323	11	Female				
85023-0311	85023-0294	11	Male				

For other versions contact Molex

\* Performance levels based on test conditions per DIN 41612, part 5:

1: >500 mating cycles. 10 day industrial environment (S02)

2: >400 mating cycles. 4 day industrial environment (S02)