

FEATURES AND SPECIFICATIONS

Features and Benefits

- Press-fit termination
- For 1.6 to 4mm backplanes
- Cavities for coaxial and high current contacts
- FMLB/LMFB pins (extended/recessed) available
- Version for press-fit power contacts available

Reference Information

Packaging: Tray

Tooling: Press-in tool 85089-1079

UL File No.: E29179

CSA File No.: LR19980-390

Mates With:

[85048](#)—Straight female style M

[85056](#)—Right angle female style M "inverse"

Use With: 85023—Special power and coaxial terminals

Electrical

Current: 1.5A

Physical

Housing: Glass-filled polyester, UL 94V-0

Contact: Bronze

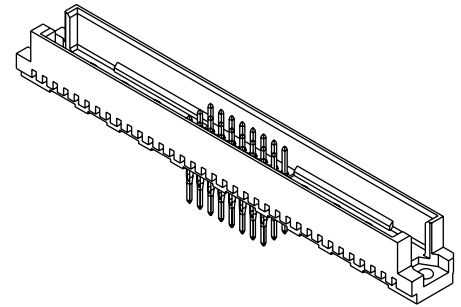
Operating Temperature: -55 to +125°C



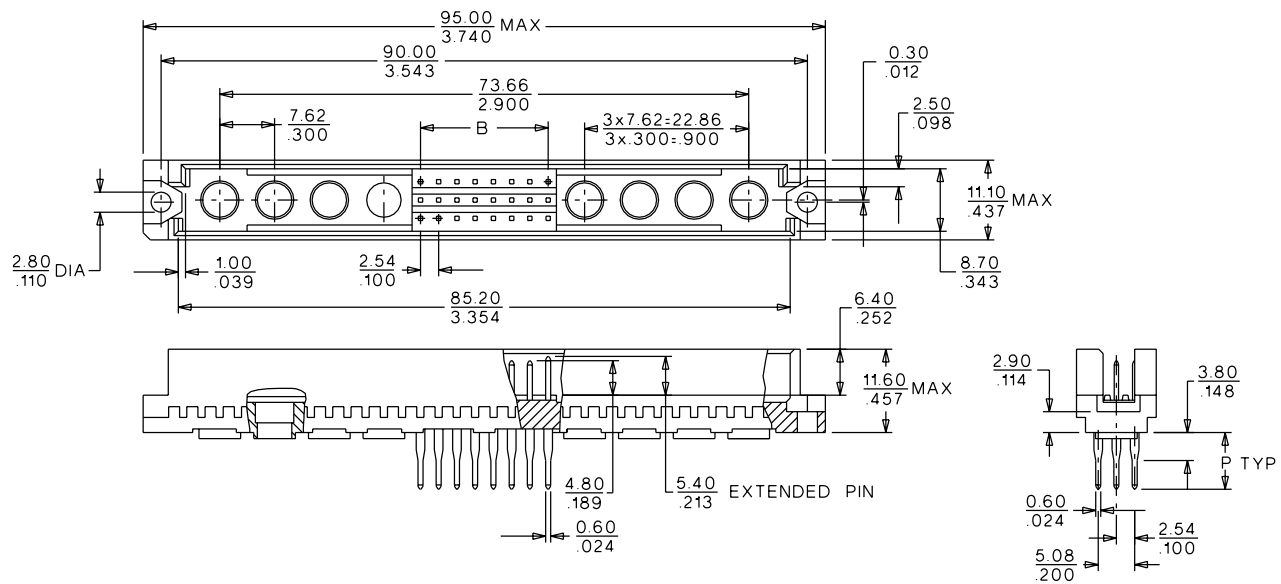
2.54mm (.100") Pitch DIN 41612/IEC 603-2 Mixed Layout Connector

85017

Male Style M, Inverse Press-Fit



CATALOG DRAWING (FOR REFERENCE ONLY)



ORDERING INFORMATION AND DIMENSIONS

Circuits	Order No.		Contact Loading	Rows	Press-Fit Tail Dimension P
	Performance Level*				
	1	2			
24+8	85017-0220		Full	a, b, c	5.8 (.228)
	85017-0218				13.2 (.520)
42+6	85017-0359	85017-0074	Full	a, b, c	5.8 (.228)
		85017-0062			13.2 (.520)
60+4	85017-0115		Full	a, b, c	5.8 (.228)
	85017-0103				13.2 (.520)
78+2	85017-0361	85017-0153	Full	a, b, c	5.8 (.228)
		85017-0141			13.2 (.520)

For other versions contact Molex

* Performance levels based on test conditions per DIN 41612, part 5:

1: >500 mating cycles. 10 day industrial environment (S02)

2: >400 mating cycles. 4 day industrial environment (S02)

Backplane Connector Systems

