

FEATURES AND SPECIFICATIONS

Features and Benefits

- Solder tails for 1.6mm (.062") and 3.2mm (.125") PCBs
- FMLB/LMFB pins (extended/recessed) available
- Flux-proof option

Reference Information

Product Specification: PS-85013-0001
 Packaging: Box
 UL File No.: E29179
 CSA File No.: LR19980-390
 Mates With: [85050](#)—Right angle female style Q/3

Electrical

Current: 1.5A

Physical

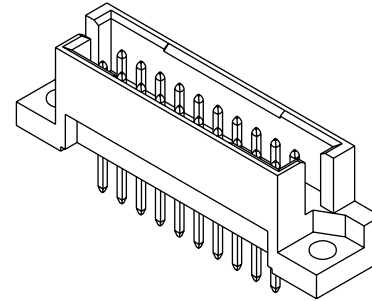
Housing: Glass-filled polyester, UL 94V-0
 Contact: Brass
 Operating Temperature: -55 to +125°C



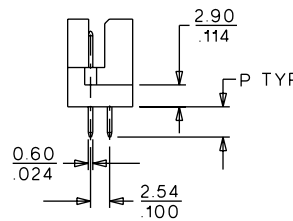
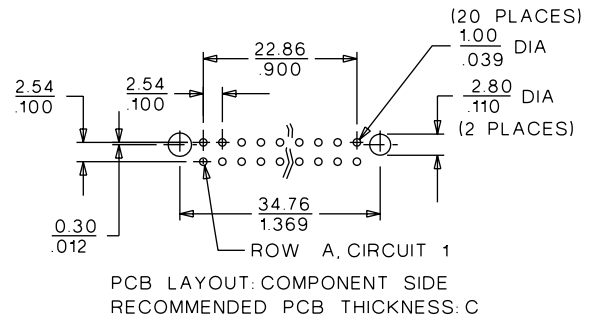
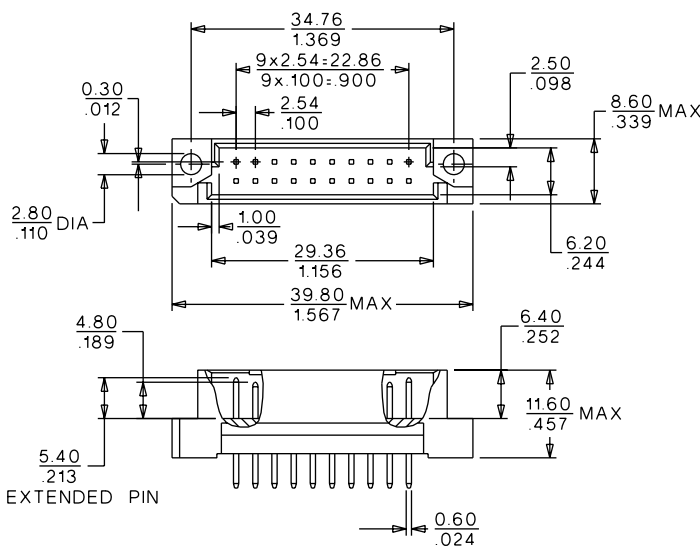
**2.54mm (.100") Pitch
 DIN 41612/IEC 603-2
 Connector**

85011

**Male
 Style Q/3**



CATALOG DRAWING (FOR REFERENCE ONLY)



ORDERING INFORMATION AND DIMENSIONS

Circuits	Order No.		Contact Loading	Rows	Solder Tail Dimension P
	Performance Level*				
	1	2			
20	85011-0103	85011-0000	Full	a, b	4.5 (.177)

For other versions contact Molex

* Performance levels based on test conditions per DIN 41612, part 5:

1: >500 mating cycles. 10 day industrial environment (S02)

2: >400 mating cycles. 4 day industrial environment (S02)