

FEATURES AND SPECIFICATIONS

Features and Benefits

- Pre-assembled with metal strap for secure PCB retention

Reference Information

UL File No.: E29179
 CSA File No.: LR19980
 Mates With: [70156](#)
 Designed In: Millimeters

Electrical

Voltage: 250V
 Current: 5.0A
 Contact Resistance: 10mΩ max.
 Dielectric Withstanding Voltage: 1500V AC
 Insulation Resistance: 1000 MΩ min.

Mechanical

Contact Retention to Housing: 4 lb min.
 Mating Force: 4 lb max.
 Unmating Force: 1.5 lb min.

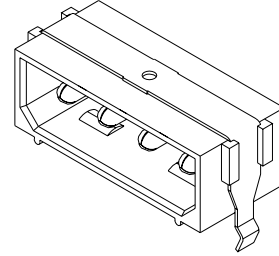
Physical

Housing: 6/6 nylon, UL 94V-2
 Contact: Phosphor Bronze
 Plating: Tin
 Band: Brass, pre-Tinned
 Operating Temperature: -40 to +80°C

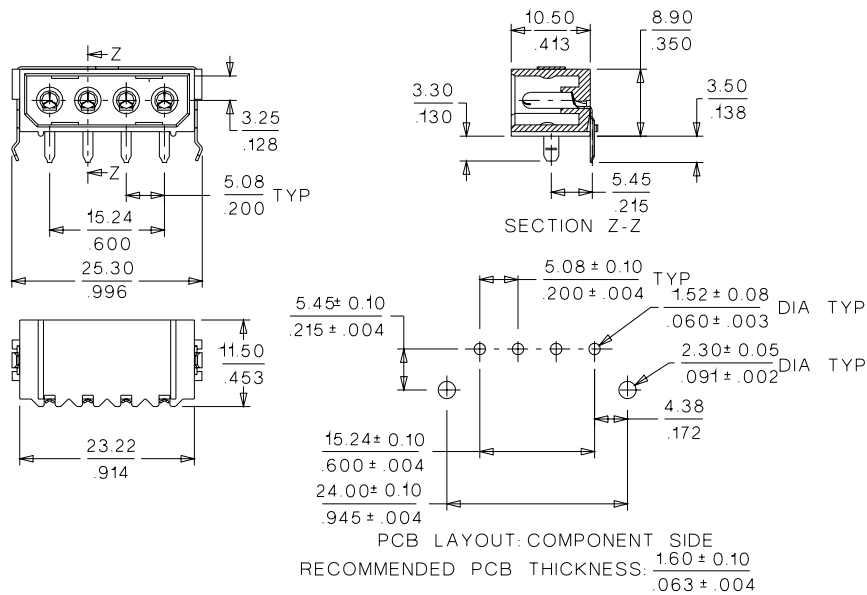
molex® 5.08mm (.200") Pitch
 Disk Drive Power
 Connection System
 Header

53109

**Right Angle with Strap
 Standard Polarization**



CATALOG DRAWING (FOR REFERENCE ONLY)



ORDERING INFORMATION

Engineering No.	Order No.	PC Tail Length
53109-0410 Standard Polarization	53109-0410	3.50 (.138)