

FEATURES AND SPECIFICATIONS

Features and Benefits

- Sizes 3 to 27 circuits
- For 0.30mm thick FFC/FPC
- Low insertion force (LIF)
- Also accepts conductive ink circuit (membrane switch)
- Completely eliminates flux intrusion

Reference Information

UL File No.: E29179
 Packaging: Tray
 Designed In: Inches

Electrical

Voltage: 200V
 Current: 1.0A
 Contact Resistance: 20mΩ max.
 Dielectric Withstanding Voltage: 650V AC/1 min.
 Insulation Resistance: 1000 MΩ min.

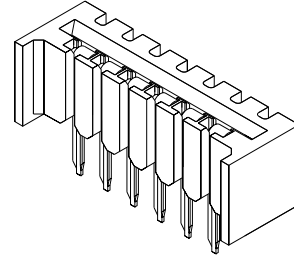
Physical

Housing: PBTP, UL 94V-0
 Contact: Phosphor Bronze
 Plating: Tin
 Operating Temperature: -40 to +105°C

molex® 2.54mm (.100") Pitch FFC/FPC Connector

5229-NCPB

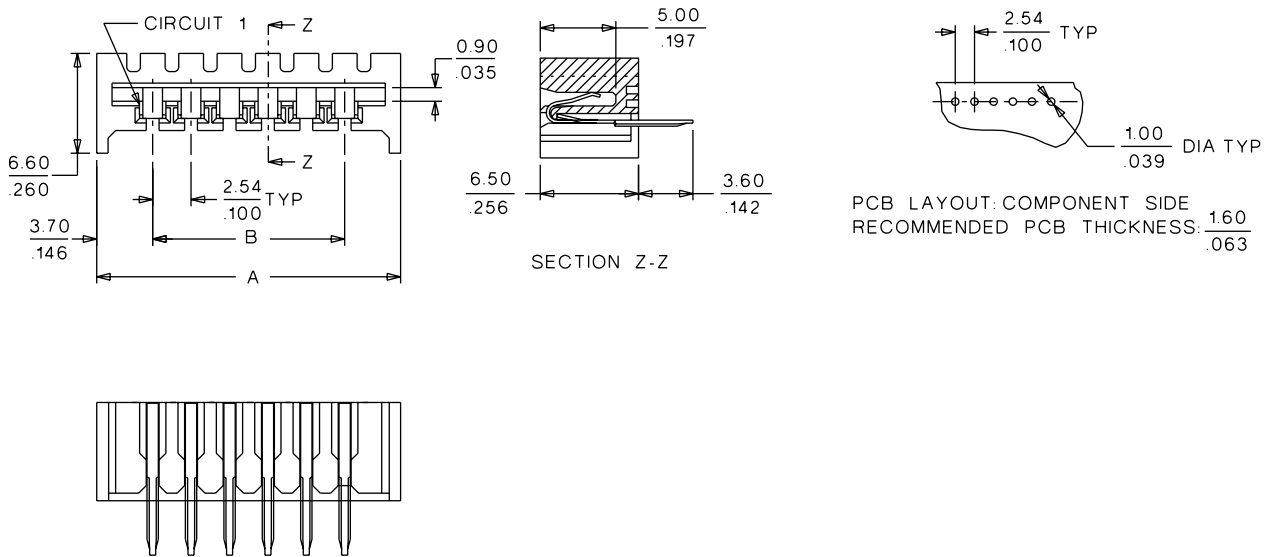
Vertical Non-ZIF



FFC/FPC Connectors



CATALOG DRAWING (FOR REFERENCE ONLY)



ORDERING INFORMATION AND DIMENSIONS

Circuits	Order No.	Dimension	
		A	B
3	22-02-3033	12.48 (.491)	5.08 (.200)
4	22-02-3043	15.02 (.591)	7.62 (.300)
5	22-02-3053	17.56 (.691)	10.16 (.400)
6	22-02-3063	20.10 (.791)	12.70 (.500)
7	22-02-3073	22.64 (.891)	15.24 (.600)
8	22-02-3083	25.18 (.991)	17.78 (.700)
9	22-02-3093	27.72 (1.091)	20.32 (.800)
10	22-02-3103	30.26 (1.191)	22.86 (.900)
11	22-02-3113	32.80 (1.291)	25.40 (1.000)
12	22-02-3123	35.34 (1.391)	27.94 (1.100)
13	22-02-3133	37.88 (1.491)	30.48 (1.200)
14	22-02-3143	40.42 (1.591)	33.02 (1.300)
15	22-02-3153	42.96 (1.691)	35.56 (1.400)

Circuits	Order No.	Dimension	
		A	B
16	22-02-3163	45.50 (1.791)	38.10 (1.500)
17	22-02-3173	48.04 (1.891)	40.64 (1.600)
18	22-02-3183	50.58 (1.991)	43.18 (1.700)
19	22-02-3193	53.12 (2.091)	45.72 (1.800)
20	22-02-3203	55.66 (2.191)	48.26 (1.900)
21	22-02-3213	58.20 (2.291)	50.80 (2.000)
22	22-02-3223	60.74 (2.391)	53.34 (2.100)
23	22-02-3233	63.28 (2.491)	55.88 (2.200)
24	22-02-3243	65.82 (2.591)	58.42 (2.300)
25	22-02-3253	68.36 (2.691)	60.96 (2.400)
26	22-02-3263	70.90 (2.791)	63.50 (2.500)
27	22-02-3273	73.44 (2.891)	66.04 (2.600)

Note: For cable specification dimensions, see cable pages at end of section