

FEATURES AND SPECIFICATIONS

Features and Benefits

- Sizes 2 to 4 circuits
- JIS D0203 S2 compliant
- User friendly friction lock provides secure connection

Reference Information

Packaging: Tray
 Mates With: [52116](#) housing
 Use With: [50039](#) terminal
 Designed In: Millimeters

Electrical

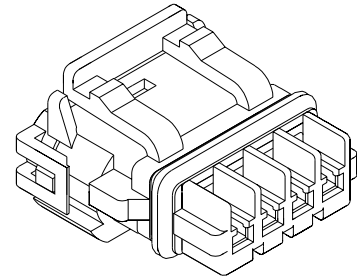
Voltage: 250V
 Current: 3.0A max.
 Contact Resistance: 10mΩ max.
 Dielectric Withstanding Voltage: 500V AC/1 min.
 Insulation Resistance: 250 MΩ min.

Physical

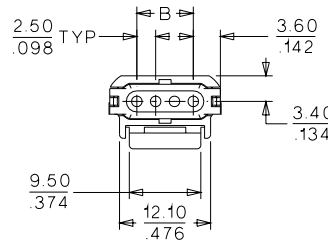
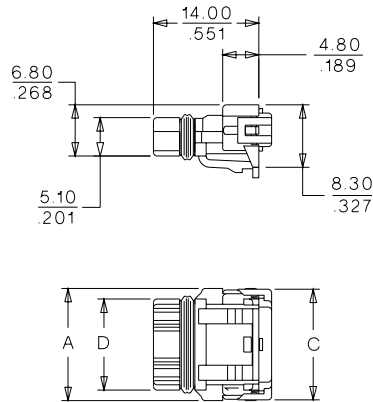
Housing: Glass-filled PBTP
 Cap: Glass-filled PBTP
 Seal: Silicon
 Operating Temperature: -40 to +105°C

molex® 2.50mm (.098") Pitch Splash Proof Wire-to-Wire Receptacle Housing

52117



CATALOG DRAWING (FOR REFERENCE ONLY)



ORDERING INFORMATION AND DIMENSIONS

Circuits	Order No.	Dimension			
		A	B	C	D
2	52117-024X	12.40 (.488)	5.00 (.196)	12.20 (.480)	9.60 (.378)
3	52117-034X	12.40 (.488)	5.00 (.196)	12.20 (.480)	9.60 (.378)
4	52117-041X	14.90 (.586)	7.50 (.295)	14.70 (.578)	12.10 (.476)

Note: Replace X with
 0 = White color
 1 = Black color
 2 = Red color (available in 2 and 3 circuits only)