

FEATURES AND SPECIFICATIONS

Features and Benefits

- Surface Mount Compatible
- Fully isolated terminals to protect contacts from damage
- A variety of board thicknesses available
- Patented metal retention clip holds product before and after the soldering process
- Blind-mating capabilities

Reference Information

Product Specification: PS-43810-0001

Packaging: Tray

Mates With: [42385](#), [42474](#), [44475](#) and [5557](#) dual row receptacles

Designed In: Millimeters



**Mini-Fit, SMC™
Surface Mount
Compatible Headers**

44068

**Vertical, Dual Row
For 1.60mm (.063") max.
PCB Thickness**

Electrical

Voltage: 600V

Current: 9.0A (12.0A with HCS terminals)

Circuits	2-3	4-6	7-10	12-24
Amperes-BMI	9	8	7	6
Amperes-BMI with HCS	12	11	10	9

Contact Resistance: 10mΩ max.

Dielectric Withstanding Voltage: 1500V

Insulation Resistance: 1000 MΩ min.

Mechanical

Insertion Force to PCB: 5.0kg max.

Mating Force: 0.7kg (1.54 lb) per circuit max.

Unmating Force: 0.35kg (0.7 lb) per circuit min.

Normal Force: 200g min.

Durability: 30 cycles

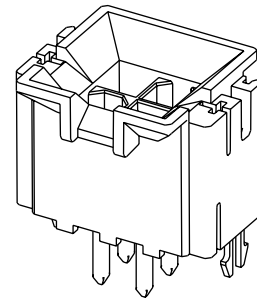
Physical

Housing: 4/6 nylon, UL 94V-0

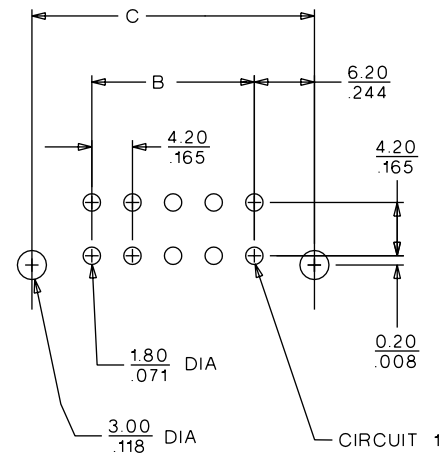
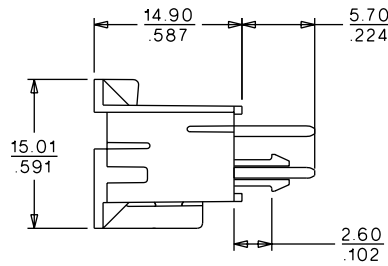
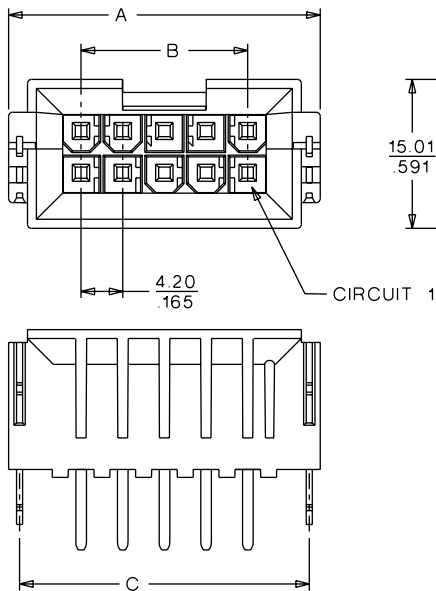
Contact: Brass

Plating: Tin, overall Gold

Operating Temperature: -40 to +105°C



CATALOG DRAWING (FOR REFERENCE ONLY)



PCB LAYOUT: COMPONENT SIDE
RECOMMENDED PCB THICKNESS: $\frac{1.60}{.063}$

ORDERING INFORMATION AND DIMENSIONS

Circuits	Order No.				Dimension		
	Tin Plated		Gold Plated		A	B	C
	With Clip	Without Clip	With Clip	Without Clip			
4	• 44068-0001	• 44068-0023	• 44068-0012	• 44068-0034	18.81 (.740)	4.20 (.165)	16.60 (.653)
6	• 44068-0002	• 44068-0024	• 44068-0013	• 44068-0035	23.01 (.906)	8.40 (.331)	20.80 (.819)
10	• 44068-0004	• 44068-0026	• 44068-0015	• 44068-0037	31.41 (1.237)	16.80 (.661)	29.20 (1.150)
14	• 44068-0006	• 44068-0028	• 44068-0017	• 44068-0039	39.81 (1.567)	25.20 (.992)	37.60 (1.480)
18	• 44068-0008	• 44068-0030	• 44068-0019	• 44068-0041	48.21 (1.898)	33.60 (1.323)	46.00 (1.810)
24	• 44068-0011	• 44068-0033	• 44068-0022	• 44068-0044	60.81 (2.394)	46.20 (1.819)	58.60 (2.307)

• US Standard Product, available through Molex franchised distributors