

FEATURES AND SPECIFICATIONS

Features and Benefits

- Positive latching to mating headers or plugs
- Fully isolated contacts
- Fully polarized to mating headers and plugs
- Integral pull tabs for ease in unmating

Physical

Housing: Polyester, UL 94V-0

Reference Information

Product Specification: PS-43650

Packaging: Bag

UL File No.: E29179

CSA File No.: LR19980

TUV License No.: R95107

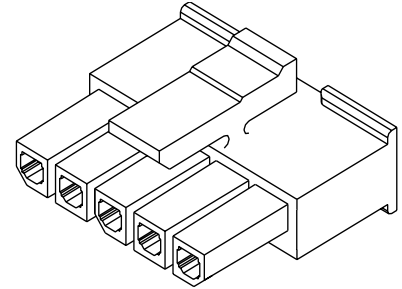
Mates With: [43640](#) and [43650](#)

Use With: [43030](#)

Designed In: Millimeters

molex® 3.00mm (.118") Pitch Micro-Fit 3.0™ Wire-to-Wire Receptacle

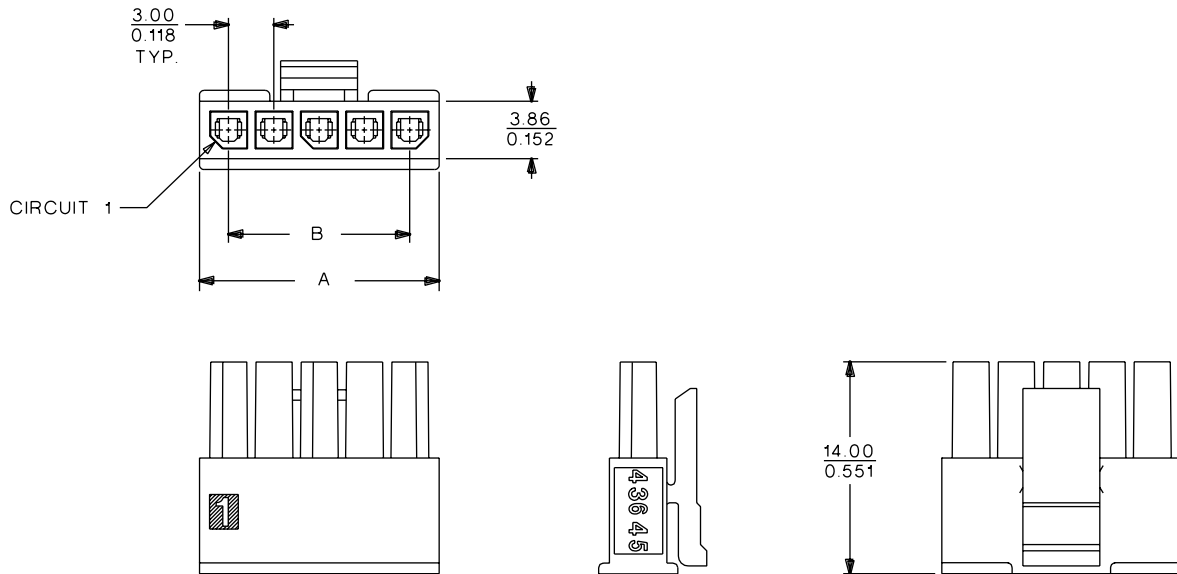
43645 Single Row



Power Connectors

F

CATALOG DRAWING (FOR REFERENCE ONLY)



ORDERING INFORMATION AND DIMENSIONS

Circuits	Order No.	Dimension	
		A	B
2	43645-0200	6.85 (.270)	3.00 (.118)
3	43645-0300	9.85 (.388)	6.00 (.236)
4	43645-0400	12.85 (.506)	9.00 (.354)
5	43645-0500	15.85 (.624)	12.00 (.472)
6	43645-0600	18.85 (.742)	15.00 (.591)
7	43645-0700	21.85 (.860)	18.00 (.709)
8	43645-0800	24.85 (.978)	21.00 (.827)
9	43645-0900	27.85 (1.096)	24.00 (.945)
10	43645-1000	30.85 (1.215)	27.00 (1.063)
11	43645-1100	33.85 (1.333)	30.00 (1.181)
12	43645-1200	36.85 (1.457)	33.00 (1.299)