

FEATURES AND SPECIFICATIONS

Features and Benefits

- Solderable fitting nail provides retention to PCB
- Fully polarized to mating receptacle
- Tape and reel packaging eliminates handling and provides for higher PCB board placement speeds compared to tray packing or hand assembly

Reference Information

Product Specification: PS-43045
 Packaging: Tape and reel
 UL File No.: E29179
 CSA File No.: LR19980
 TUV License No.: R95107
 Mates With: [43025](#)
 Designed In: Millimeters

Electrical

Voltage: 250V
 Current: 5.0A max.
 Contact Resistance: 10mΩ max.
 Dielectric Withstanding Voltage: 1500V AC
 Insulation Resistance: 1000 MΩ min.

Physical

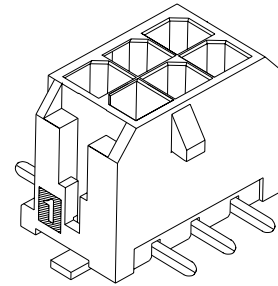
Housing: High temperature LCP, UL 94V-0
 Contact: Brass
 Plating: Tin or Gold

molex® 3.00mm (.118") Pitch
Micro-Fit 3.0™

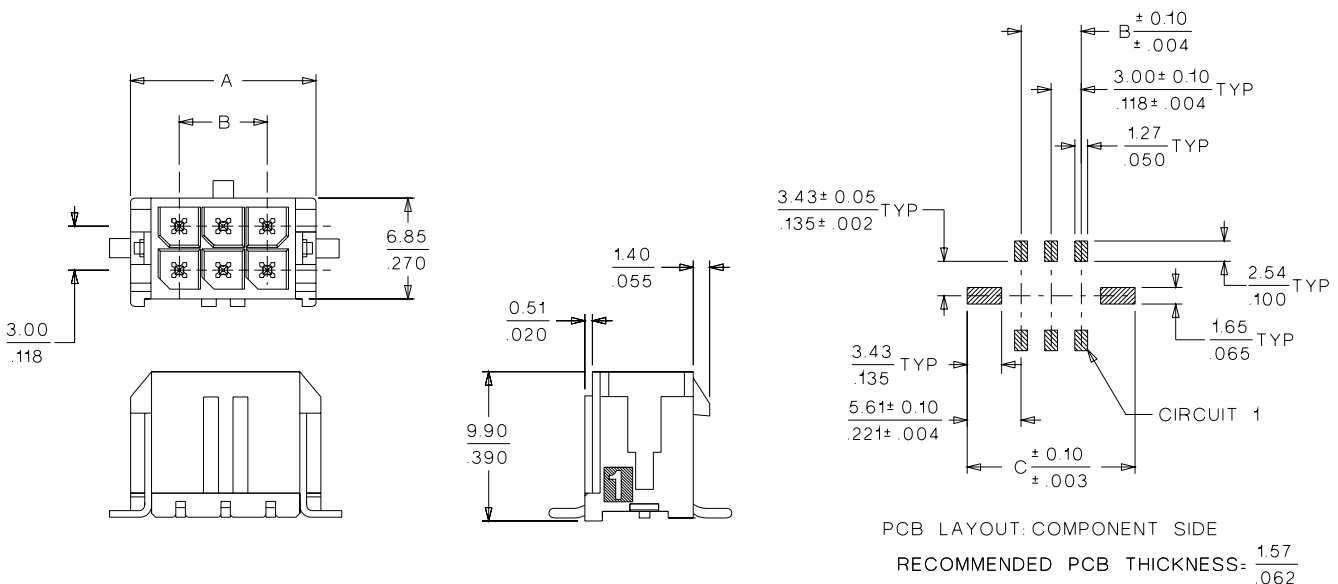
**Wire-to-Board
 Header**

43045

**Dual Row, Vertical, SMT
 With Solderable Fitting Nail**



CATALOG DRAWING (FOR REFERENCE ONLY)



ORDERING INFORMATION AND DIMENSIONS

Circuits	Order No.			Dimension		
	Tin	15μ" Gold	30μ" Gold	A	B	C
2	43045-0218	43045-0219	43045-0220	6.65 (.262)		11.20 (.441)
4	43045-0418	43045-0419	43045-0420	9.65 (.380)	3.00 (.118)	14.20 (.559)
6	43045-0618	43045-0619	43045-0620	12.65 (.498)	6.00 (.236)	17.20 (.677)
8	43045-0818	43045-0819	43045-0820	15.65 (.616)	9.00 (.354)	20.20 (.795)
10	43045-1018	43045-1019	43045-1020	18.65 (.734)	12.00 (.472)	23.20 (.913)
12	43045-1218	43045-1219	43045-1220	21.65 (.852)	15.00 (.591)	26.20 (1.031)
14	43045-1418	43045-1419	43045-1420	24.65 (.970)	18.00 (.709)	29.20 (1.150)
16	43045-1618	43045-1619	43045-1620	27.65 (1.088)	21.00 (.827)	32.20 (1.268)
18	43045-1818	43045-1819	43045-1820	30.65 (1.206)	24.00 (.945)	35.20 (1.386)
20	43045-2018	43045-2019	43045-2020	33.65 (1.325)	27.00 (1.063)	38.20 (1.504)
22	43045-2218	43045-2219	43045-2220	36.65 (1.443)	30.00 (1.181)	41.20 (1.622)
24	43045-2418	43045-2419	43045-2420	39.65 (1.561)	33.00 (1.299)	44.20 (1.740)